

# PNEUMATIC INDUSTRIAL GRIPPERS

## 2-Jaw General Industrial Grippers | Product Overview

Model	Stroke mm [in]	Grip Force N [lbs]	Operating Environment	Special Features	Page GR-GEN-#	
CP		4-32 [0.16-1.26]	60-2749 [13-618]	IP54	Compact Design with High Grip Force.	3
DPDL		4.8-50.8 [0.188-2]	62-1779 [14-400]	IP66 Using Purge Port & Boot Option. Clean Room Class 10, ISO 4 Using Scavenge Port	Sealed Gripper. Dirty and Caustic Environments. Wide Range of Sizes. <b>DIRECTCONNECT</b>	11
DPDS		4.8-50.8 [0.188-2]	62-1779 [14-400]	IP54 Using Purge Port. Clean Room Class 100, ISO 5 Using Scavenge Port	Rugged General Purpose Applications. Wide Range of Sizes. <b>DIRECTCONNECT</b>	19
DPG		6.35-25.4 [0.25-1.0]	222-249 [50-56]	IP54. Clean Room Class 100, ISO 5	8 Position Sensing General Purpose Gripper. Multiple Mounting/Porting Options. <b>DIRECTCONNECT</b>	27
RDH		4-70 [0.16-2.73]	361-28002 [81-6300]	IP55 Using Purge Port. Clean Room Class 100, ISO 5 Using Scavenge Port	Highest Force vs. Size & Weight. Wide Range of Sizes. High Precision. Long Fingers. Rugged Applications	31
REP2		10-30 [0.39-1.181]	480-3268 [108-753]	IP55. Class 100, ISO 5 Using Scavenge Port	Spring Assist. Rugged and Harsh Environments. High Precision.	41
RP		4.0-50.8 [0.16-2]	156-3336 [35-750]	IP43	Small General Purpose. Rugged Applications. Wide Range of Sizes. Cost Effective	47, 51
RPM		3.2-6.3 [0.13-0.25]	36 [8]	IP33	Smallest Gripper, Low Friction, Small Parts Handling.	59
RPMC		3.2-6.3 [0.13-0.25]	36 [8]	IP64 Using Purge Port. Clean Room Class 10, ISO 4 Using Scavenge Port	Smallest Shielded Gripper for Clean or Harsh Environments. Small Delicate Parts Handling.	59
RPS		4-43 [0.16-1.7]	222-2669 [50-600]	IP43	Spring Assist, General Purpose Gripper. Rugged Applications. Wide Range of Sizes. Cost Effective	63

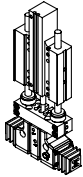
# PNEUMATIC INDUSTRIAL GRIPPERS

## 2-Jaw General Industrial Grippers | DIRECTCONNECT™ Mounting Compatibility Chart

### DIRECTCONNECT Modular Direct Mounting System without Adapter Plates

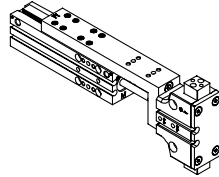
Products can be mounted in multiple positions. Refer to datasheet for complete info.

#### Slide to Gripper



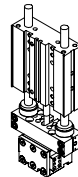
DLT Thruster Slide to DPDL Parallel Gripper

#### Slide to Gripper



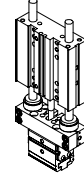
DLM Thruster Slide to DPDL Parallel Gripper

#### Slide to Gripper



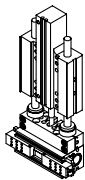
DLT Thruster Slide to DPDS Parallel Gripper

#### Slide to Gripper



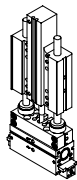
DLT Thruster Slide to DPDS Parallel Gripper

#### Slide to Gripper



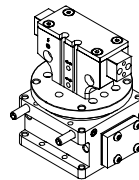
DLT Thruster Slide to DPG Parallel Gripper

#### Slide to Gripper



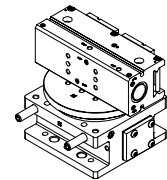
DLT Thruster Slide to DPG Parallel Gripper

#### Rotary to Gripper



DRF Rotary Actuator to DPDL Parallel Gripper

#### Rotary to Gripper



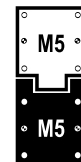
DRF Rotary Actuator to DPG Parallel Gripper

## DIRECTCONNECT™ Mounting Compatibility Chart

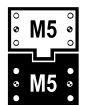
DESTACO's DIRECTCONNECT™ technology, allows all components of the system—grippers, rotaries and slides—to be mounted together directly. Look for matching icons on product datasheets for mounting compatibility.

**Note:** The numbers in the cell represent the metric screw size and basic mounting pattern.

S=Square, R=Rectangle. ie; 5S = M5 Screw with square mounting pattern.



5S



5R

Catalog Models		Mounting Compatibility						
		DPDS-047, 056	DPDS-088, 125	DPDS-175, 250	DPDL-047, 056	DPDL-088, 125	DPDL-175, 250	DPG
Base Slides	DLB-06,08		3R			3R		
	DLB-10,12,16	5R		5R			5R	5R
	DLB-20,25				10R			
Thruster Slides	DLT-06,08		3R			3R		
	DLT-10,12,16	5R	3R	5R		3R	5R	5R
	DLT-20,25	5R		5R	10R		5R	5R
	DLM-07		3R			3R		
	DLM-9,12	5R	3R	5R		3R	5R	5R
Rotary Actuators	DRF-075,094	5R	3R	5R		3R	5R	5R
	DRF-106	5R	3R	5R		3R	5R	5R
	DRF-131	5R		5R	10R		5R	5R

# CP SERIES

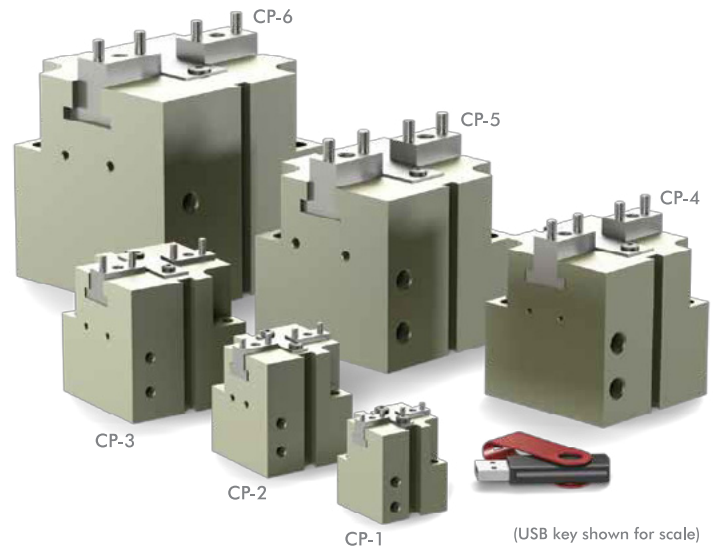
## 2-Jaw General Industrial Grippers | Features and Benefits | How To Order

### Features:

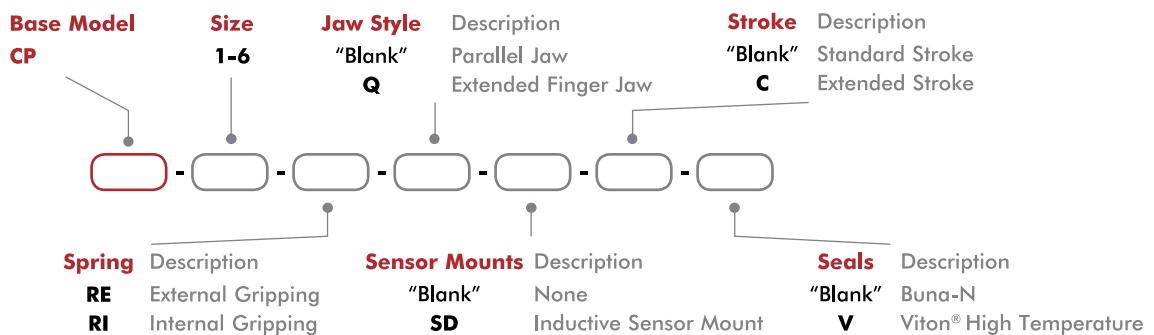
- Compact cam lever design general purpose square gripper
- Two jaw styles available, parallel or extended finger jaw
- Spring assist option for part retention in case of air pressure loss
- Standard and extended stroke option available
- Shielded design for harsh environments
- Magneto-resistive and Inductive sensing

### Applications:

- OEM pick and place machines
- Packaging applications
- General purpose gripping



### How To Order



### Accessories

Sensor Accessories	Model Numbers	Part Number	Qty/Unit
PNP Sensor with 0.3m Output Cable with 90° with M8 connector*	All Models	D1	1-2
NPN Sensor with 0.3m Output Cable with 90° with M8 connector*	CP-2, -3, -4, -5, -6	D10	1-2
PNP Sensor with 0.3m Output Cable with M8 connector*	All Models	D4	1-2
NPN Sensor with 0.3m Output Cable with M8 connector*	CP-2, -3, -4, -5, -6	D7	1-2
Inductive Sensor Mounting Kit (mounts 2 sensors) (SD)	See Datasheet		1
Inductive PNP Sensor with M8 Connector*	CP-2, -3, -4	OISP-011-C	1-2
Inductive NPN Sensor with M8 Connector*	CP-2, -3, -4	OISN-011-C	1-2
Inductive PNP Sensor with M12 Connector*	CP-5, -6	OISP-017-C	1-2
Inductive NPN Sensor with M12 Connector*	CP-5, -6	OISN-017-C	1-2
M8 Quick Disconnect 2 Meter Cable Length*	All Models	CABL-010	1-2
M12 Quick Disconnect 2 Meter Cable Length*	All Models	CABL-014	1-2

\*Sensor and cable sold separately.



GR-GEN-3

Dimensions and technical information are subject to change without notice

## CP SERIES

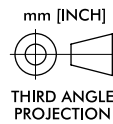
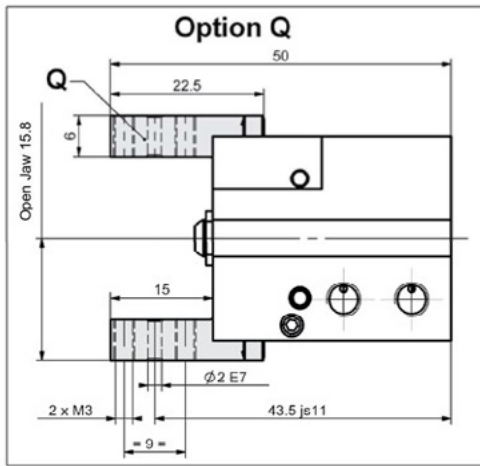
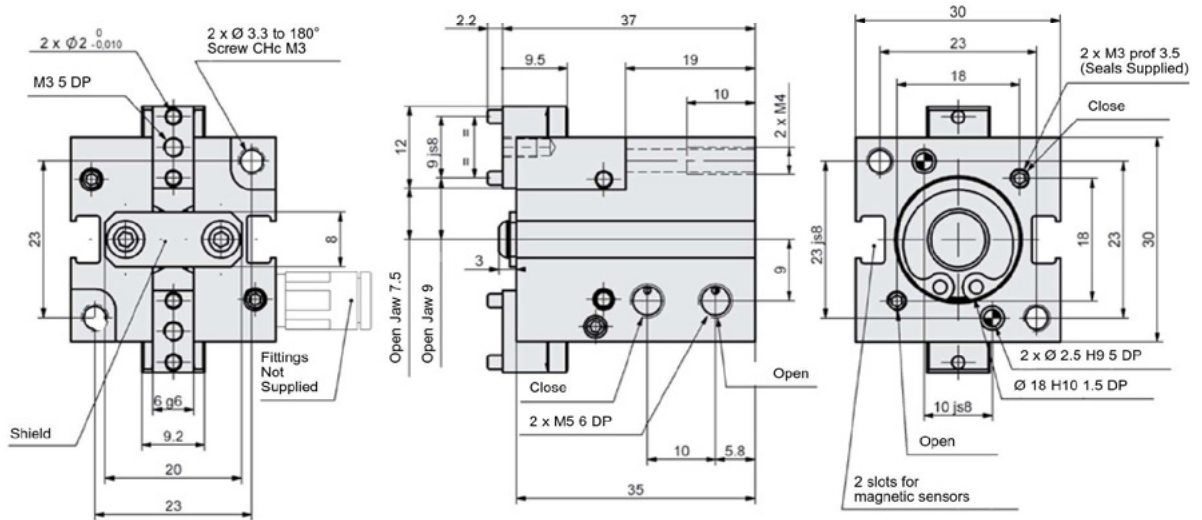
### 2-Jaw General Industrial Grippers | Technical Specifications

Specifications	Units	1	1-C	2	2-C	3	3-C
Total Rated Grip Force <b>F</b> @ 100 psi [7 bar] w/o Spring Assist	N [lbs]	89 [20]	60 [13]	238 [53]	161 [36]	677 [152]	407 [91]
Total Rated Grip Force <b>F</b> @ 100 psi [7 bar] with Spring Assist	N [lbs]	15 [3]	10 [2]	43 [10]	29 [7]	161 [36]	97 [22]
Total Stroke	mm [in]	4 [0.16]	6 [0.24]	6 [0.24]	9 [0.35]	10 [0.39]	16 [0.63]
Weight	kg [lbs]	0.09 [0.20]	0.09 [0.20]	0.21 [0.46]	0.20 [0.44]	0.45 [0.99]	0.47 [1.04]
Pressure Range w/o Spring	bar [psi]	2-10 [29-145]					
Pressure Range with Spring	bar [psi]	2.5-10 [36-145]					
Ingress Protection Class (IP)		IP54					
Displacement	cm <sup>3</sup> [in <sup>3</sup> ]	0.7 [0.04]		2.7 [0.16]		11.7 [0.71]	
Temperature Range	°C [°F]	-35°~80° [-30°~180°]					
Actuation (open/close)	sec	0.06				0.07	
Repeatability	mm [in]	±0.025 [±0.001]					
Valve to Actuate Single Acting		3-way, 2-position					
Valve to Actuate Double Acting		4-way, 2-position					

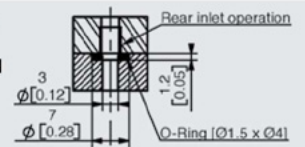
Specifications	Units	4	4-C	5	5-C	6	6-C
Total Rated Grip Force <b>F</b> @ 100 psi [7 bar] w/o Spring Assist	N [lbs]	1016 [228]	665 [149]	1591 [358]	1081 [243]	2749 [618]	2092 [470]
Total Rated Grip Force <b>F</b> @ 100 psi [7 bar] with Spring Assist	N [lbs]	222 [50]	145 [33]	322 [72]	219 [49]	711 [160]	541 [122]
Total Stroke	mm [in]	13 [0.51]	20 [0.79]	18 [0.71]	27 [1.06]	24 [0.94]	32 [1.26]
Weight	kg [lbs]	0.73 [1.61]	0.75 [1.65]	1.25 [2.76]	1.27 [2.80]	2.5 [5.51]	2.56 [5.64]
Pressure Range w/o Spring	bar [psi]	2-10 [29-145]					
Pressure Range with Spring	bar [psi]	2.5-10 [36-145]					
Ingress Protection Class (IP)		IP54					
Displacement	cm <sup>3</sup> [in <sup>3</sup> ]	24.2 [1.48]		53.5 [3.26]		114.8 [7.01]	
Temperature Range	°C [°F]	-35°~80° [-30°~180°]					
Actuation (open/close)	sec	0.07		0.09		0.12	
Repeatability	mm [in]	±0.025 [±0.001]					
Valve to Actuate Single Acting		3-way, 2-position					
Valve to Actuate Double Acting		4-way, 2-position					

# CP-1, CP-1-C

## 2-Jaw General Industrial Grippers | Dimensions and Technical Specifications

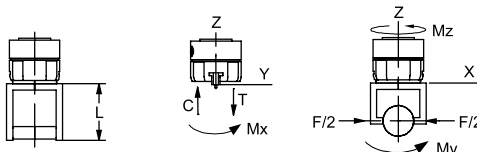
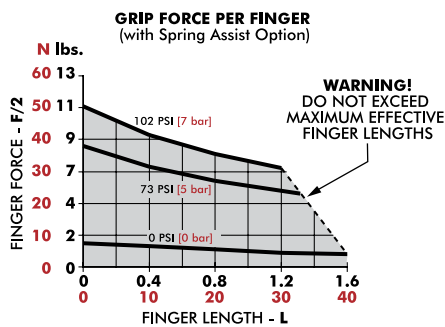


Grippers are supplied with open side air ports and top manifold air ports plugged. Top manifold sealing dimensions shown.



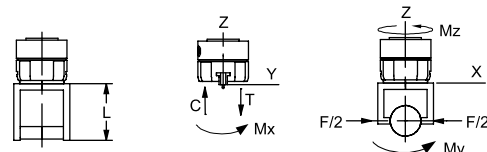
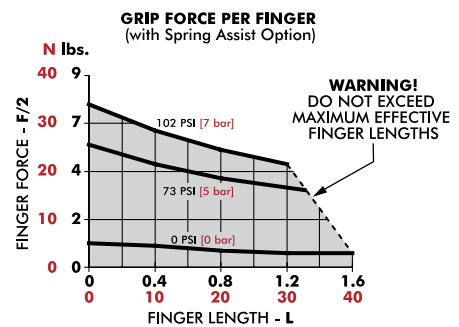
Seal Repair Kits	CP-1
Buna-N Seal Repair Kit	SCP1
Viton® Seal Repair Kit	SCP1V
Repair Kit (screws, springs, Buna-N seals)	KSCP1
Repair Kit (screws, springs, Viton® Seals)	KSCP1V

### Loading Information



CP-1	Static	Dynamic
Maximum Tensile <b>T</b>	110 N [25 lbs]	10 N [2 lbs]
Maximum Compressive <b>C</b>	190 N [43 lbs]	10 N [2 lbs]
Maximum Moment <b>M<sub>x</sub></b>	1 Nm [9 in-lbs]	0.2 Nm [2 in-lbs]
Maximum Moment <b>M<sub>y</sub></b>	2 Nm [18 in-lbs]	0.4 Nm [4 in-lbs]
Maximum Moment <b>M<sub>z</sub></b>	2 Nm [18 in-lbs]	0.4 Nm [4 in-lbs]

<sup>†</sup>Capacities are per set of jaws and are not simultaneous



CP-1-C	Static	Dynamic
Maximum Tensile <b>T</b>	110 N [25 lbs]	8 N [2 lbs]
Maximum Compressive <b>C</b>	190 N [43 lbs]	8 N [2 lbs]
Maximum Moment <b>M<sub>x</sub></b>	1 Nm [9 in-lbs]	0.2 Nm [2 in-lbs]
Maximum Moment <b>M<sub>y</sub></b>	2 Nm [18 in-lbs]	0.3 Nm [3 in-lbs]
Maximum Moment <b>M<sub>z</sub></b>	2 Nm [18 in-lbs]	0.3 Nm [3 in-lbs]

<sup>†</sup>Capacities are per set of jaws and are not simultaneous

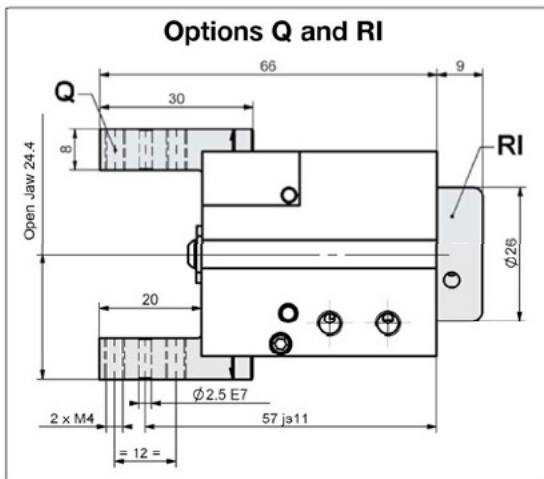
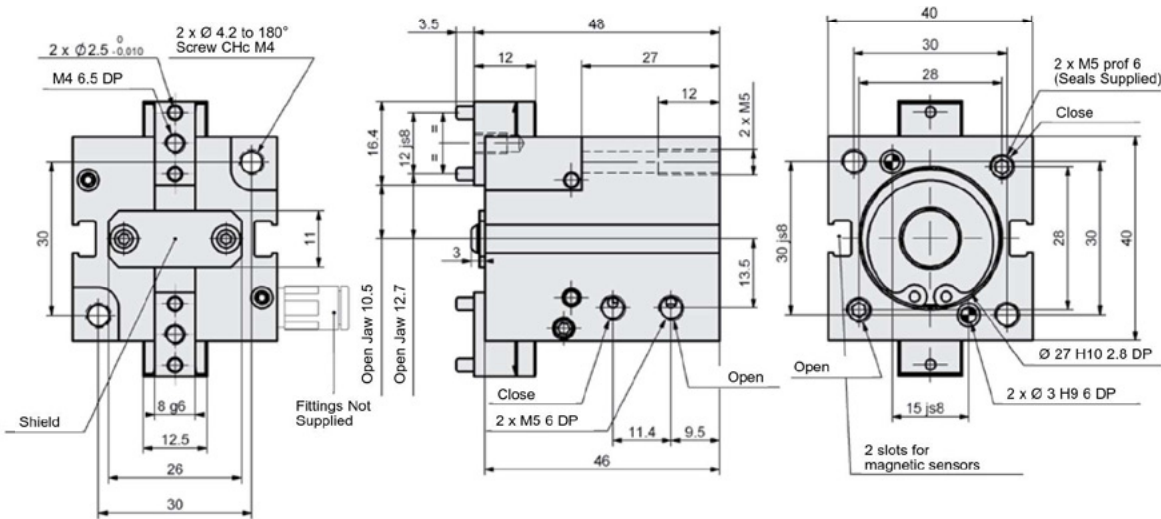


GR-GEN-5

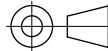
Dimensions and technical information are subject to change without notice

# CP-2, CP-2-C

## 2-Jaw General Industrial Grippers | Dimensions and Technical Specifications

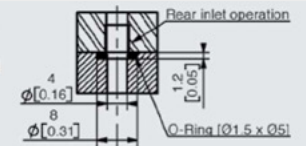


mm [INCH]



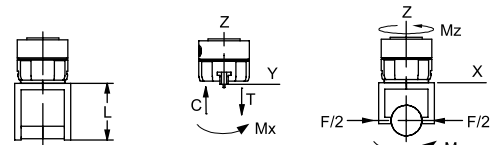
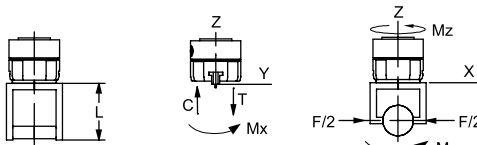
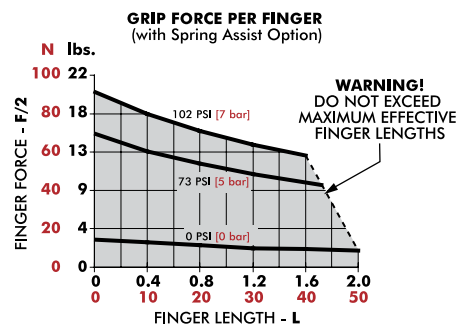
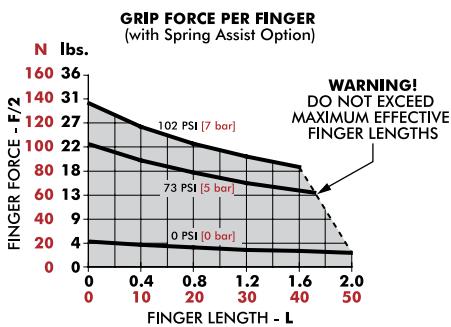
THIRD ANGLE PROJECTION

Grippers are supplied with open side air ports and top manifold air ports plugged. Top manifold sealing dimensions shown.



Sensor Accessories	CP-2
Inductive Sensor Mounting Kit (mounts 2 sensors) (SD)	SDCP2
Seal Repair Kits	CP-2
Buna-N Seal Repair Kit	SCP2
Viton® Seal Repair Kit	SCP2V
Repair Kit (screws, springs, Buna-N seals)	KSCP2
Repair Kit (screws, springs, Viton® Seals)	KSCP2V

## Loading Information



CP-2	Static	Dynamic
Maximum Tensile <b>T</b>	260 N [58 lbs]	26 N [6 lbs]
Maximum Compressive <b>C</b>	375 N [84 lbs]	26 N [6 lbs]
Maximum Moment <b>M<sub>x</sub></b>	5 Nm [44 in-lbs]	0.9 Nm [8 in-lbs]
Maximum Moment <b>M<sub>y</sub></b>	8 Nm [71 in-lbs]	1.5 Nm [13 in-lbs]
Maximum Moment <b>M<sub>z</sub></b>	8 Nm [71 in-lbs]	1.5 Nm [13 in-lbs]

<sup>t</sup>Capacities are per set of jaws and are not simultaneous

CP-2-C	Static	Dynamic
Maximum Tensile <b>T</b>	260 N [58 lbs]	22 N [5 lbs]
Maximum Compressive <b>C</b>	375 N [84 lbs]	22 N [5 lbs]
Maximum Moment <b>M<sub>x</sub></b>	4 Nm [35 in-lbs]	0.7 Nm [6 in-lbs]
Maximum Moment <b>M<sub>y</sub></b>	8 Nm [71 in-lbs]	1.2 Nm [11 in-lbs]
Maximum Moment <b>M<sub>z</sub></b>	8 Nm [71 in-lbs]	1.2 Nm [11 in-lbs]

<sup>t</sup>Capacities are per set of jaws and are not simultaneous

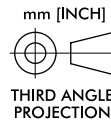
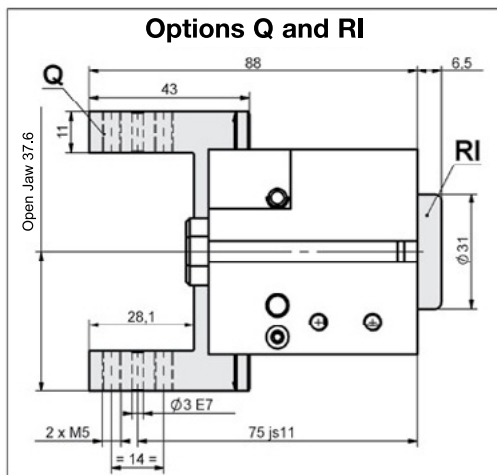
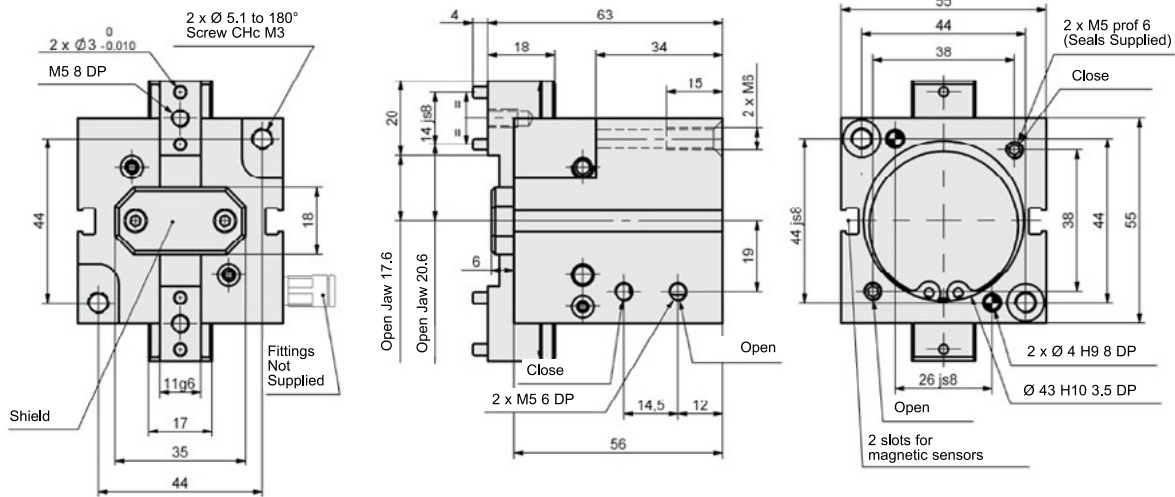
Dimensions and technical information are subject to change without notice

GR-GEN-6

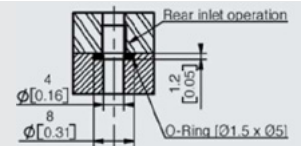


# CP-3, CP-3-C

## 2-Jaw General Industrial Grippers | Dimensions and Technical Specifications

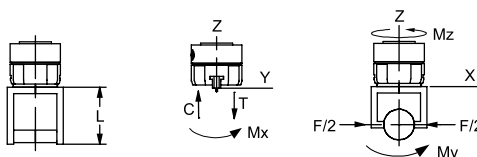
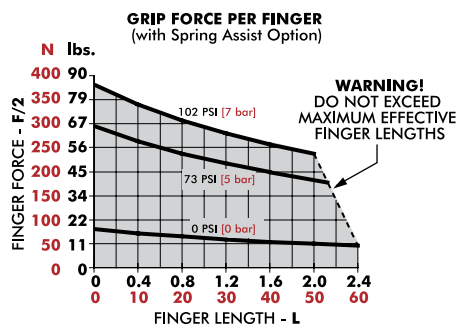


Grippers are supplied with open side air ports and top manifold air ports plugged. Top manifold sealing dimensions shown.



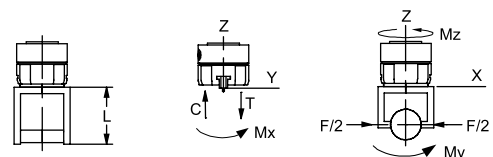
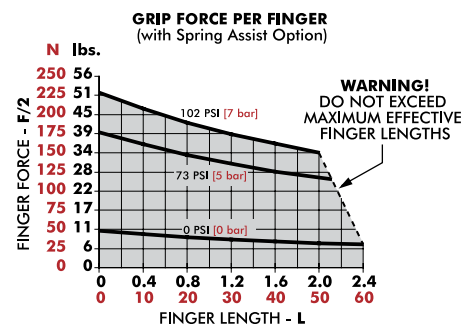
Sensor Accessories	CP-3
Inductive Sensor Mounting Kit (mounts 2 sensors) (SD)	SDCP3
Seal Repair Kits	CP-3
Buna-N Seal Repair Kit	SCP3
Viton® Seal Repair Kit	SCP3V
Repair Kit (screws, springs, Buna-N seals)	KSCP3
Repair Kit (screws, springs, Viton® Seals)	KSCP3V

## Loading Information



CP-3	Static	Dynamic
Maximum Tensile <b>T</b>	520 N [117 lbs]	72 N [16 lbs]
Maximum Compressive <b>C</b>	690 N [155 lbs]	72 N [16 lbs]
Maximum Moment <b>M<sub>x</sub></b>	11 Nm [97 in-lbs]	3.5 Nm [31 in-lbs]
Maximum Moment <b>M<sub>y</sub></b>	18 Nm [159 in-lbs]	6 Nm [53 in-lbs]
Maximum Moment <b>M<sub>x</sub></b>	17 Nm [150 in-lbs]	6 Nm [53 in-lbs]

\*Capacities are per set of jaws and are not simultaneous



CP-3-C	Static	Dynamic
Maximum Tensile <b>T</b>	500 N [112 lbs]	55 N [12 lbs]
Maximum Compressive <b>C</b>	675 N [152 lbs]	55 N [12 lbs]
Maximum Moment <b>M<sub>x</sub></b>	9 Nm [80 in-lbs]	2.5 Nm [22 in-lbs]
Maximum Moment <b>M<sub>y</sub></b>	16 Nm [142 in-lbs]	4 Nm [35 in-lbs]
Maximum Moment <b>M<sub>x</sub></b>	17 Nm [150 in-lbs]	4 Nm [35 in-lbs]

\*Capacities are per set of jaws and are not simultaneous

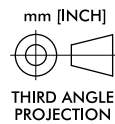
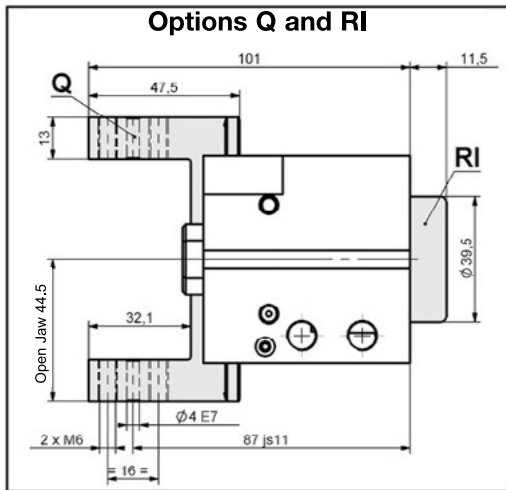
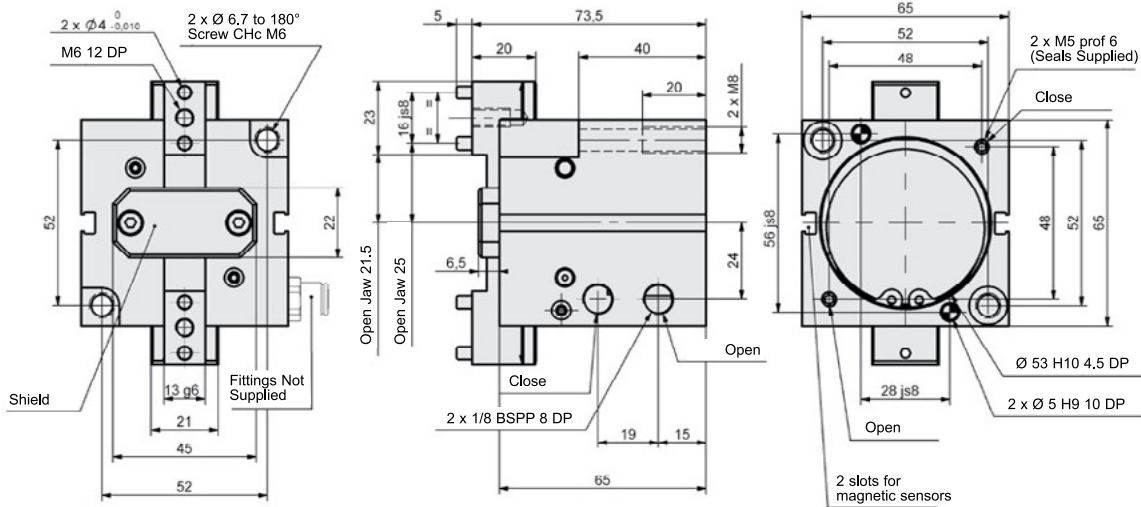


GR-GEN-7

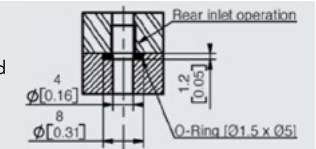
Dimensions and technical information are subject to change without notice

# CP-4, CP-4-C

## 2-Jaw General Industrial Grippers | Dimensions and Technical Specifications



Grippers are supplied with open side air ports and top manifold air ports plugged. Top manifold sealing dimensions shown.

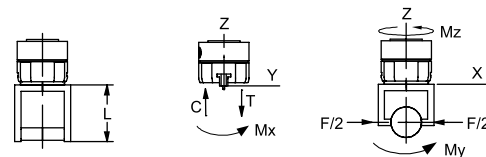
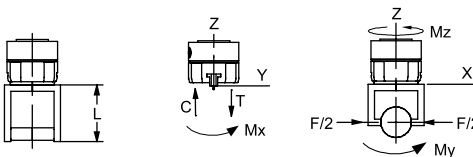
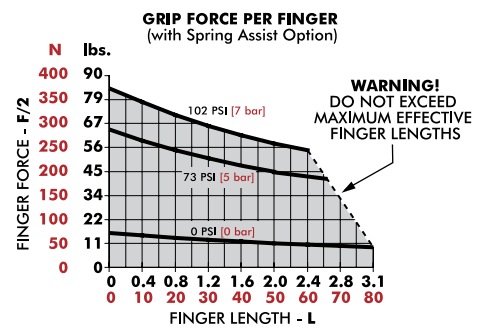
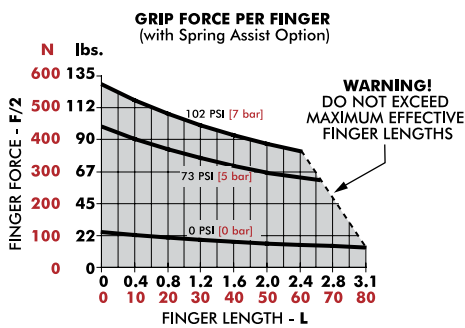


Sensor Accessories	CP-4
Inductive Sensor Mounting Kit (mounts 2 sensors) (SD)	SDCP4

Seal Repair Kits	CP-4
Buna-N Seal Repair Kit	SCP4
Viton® Seal Repair Kit	SCP4V
Repair Kit (screws, springs, Buna-N seals)	KSCP4
Repair Kit (screws, springs, Viton® Seals)	KSCP4V

## Loading Information



CP-4	Static	Dynamic
Maximum Tensile <b>T</b>	740 N [166 lbs]	109 N [24 lbs]
Maximum Compressive <b>C</b>	830 N [187 lbs]	109 N [24 lbs]
Maximum Moment <b>M<sub>x</sub></b>	23 Nm [204 in-lbs]	6.5 Nm [58 in-lbs]
Maximum Moment <b>M<sub>y</sub></b>	35 Nm [310 in-lbs]	10 Nm [89 in-lbs]
Maximum Moment <b>M<sub>x</sub></b>	25 Nm [221 in-lbs]	8 Nm [71 in-lbs]

<sup>†</sup>Capacities are per set of jaws and are not simultaneous

CP-4-C	Static	Dynamic
Maximum Tensile <b>T</b>	710 N [160 lbs]	89 N [20 lbs]
Maximum Compressive <b>C</b>	800 N [180 lbs]	89 N [20 lbs]
Maximum Moment <b>M<sub>x</sub></b>	18 Nm [159 in-lbs]	4.7 Nm [42 in-lbs]
Maximum Moment <b>M<sub>y</sub></b>	30 Nm [266 in-lbs]	7.6 Nm [67 in-lbs]
Maximum Moment <b>M<sub>x</sub></b>	25 Nm [221 in-lbs]	7.6 Nm [67 in-lbs]

<sup>†</sup>Capacities are per set of jaws and are not simultaneous

Dimensions and technical information are subject to change without notice

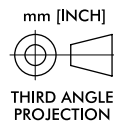
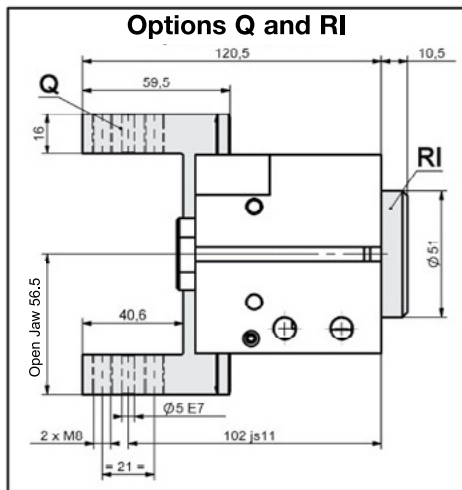
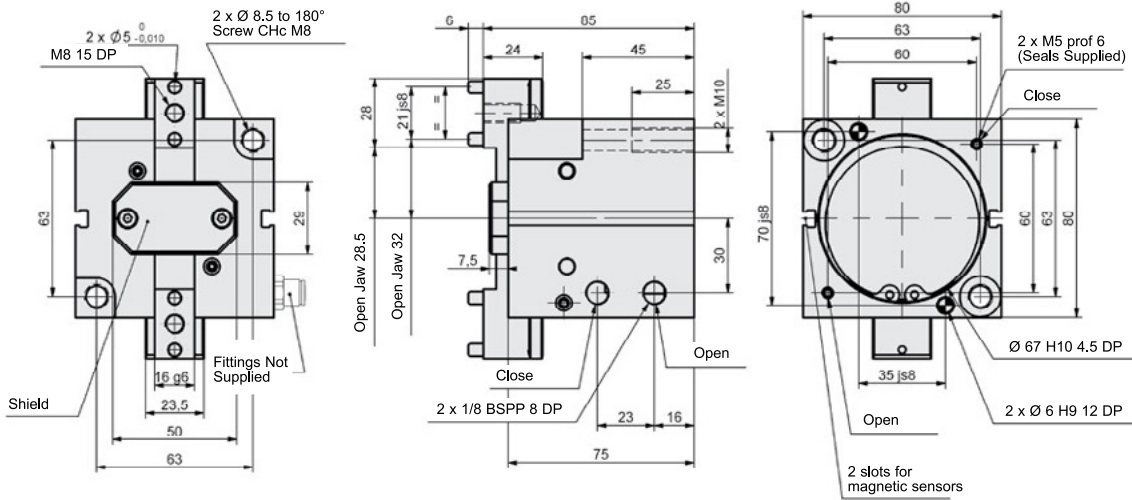
GR-GEN-8



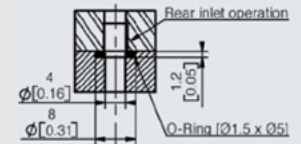


# CP-5, CP-5-C

## 2-Jaw General Industrial Grippers | Dimensions and Technical Specifications

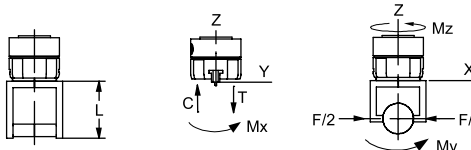
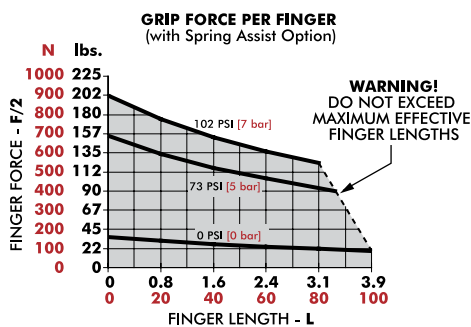


Grippers are supplied with open side air ports and top manifold air ports plugged. Top manifold sealing dimensions shown.



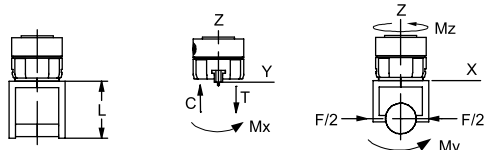
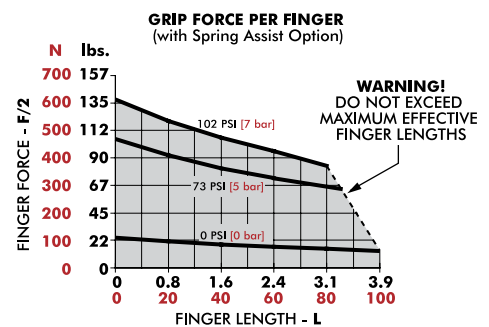
Sensor Accessories	CP-5
Inductive Sensor Mounting Kit (mounts 2 sensors) (SD)	SDCP5
Seal Repair Kits	CP-5
Buna-N Seal Repair Kit	SCP5
Viton® Seal Repair Kit	SCP5V
Repair Kit (screws, springs, Buna-N seals)	KSCP5
Repair Kit (screws, springs, Viton® Seals)	KSCP5V

## Loading Information



CP-5	Static	Dynamic
Maximum Tensile <b>T</b>	830 N [187 lbs]	169 N [38 lbs]
Maximum Compressive <b>C</b>	940 N [211 lbs]	169 N [38 lbs]
Maximum Moment <b>M<sub>x</sub></b>	27 Nm [6 in-lbs]	9 Nm [80 in-lbs]
Maximum Moment <b>M<sub>y</sub></b>	44 Nm [10 in-lbs]	14 Nm [124 in-lbs]
Maximum Moment <b>M<sub>z</sub></b>	30 Nm [7 in-lbs]	10 Nm [89 in-lbs]

<sup>1</sup>Capacities are per set of jaws and are not simultaneous



CP-5-C	Static	Dynamic
Maximum Tensile <b>T</b>	820 N [184 lbs]	144 N [32 lbs]
Maximum Compressive <b>C</b>	930 N [209 lbs]	144 N [32 lbs]
Maximum Moment <b>M<sub>x</sub></b>	22 Nm [195 in-lbs]	7 Nm [62 in-lbs]
Maximum Moment <b>M<sub>y</sub></b>	40 Nm [354 in-lbs]	13 Nm [115 in-lbs]
Maximum Moment <b>M<sub>z</sub></b>	30 Nm [266 in-lbs]	10 Nm [89 in-lbs]

<sup>1</sup>Capacities are per set of jaws and are not simultaneous

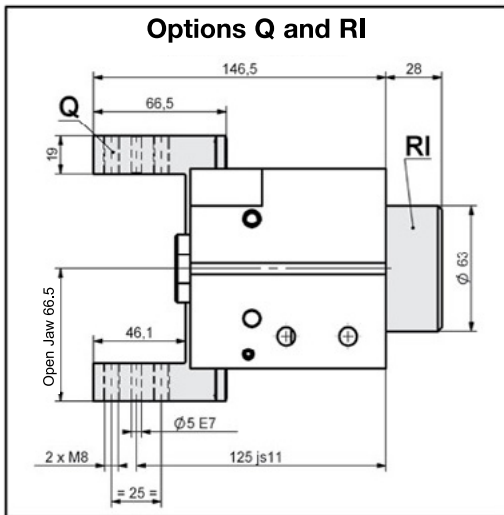
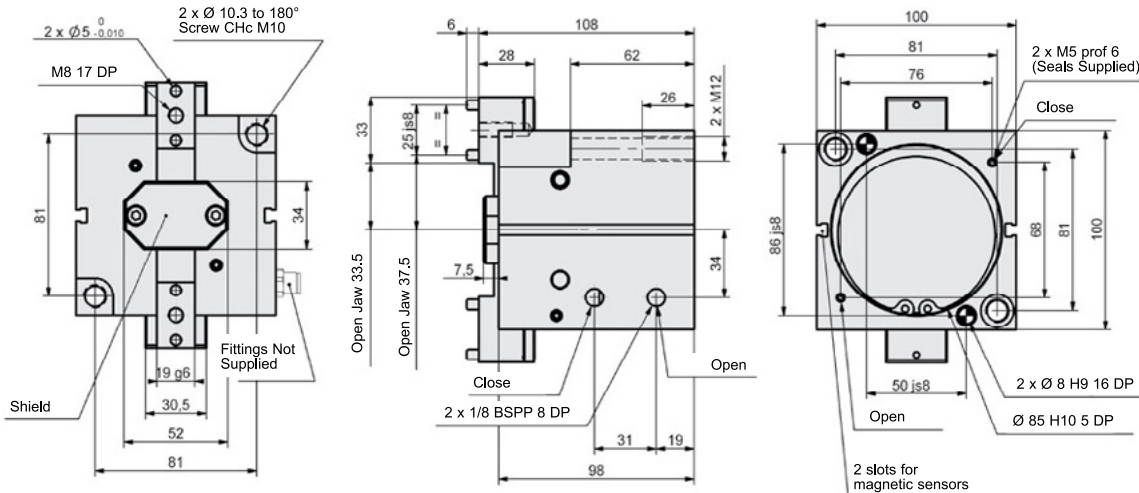


GR-GEN-9

Dimensions and technical information are subject to change without notice

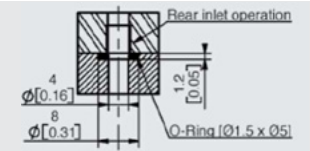
# CP-6, CP-6-C

## 2-Jaw General Industrial Grippers | Dimensions and Technical Specifications



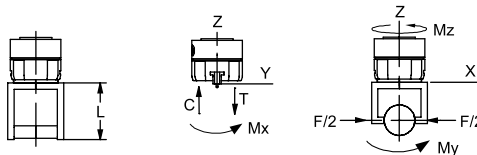
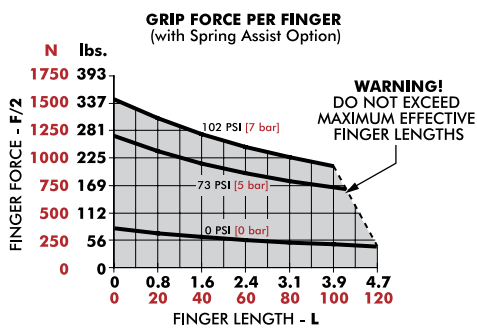
mm [INCH]  
THIRD ANGLE PROJECTION

Grippers are supplied with open side air ports and top manifold air ports plugged. Top manifold sealing dimensions shown.



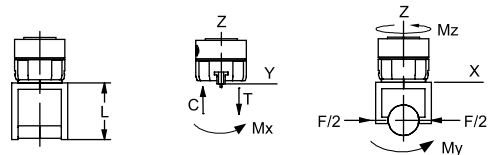
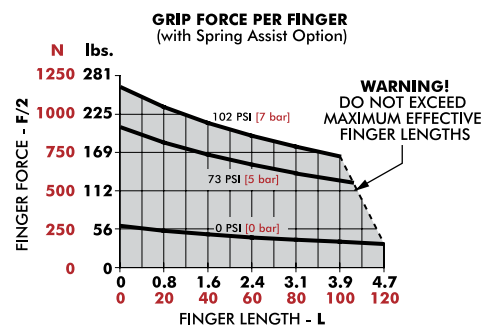
Sensor Accessories	CP-6
Inductive Sensor Mounting Kit (mounts 2 sensors) (SD)	SDCP6
Seal Repair Kits	CP-6
Buna-N Seal Repair Kit	SCP6
Viton® Seal Repair Kit	SCP6V
Repair Kit (screws, springs, Buna-N seals)	KSCP6
Repair Kit (screws, springs, Viton® Seals)	KSCP6V

## Loading Information



CP-6	Static	Dynamic
Maximum Tensile <b>T</b>	1375 N [309 lbs]	209 N [47 lbs]
Maximum Compressive <b>C</b>	1500 N [337 lbs]	209 N [47 lbs]
Maximum Moment <b>M<sub>x</sub></b>	48 Nm [11 in-lbs]	16 Nm [142 in-lbs]
Maximum Moment <b>M<sub>y</sub></b>	72 Nm [16 in-lbs]	24 Nm [212 in-lbs]
Maximum Moment <b>M<sub>z</sub></b>	68 Nm [15 in-lbs]	22 Nm [195 in-lbs]

\*Capacities are per set of jaws and are not simultaneous



CP-6-C	Static	Dynamic
Maximum Tensile <b>T</b>	1340 N [301 lbs]	279 N [63 lbs]
Maximum Compressive <b>C</b>	1450 N [326 lbs]	279 N [63 lbs]
Maximum Moment <b>M<sub>x</sub></b>	42 Nm [372 in-lbs]	14 Nm [124 in-lbs]
Maximum Moment <b>M<sub>y</sub></b>	70 Nm [620 in-lbs]	23 Nm [204 in-lbs]
Maximum Moment <b>M<sub>z</sub></b>	64 Nm [566 in-lbs]	21 Nm [186 in-lbs]

\*Capacities are per set of jaws and are not simultaneous

Dimensions and technical information are subject to change without notice

GR-GEN-10



# DPDL SERIES

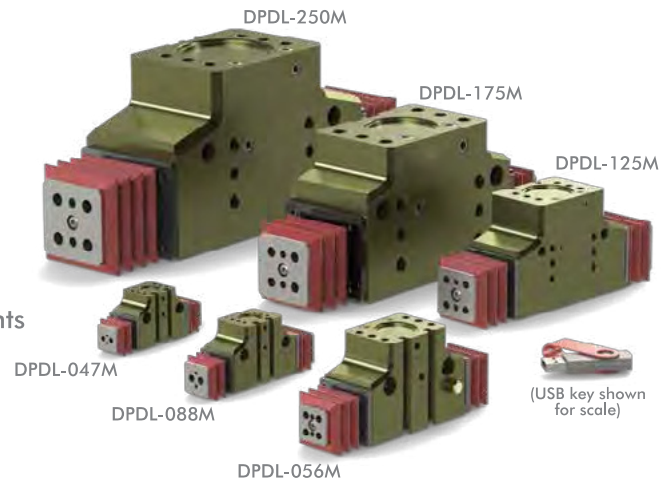
## 2-Jaw General Industrial Grippers | Features and Benefits | How To Order

### Features:

- Rugged general purpose modular gripper
- High impact resistance with double wedge design
- Harsh environments with sealed rubber boot jaw option
- Thru-body mounting and multiple mounting features simplifies installation
- Multiple air ports support manifold interface using O-rings
- Purge and scavenge ports for harsh & clean environments

### Applications:

- Use in machine coolant and metal chip environment applications
- High impact applications
- Paintbooths, sandblasting applications



### How To Order

<b>Base Model</b>	<b>Size</b>	<b>Jaw Mounting</b>	<b>Description</b>	<b>Hardware</b>	<b>Description</b>
<b>DPDL</b>	<b>047M 125M</b> <b>056M 175M</b> <b>088M 250M</b>	<b>"Blank"</b> <b>B</b>	End Jaw Mounting Bottom Jaw Mounting	<b>"Blank"</b> <b>S</b> <b>CR</b>	Alloy Corrosion Resistant Corrosion Resistant with Clean Room Grade Grease
			<b>Jaw Seal</b>	<b>Seals</b>	<b>Description</b>
			<b>E</b>	<b>"Blank"</b> <b>V</b>	Buna-N Rubber Bellows Buna-N Viton® High Temperature

<b>Stroke</b>	Stroke varies with size of gripper								
047M	<b>019, 025 or 038</b>	125M	<b>050, 075 or 100</b>	<b>019</b>	4.8mm [0.19]	<b>050</b>	12.7mm [0.50]	<b>150</b>	38.1mm [1.50]
056M	<b>025, 038 or 050</b>	175M	<b>075, 100 or 150</b>	<b>025</b>	6.4mm [0.25]	<b>075</b>	19.1mm [0.75]	<b>200</b>	50.8mm [2.00]
088M	<b>038, 050 or 075</b>	250M	<b>100, 150 or 200</b>	<b>038</b>	9.5mm [0.38]	<b>100</b>	25.4mm [1.00]		

### Accessories

Sensor Accessories	Model Numbers	Part Number	Qty/Unit
PNP Magneto Resistive Sensor with Quick Disconnect*	047M, 056M, 088M, 125M	OHSP-017	1-2
NPN Magneto Resistive Sensor with Quick Disconnect*	047M, 056M, 088M, 125M	OHSN-017	1-2
PNP Magneto Resistive Sensor with Quick Disconnect*	175M, 250M	OHSP-015	1-2
NPN Magneto Resistive Sensor with Quick Disconnect*	175M, 250M	OHSN-015	1-2
PNP Magneto Resistive Sensor (90° barrel) w/Qk. Disc.*	047M, 056M, 088M, 125M	OHSP-011	1-2
NPN Magneto Resistive Sensor (90° barrel) w/Qk. Disc.*	047M, 056M, 088M, 125M	OHSN-011	1-2
Quick Disconnect 2 Meter Cable Length*	All Models	CABL-010	1-2
Quick Disconnect 5 Meter Cable Length*	All Models	CABL-013	1-2

Pneumatic Accessories	Model Numbers	Part Number	Qty/Unit
Plumbing Fitting - M3 male to 3mm OD Tube Push-in Style	047M, 056M	PLFT-021	1-2
Plumbing Fitting - M3 male to 2mm ID Tube Barb Style	047M, 056M	PLFT-022	1-2
Plumbing Fitting - 1/8 NPT Male to 1/8 BSPP Female	125M, 250M	PLFT-028	1-2
Adjustable Flow Control G 1/8 Elbow - 6mm OD Push-in	125M, 250M	VLVF-005	1-2
Adjustable Flow Control M5 Elbow - 6mm OD Push-in	088M, 125M	VLVF-008	1-2
Fail Safe Valve M5	088M, 125M	OFSV-004	1
Fail Safe Valve G 1/8 (1/8 BSPP)	175M, 250M	OFSV-005	1

\*Sensor and cable sold separately.



GR-GEN-11

Dimensions and technical information are subject to change without notice

## DPDL SERIES

### 2-Jaw General Industrial Grippers | Technical Specifications

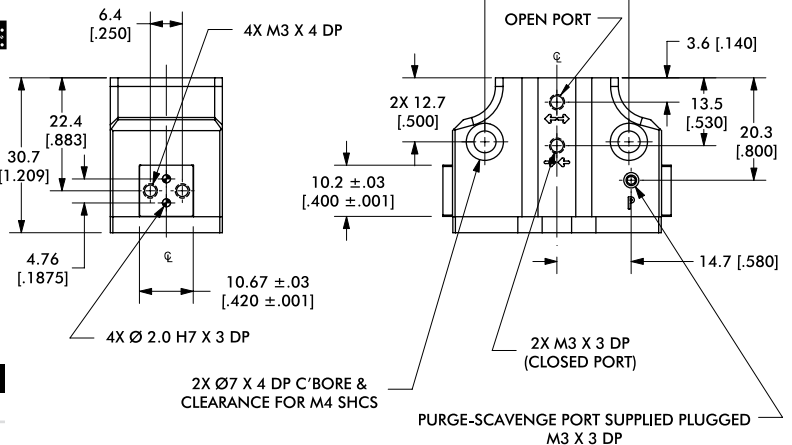
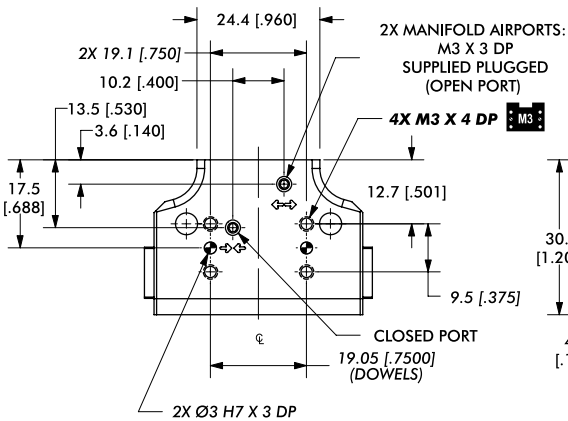
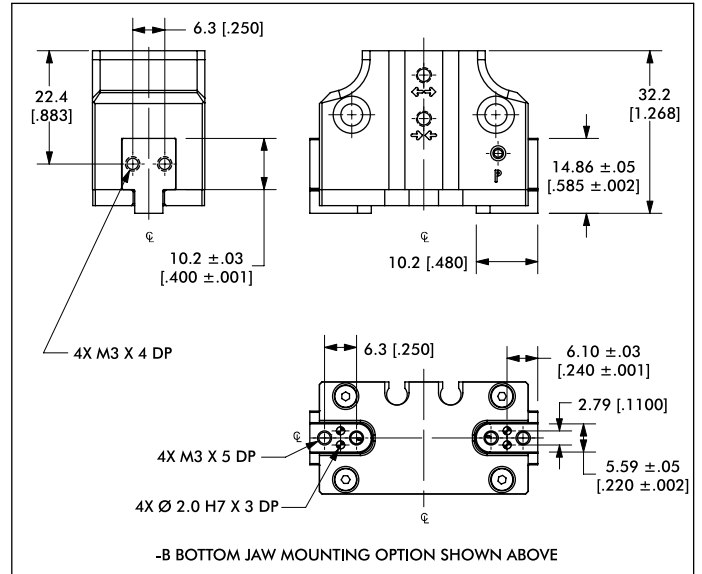
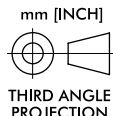
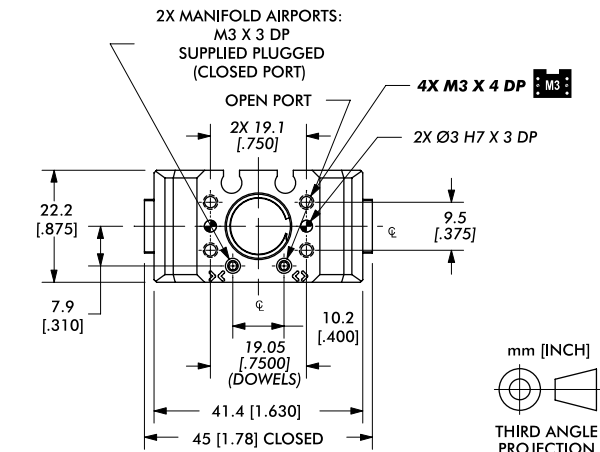
Specifications	Units	047M	056M	088M
Total Rated Grip Force <b>F</b> @ 100 psi	N [lbs]	62 [14]	98 [22]	222 [50]
Total Stroke	mm [in]	3.2 [0.13]	4.8 [0.19]	6.4 [0.25]
Weight	kg [lbs]	0.086 [0.04]	0.155 [0.07]	0.23 [0.51]
Pressure Range	bar [psi]	1.5-7 [20-100]		
Max. Vacuum for Scavenge Port	mm Hg [in. Hg]	200 [8]		
Max. Pressure for Purge Port	bar [psi]	1.4 [20]		
Ingress Protection Class (IP)		IP66		
Displacement	cm <sup>3</sup> [in <sup>3</sup> ]	0.2 [0.013]	0.5 [0.028]	1.5 [0.090]
Temperature Range (Buna-N seals)	°C [°F]	-35°~80° [-30°~180°]		
Temperature Range (Viton® seals)	°C [°F]	-30°~150° [-20°~300°]		
Actuation	sec	0.13	0.16	0.20
Accuracy	mm [in]	±0.05 [±0.002]		
Repeatability	mm [in]	±0.03 [±0.001]		
Valve to Actuate Double Acting		4-way, 2-position		

Specifications	Units	125M	175M	250M
Total Rated Grip Force <b>F</b> @ 100 psi	N [lbs]	445 [100]	890 [200]	1779 [400]
Total Stroke	mm [in]	9.5 [0.38]	12.7 [0.50]	19.1 [0.75]
Weight	kg [lbs]	0.46 [1.03]	1.68 [3.70]	2.76 [6.08]
Pressure Range	bar [psi]	1.5-7 [20-100]		
Max. Vacuum for Scavenge Port	mm Hg [in. Hg]	200 [8]		
Max. Pressure for Purge Port	bar [psi]	1.4 [20]		
Ingress Protection Class (IP)		IP66		
Displacement	cm <sup>3</sup> [in <sup>3</sup> ]	4.5 [0.274]	11.7 [0.717]	36.0 [2.194]
Temperature Range (Buna-N seals)	°C [°F]	-35°~80° [-30°~180°]		
Temperature Range (Viton® seals)	°C [°F]	-30°~150° [-20°~300°]		
Actuation	sec	0.30	0.40	0.50
Accuracy	mm [in]	±0.08 [±0.003]		
Repeatability	mm [in]	±0.03 [±0.001]		
Valve to Actuate Double Acting		4-way, 2-position		

# DPDL-047M, 047M-B

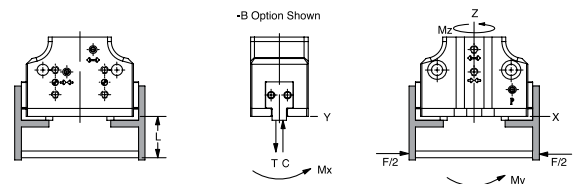
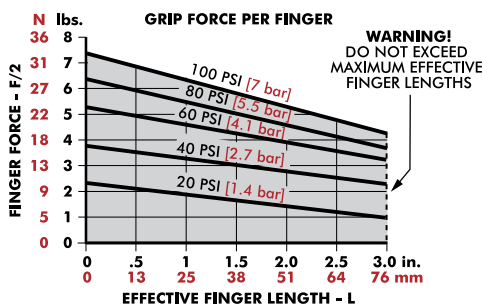


## 2-Jaw General Industrial Grippers | Dimensions and Technical Specifications



Seal Repair Kits	047M
Buna-N Seal Repair Kit	SLKT-185
Viton® Seal Repair Kit	SLKT-185V
Manifold Seal Kit (Viton® only)	SLKT-197V
Sealed Jaw Boot Replacement (1 Buna-N Boot only)	SLKT-191

### Loading Information



DPDL-047M	Static	Dynamic
Maximum Tensile <b>T</b>	445 N [100 lbs]	67 N [15 lbs]
Maximum Compressive <b>C</b>	668 N [150 lbs]	111 N [25 lbs]
Maximum Moment <b>M<sub>x</sub></b>	10 Nm [90 in-lbs]	2 Nm [15 in-lbs]
Maximum Moment <b>M<sub>y</sub></b>	10 Nm [90 in-lbs]	2 Nm [15 in-lbs]
Maximum Moment <b>M<sub>x</sub></b>	10 Nm [90 in-lbs]	2 Nm [15 in-lbs]

<sup>†</sup>Capacities are per set of jaws and are not simultaneous

DPDL-047M-B	Static	Dynamic
Maximum Tensile <b>T</b>	356 N [80 lbs]	53 N [12 lbs]
Maximum Compressive <b>C</b>	534 N [120 lbs]	89 N [20 lbs]
Maximum Moment <b>M<sub>x</sub></b>	8 Nm [72 in-lbs]	1 Nm [12 in-lbs]
Maximum Moment <b>M<sub>y</sub></b>	8 Nm [72 in-lbs]	1 Nm [12 in-lbs]
Maximum Moment <b>M<sub>x</sub></b>	8 Nm [72 in-lbs]	1 Nm [12 in-lbs]

<sup>†</sup>Capacities are per set of jaws and are not simultaneous



GR-GEN-13

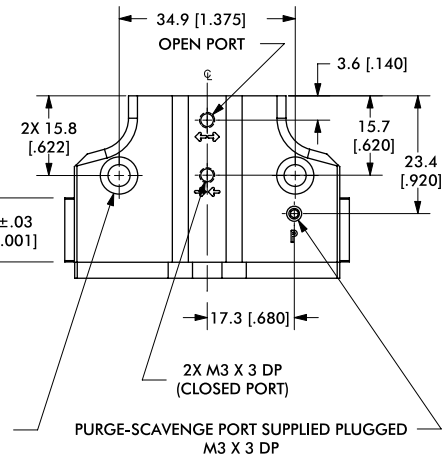
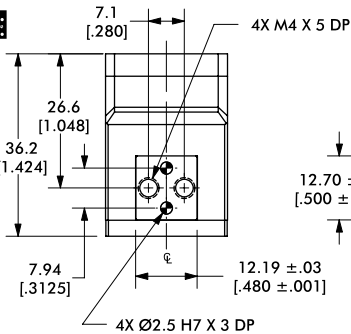
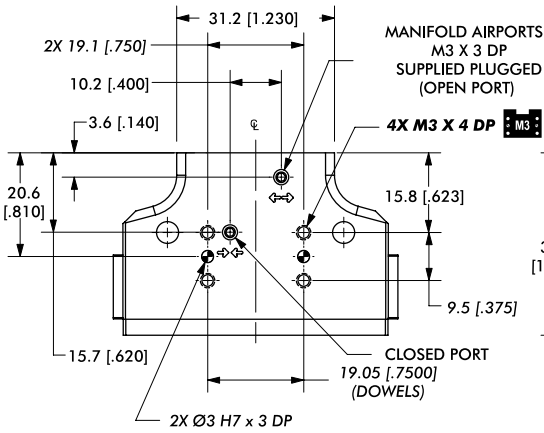
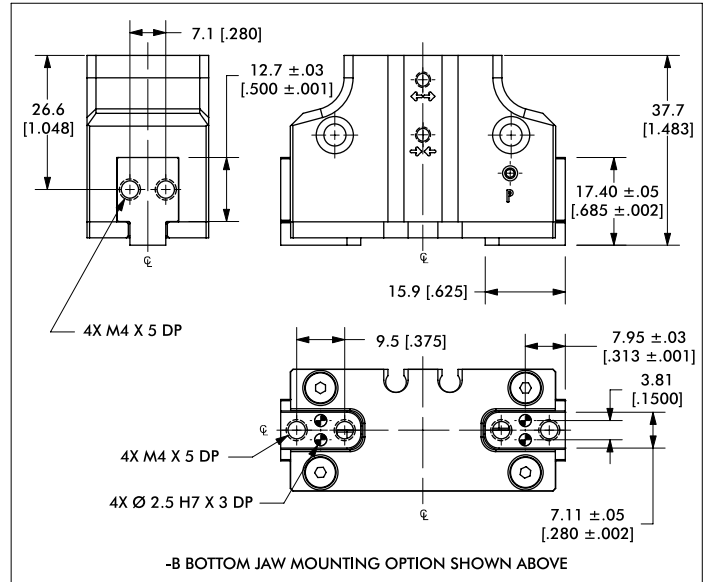
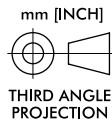
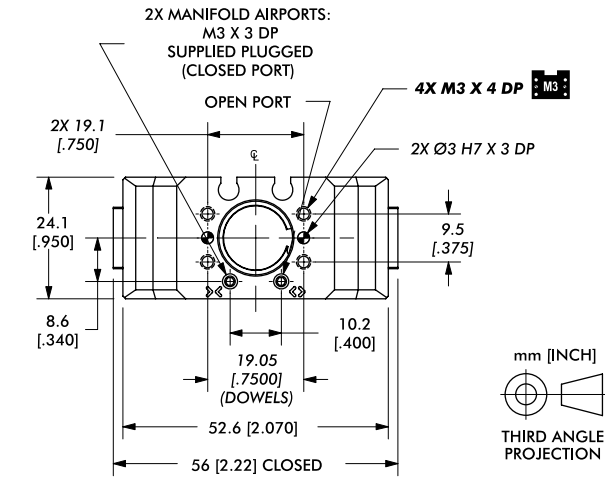
Dimensions and technical information are subject to change without notice

**DIRECTCONNECT**



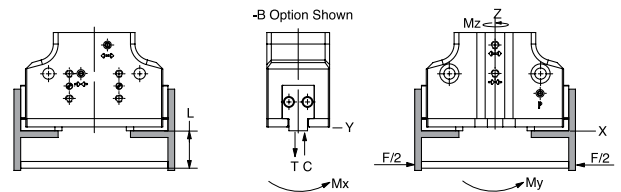
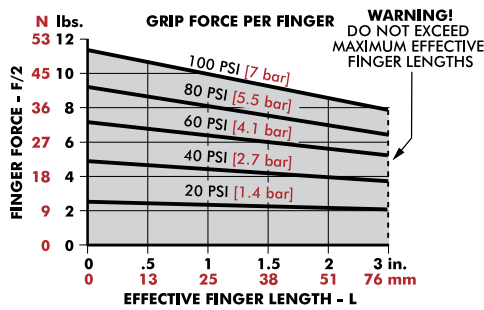
**DPDL-056M, 056M-B**

2-Jaw General Industrial Grippers | Dimensions and Technical Specifications



Seal Repair Kits	056M
Buna-N Seal Repair Kit	SLKT-186
Viton® Seal Repair Kit	SLKT-186V
Manifold Seal Kit (Viton® only)	SLKT-197V
Sealed Jaw Boot Replacement (1 Buna-N Boot only)	SLKT-192

Loading Information



DPDL-056M	Static	Dynamic
Maximum Tensile <b>T</b>	556 N [125 lbs]	111 N [25 lbs]
Maximum Compressive <b>C</b>	1113 N [250 lbs]	111 N [25 lbs]
Maximum Moment <b>M<sub>x</sub></b>	13 Nm [115 in-lbs]	2 Nm [20 in-lbs]
Maximum Moment <b>M<sub>y</sub></b>	13 Nm [115 in-lbs]	2 Nm [20 in-lbs]
Maximum Moment <b>M<sub>x</sub></b>	13 Nm [115 in-lbs]	2 Nm [20 in-lbs]

\*Capacities are per set of jaws and are not simultaneous

DPDL-056M-B	Static	Dynamic
Maximum Tensile <b>T</b>	445 N [100 lbs]	89 N [20 lbs]
Maximum Compressive <b>C</b>	890 N [200 lbs]	89 N [20 lbs]
Maximum Moment <b>M<sub>x</sub></b>	10 Nm [92 in-lbs]	2 Nm [16 in-lbs]
Maximum Moment <b>M<sub>y</sub></b>	10 Nm [92 in-lbs]	2 Nm [16 in-lbs]
Maximum Moment <b>M<sub>x</sub></b>	10 Nm [92 in-lbs]	2 Nm [16 in-lbs]

\*Capacities are per set of jaws and are not simultaneous

Dimensions and technical information are subject to change without notice

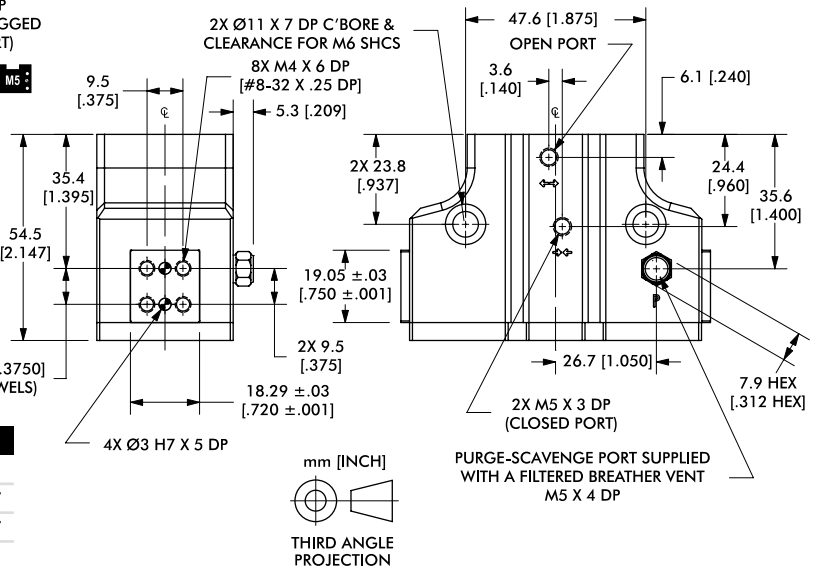
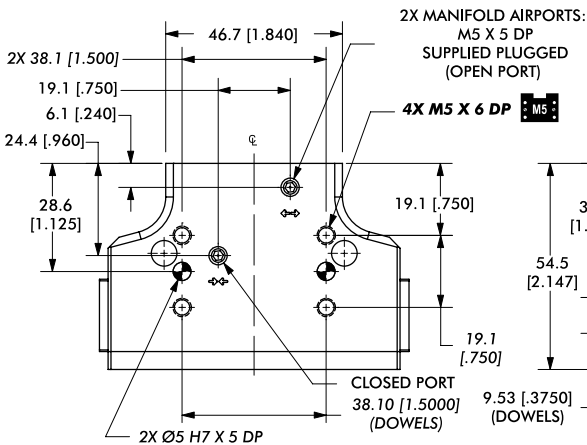
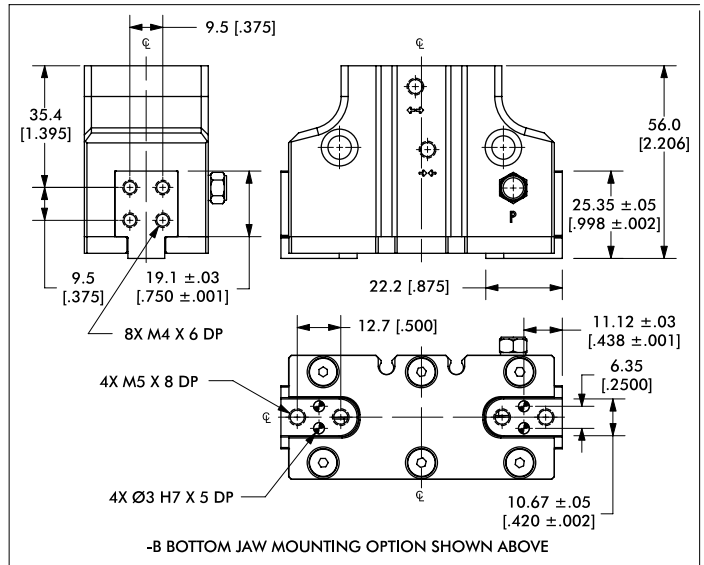
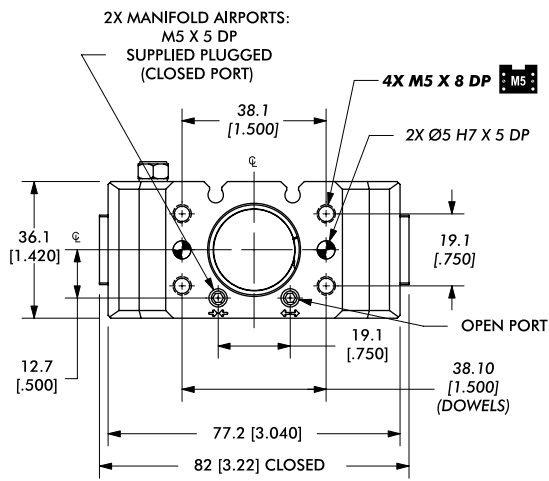
GR-GEN-14



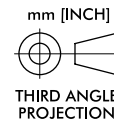
# DPDL-088M, 088M-B



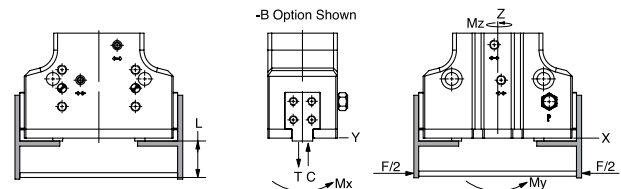
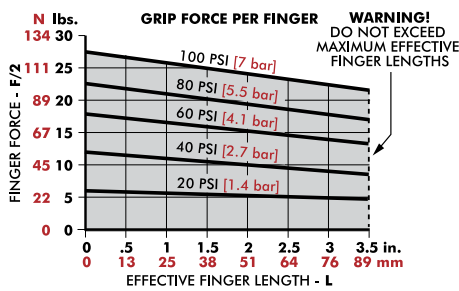
## 2-Jaw General Industrial Grippers | Dimensions and Technical Specifications



Seal Repair Kits	088M
Buna-N Seal Repair Kit	SLKT-187
Viton® Seal Repair Kit	SLKT-187V
Manifold Seal Kit (Viton® only)	SLKT-199V
Sealed Jaw Boot Replacement (1 Buna-N Boot only)	SLKT-193



### Loading Information



DPDL-088M	Static	Dynamic
Maximum Tensile <b>T</b>	1558 N [350 lbs]	178 N [40 lbs]
Maximum Compressive <b>C</b>	2893 N [650 lbs]	178 N [40 lbs]
Maximum Moment <b>M<sub>x</sub></b>	28 Nm [250 in-lbs]	5 Nm [40 in-lbs]
Maximum Moment <b>M<sub>y</sub></b>	28 Nm [250 in-lbs]	5 Nm [40 in-lbs]
Maximum Moment <b>M<sub>x</sub></b>	28 Nm [250 in-lbs]	5 Nm [40 in-lbs]

<sup>i</sup>Capacities are per set of jaws and are not simultaneous

DPDL-088M-B	Static	Dynamic
Maximum Tensile <b>T</b>	1246 N [280 lbs]	142 N [32 lbs]
Maximum Compressive <b>C</b>	2314 N [520 lbs]	142 N [32 lbs]
Maximum Moment <b>M<sub>x</sub></b>	23 Nm [200 in-lbs]	4 Nm [32 in-lbs]
Maximum Moment <b>M<sub>y</sub></b>	23 Nm [200 in-lbs]	4 Nm [32 in-lbs]
Maximum Moment <b>M<sub>x</sub></b>	23 Nm [200 in-lbs]	4 Nm [32 in-lbs]

<sup>i</sup>Capacities are per set of jaws and are not simultaneous



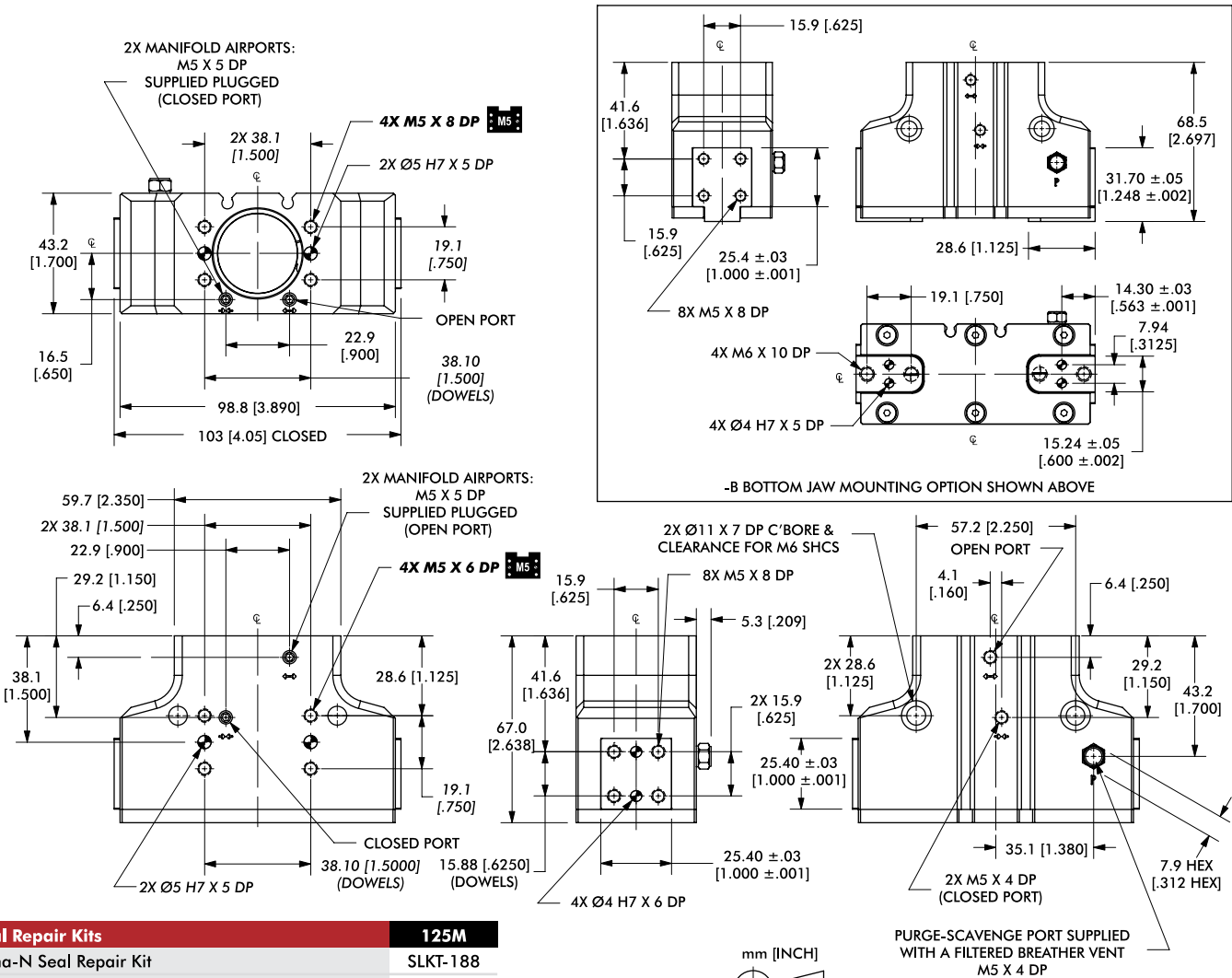
GR-GEN-15

Dimensions and technical information are subject to change without notice

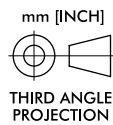


# DPDL-125M, 125M-B

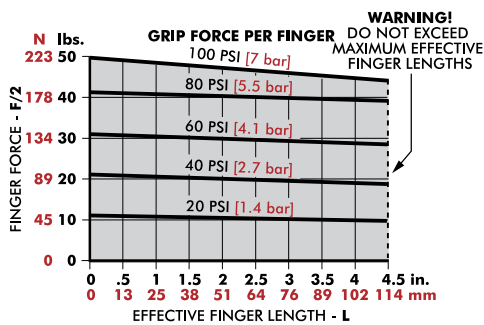
## 2-Jaw General Industrial Grippers | Dimensions and Technical Specifications



Seal Repair Kits	125M
Buna-N Seal Repair Kit	SLKT-188
Viton® Seal Repair Kit	SLKT-188V
Manifold Seal Kit (Viton® only)	SLKT-199V
Sealed Jaw Boot Replacement (1 Buna-N Boot only)	SLKT-194

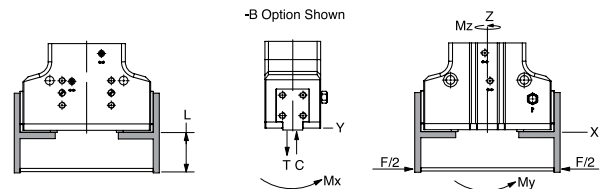


### Loading Information



DPDL-125M	Static	Dynamic
Maximum Tensile <b>T</b>	3004 N [675 lbs]	401 N [90 lbs]
Maximum Compressive <b>C</b>	5785 N [1300 lbs]	401 N [90 lbs]
Maximum Moment <b>M<sub>x</sub></b>	73 Nm [650 in-lbs]	12 Nm [110 in-lbs]
Maximum Moment <b>M<sub>y</sub></b>	73 Nm [650 in-lbs]	12 Nm [110 in-lbs]
Maximum Moment <b>M<sub>x</sub></b>	73 Nm [650 in-lbs]	12 Nm [110 in-lbs]

\*Capacities are per set of jaws and are not simultaneous



DPDL-125M-B	Static	Dynamic
Maximum Tensile <b>T</b>	2403 N [540 lbs]	320 N [72 lbs]
Maximum Compressive <b>C</b>	4628 N [1040 lbs]	320 N [72 lbs]
Maximum Moment <b>M<sub>x</sub></b>	59 Nm [520 in-lbs]	10 Nm [88 in-lbs]
Maximum Moment <b>M<sub>y</sub></b>	59 Nm [520 in-lbs]	10 Nm [88 in-lbs]
Maximum Moment <b>M<sub>x</sub></b>	59 Nm [520 in-lbs]	10 Nm [88 in-lbs]

\*Capacities are per set of jaws and are not simultaneous

Dimensions and technical information are subject to change without notice

GR-GEN-16

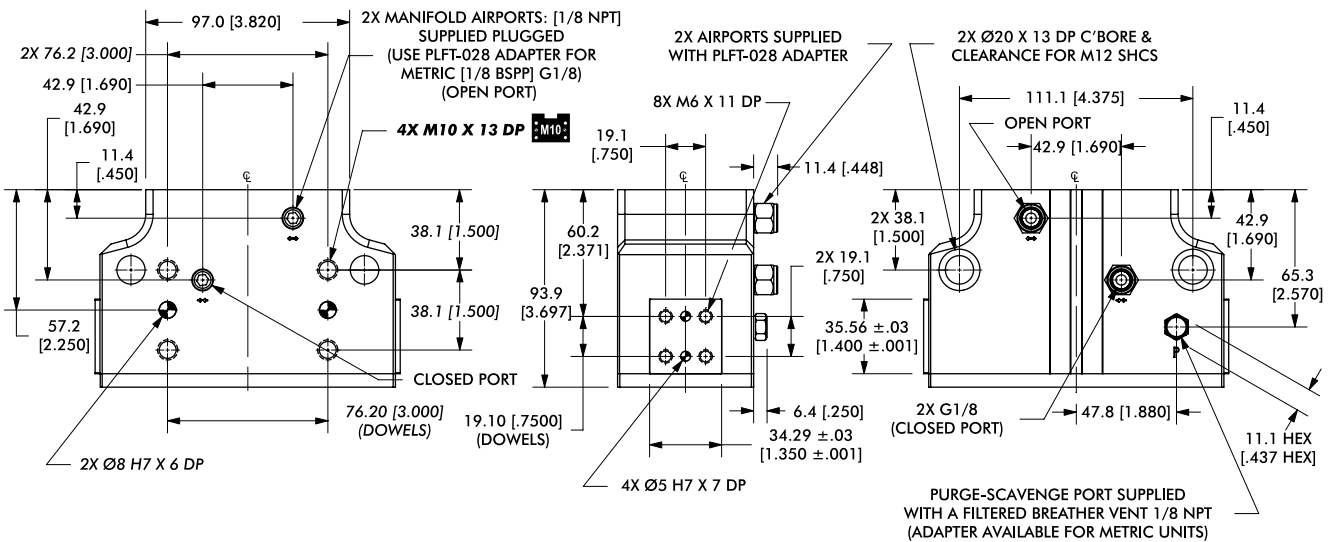
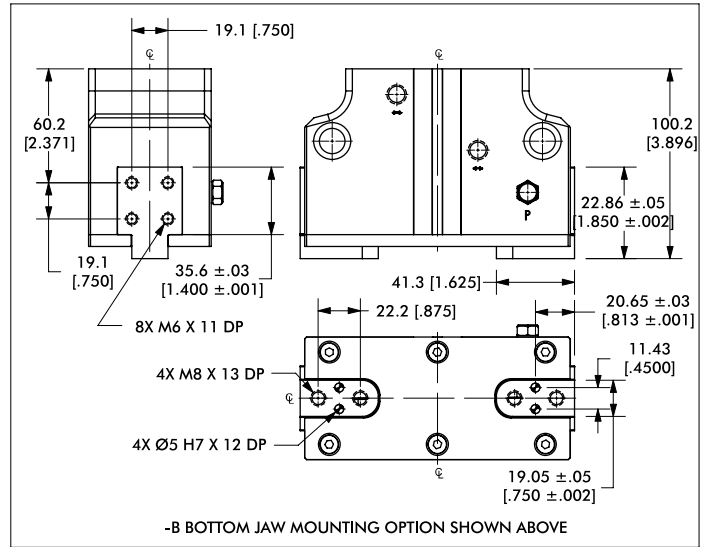
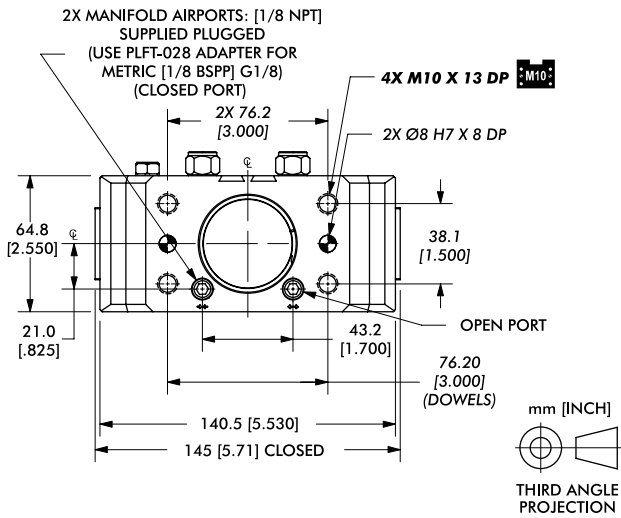




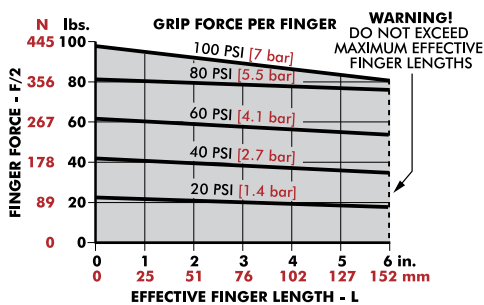
# DPDL-175M, 175M-B



## 2-Jaw General Industrial Grippers | Dimensions and Technical Specifications



### Loading Information



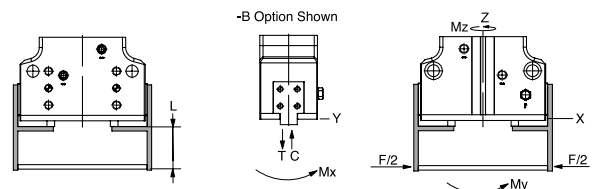
Seal Repair Kits	175M
Buna-N Seal Repair Kit	SLKT-189
Viton® Seal Repair Kit	SLKT-189V
Manifold Seal Kit (Viton® only)	SLKT-201V
Sealed Jaw Boot Replacement (1 Buna-N Boot only)	SLKT-195

DPDL-175M	Static	Dynamic
Maximum Tensile <b>T</b>	5118 N [1150 lbs]	779 N [175 lbs]
Maximum Compressive <b>C</b>	10235 N [2300 lbs]	779 N [175 lbs]
Maximum Moment <b>M<sub>x</sub></b>	130 Nm [1150 in-lbs]	22 Nm [190 in-lbs]
Maximum Moment <b>M<sub>y</sub></b>	130 Nm [1150 in-lbs]	22 Nm [190 in-lbs]
Maximum Moment <b>M<sub>x</sub></b>	130 Nm [1150 in-lbs]	22 Nm [190 in-lbs]

<sup>1</sup>Capacities are per set of jaws and are not simultaneous

DPDL-175M-B	Static	Dynamic
Maximum Tensile <b>T</b>	4094 N [920 lbs]	623 N [140 lbs]
Maximum Compressive <b>C</b>	8188 N [1840 lbs]	623 N [140 lbs]
Maximum Moment <b>M<sub>x</sub></b>	104 Nm [920 in-lbs]	17 Nm [152 in-lbs]
Maximum Moment <b>M<sub>y</sub></b>	104 Nm [920 in-lbs]	17 Nm [152 in-lbs]
Maximum Moment <b>M<sub>x</sub></b>	104 Nm [920 in-lbs]	17 Nm [152 in-lbs]

<sup>1</sup>Capacities are per set of jaws and are not simultaneous



GR-GEN-17

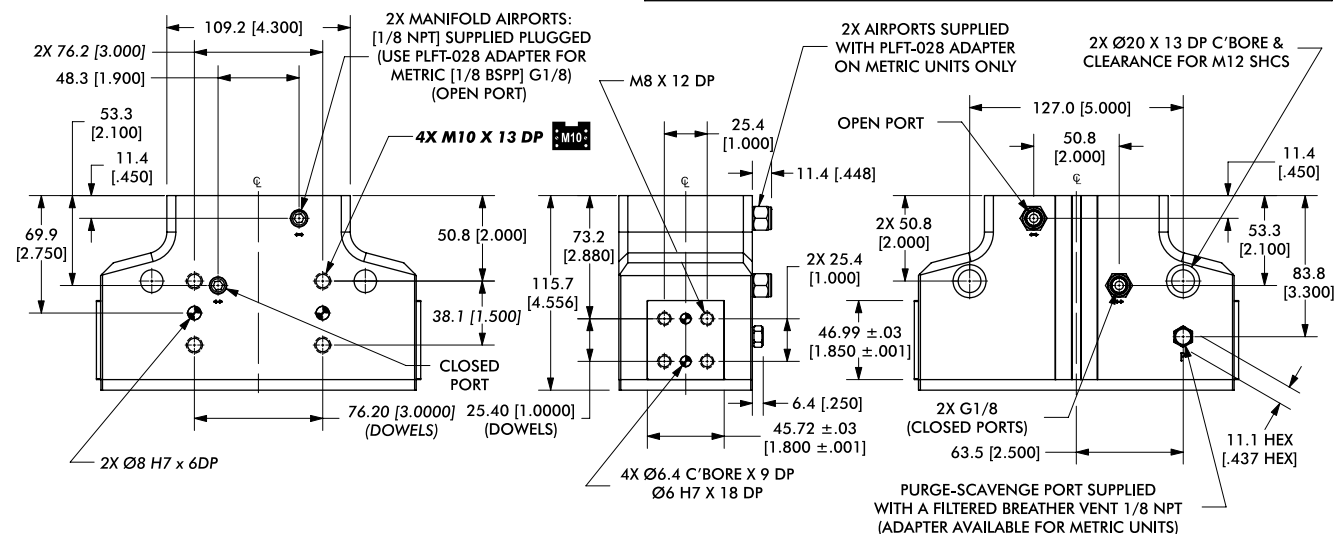
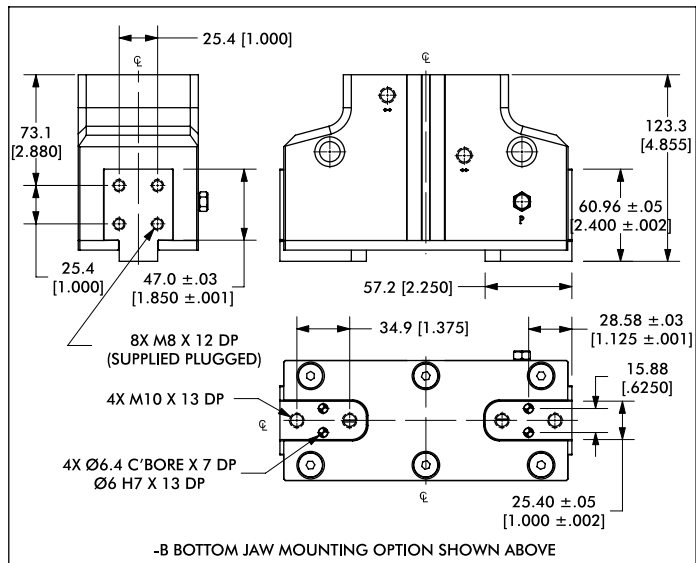
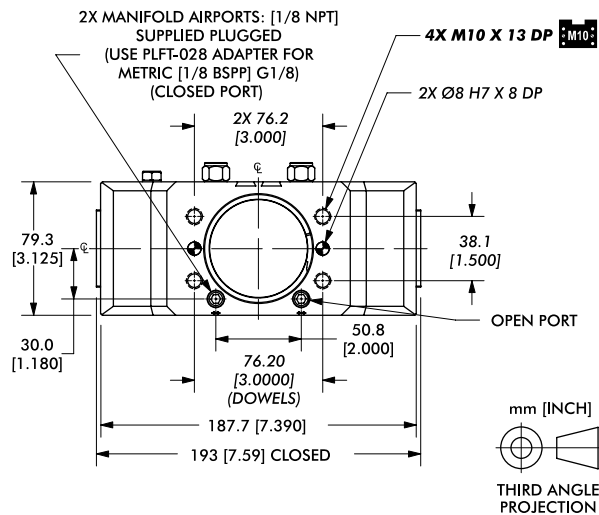
Dimensions and technical information are subject to change without notice

**DIRECTCONNECT**

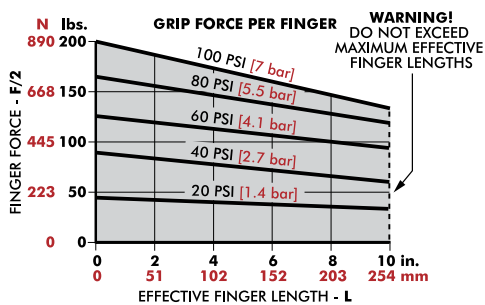


**DPDL-250M, 250M-B**

2-Jaw General Industrial Grippers | Dimensions and Technical Specifications



Loading Information



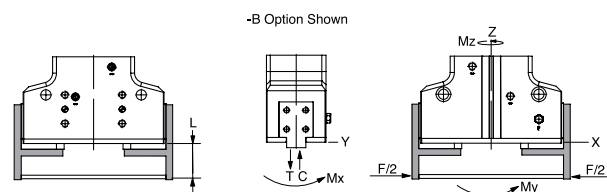
Seal Repair Kits	250M
Buna-N Seal Repair Kit	SLKT-190
Viton® Seal Repair Kit	SLKT-190V
Manifold Seal Kit (Viton® only)	SLKT-201V
Sealed Jaw Boot Replacement (1 Buna-N Boot only)	SLKT-196

DPDL-250M	Static	Dynamic
Maximum Tensile <b>T</b>	9568 N [2150 lbs]	1224 N [275 lbs]
Maximum Compressive <b>C</b>	19135 N [4300 lbs]	1224 N [275 lbs]
Maximum Moment <b>M<sub>x</sub></b>	339 Nm [3000 in-lbs]	40 Nm [350 in-lbs]
Maximum Moment <b>M<sub>y</sub></b>	339 Nm [3000 in-lbs]	40 Nm [350 in-lbs]
Maximum Moment <b>M<sub>x</sub></b>	339 Nm [3000 in-lbs]	40 Nm [350 in-lbs]

Capacities are per set of jaws and are not simultaneous

DPDL-250M-B	Static	Dynamic
Maximum Tensile <b>T</b>	7654 N [1720 lbs]	979 N [220 lbs]
Maximum Compressive <b>C</b>	15308 N [3440 lbs]	979 N [220 lbs]
Maximum Moment <b>M<sub>x</sub></b>	271 Nm [2400 in-lbs]	32 Nm [280 in-lbs]
Maximum Moment <b>M<sub>y</sub></b>	271 Nm [2400 in-lbs]	32 Nm [280 in-lbs]
Maximum Moment <b>M<sub>x</sub></b>	271 Nm [2400 in-lbs]	32 Nm [280 in-lbs]

Capacities are per set of jaws and are not simultaneous



Dimensions and technical information are subject to change without notice

GR-GEN-18



# DPDS SERIES

## 2-Jaw General Industrial Grippers | Features and Benefits | How To Order

### Features:

- Rugged general purpose modular gripper
- High impact resistant with double wedge design
- Finger mounting on end or bottom of jaws
- Thru-body mounting and multiple mounting features simplifies installation
- Multiple air ports support manifold interface using O-rings
- Purge/scavenge ports for harsh & clean environments
- Corrosion resistance hardware option

### Applications:

- Compact, robust gripper for use in confined spaces requiring a high grip force
- Multiple part gripping using manifold feature to create gripper arrays
- Long finger gripping applications



### How To Order

<b>Base Model</b> <b>DPDS</b>	<b>Size</b> 047M 125M 056M 175M 088M 250M	<b>Jaw Mounting</b> "Blank" B	<b>Description</b> End Jaw Mounting Bottom Jaw Mounting	<b>Hardware</b> "Blank" S CR	<b>Description</b> Alloy Corrosion Resistant Corrosion Resistant with Clean Room Grade Grease
----------------------------------	----------------------------------------------------	-------------------------------------	---------------------------------------------------------------	---------------------------------------	-----------------------------------------------------------------------------------------------------------

<b>Seals</b>	<b>Description</b>
"Blank"	Buna-N
V	Viton® High Temperature

<b>Stroke</b>	Stroke varies with size of gripper	
047M	006, 009 or 013	125M 019, 025 or 038
056M	009, 013 or 019	175M 025, 038 or 050
088M	013, 019 or 025	250M 038, 050 or 075

Stroke dimensions					
006	1.6mm [0.06]	019	4.8mm [0.19]	050	12.7mm [0.50]
009	2.4mm [0.09]	025	6.4mm [0.25]	075	19.1mm [0.75]
013	3.2mm [0.13]	038	9.5mm [0.38]		

### Accessories

Sensor Accessories	Model Numbers	Part Number	Qty/Unit
PNP Magneto Resistive Sensor with Quick Disconnect*	047M, 056M, 088M, 125M	OHSP-017	1-2
NPN Magneto Resistive Sensor with Quick Disconnect*	047M, 056M, 088M, 125M	OHSN-017	1-2
PNP Magneto Resistive Sensor with Quick Disconnect*	175M, 250M	OHSP-015	1-2
NPN Magneto Resistive Sensor with Quick Disconnect*	175M, 250M	OHSN-015	1-2
PNP Magneto Resistive Sensor (90° barrel) w/Qk. Disc.*	047M, 056M, 088M, 125M	OHSP-011	1-2
NPN Magneto Resistive Sensor (90° barrel) w/Qk. Disc.*	047M, 056M, 088M, 125M	OHSN-011	1-2
Quick Disconnect 2 Meter Cable Length*	All Models	CABL-010	1-2
Quick Disconnect 5 Meter Cable Length*	All Models	CABL-013	1-2

Pneumatic Accessories	Model Numbers	Part Number	Qty/Unit
Plumbing Fitting - M3 male to 3mm OD Tube Push-in Style	047M, 056M	PLFT-021	1-2
Plumbing Fitting - M3 male to 2mm ID Tube Barb Style	047M, 056M	PLFT-022	1-2
Plumbing Fitting - 1/8 NPT Male to 1/8 BSPP Female	125M, 250M	PLFT-028	1-2
Adjustable Flow Control G 1/8 Elbow - 6mm OD Push-in	125M, 250M	VLVF-005	1-2
Adjustable Flow Control M5 Elbow - 6mm OD Push-in	088M, 125M	VLVF-008	1-2
Fail Safe Valve M5	088M, 125M	OFSV-004	1
Fail Safe Valve G 1/8 (1/8 BSPP)	175M, 250M	OFSV-005	1

\*Sensor and cable sold separately.



GR-GEN-19

Dimensions and technical information are subject to change without notice

**DPDS SERIES****2-Jaw General Industrial Grippers | Technical Specifications**

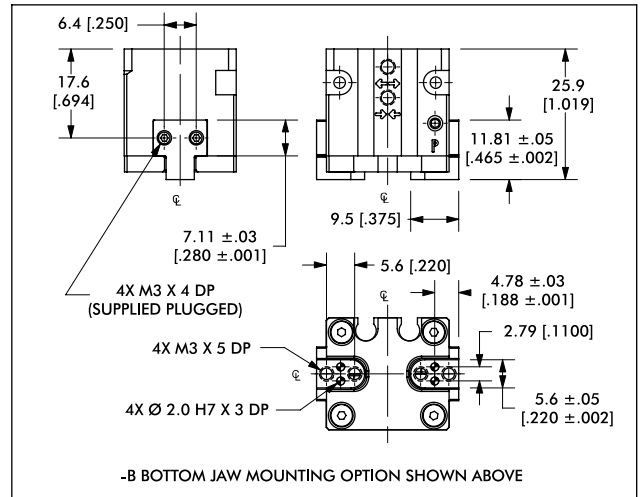
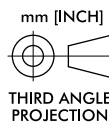
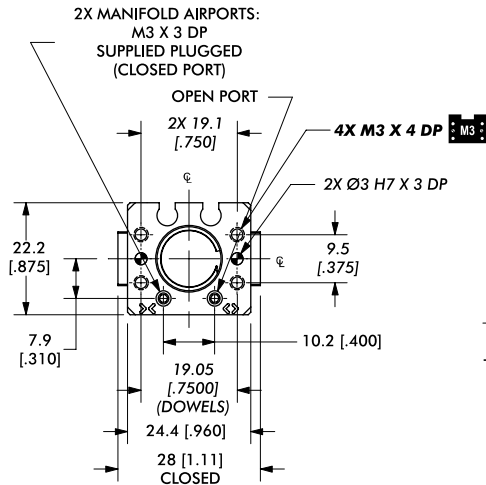
Specifications	Units	047M	056M	088M
Total Rated Grip Force <b>F</b> @ 100 psi	N [lbs]	62 [14]	98 [22]	222 [50]
Total Stroke	mm [in]	3.2 [0.13]	4.8 [0.19]	6.4 [0.25]
Weight	kg [lbs]	0.086 [0.04]	0.155 [0.07]	0.23 [0.51]
Pressure Range	bar [psi]	1.5-7 [20-100]		
Max. Vacuum for Scavenge Port	mm Hg [in. Hg]	200 [8]		
Max. Pressure for Purge Port	bar [psi]	1.4 [20]		
Ingress Protection Class (IP)		IP54		
Displacement	cm <sup>3</sup> [in <sup>3</sup> ]	0.2 [0.013]	0.5 [0.028]	1.5 [0.090]
Temperature Range (Buna-N seals)	°C [°F]	-35°~80° [-30°~180°]		
Temperature Range (Viton® seals)	°C [°F]	-30°~150° [-20°~300°]		
Actuation	sec	0.13	0.16	0.20
Accuracy	mm [in]	±0.05 [±0.002]		
Repeatability	mm [in]	±0.03 [±0.001]		
Valve to Actuate Double Acting		4-way, 2-position		

Specifications	Units	125M	175M	250M
Total Rated Grip Force <b>F</b> @ 100 psi	N [lbs]	445 [100]	890 [200]	1779 [400]
Total Stroke	mm [in]	9.5 [0.38]	12.7 [0.50]	19.1 [0.75]
Weight	kg [lbs]	0.46 [1.03]	1.68 [3.70]	2.76 [6.08]
Pressure Range	bar [psi]	1.5-7 [20-100]		
Max. Vacuum for Scavenge Port	mm Hg [in. Hg]	200 [8]		
Max. Pressure for Purge Port	bar [psi]	1.4 [20]		
Ingress Protection Class (IP)		IP54		
Displacement	cm <sup>3</sup> [in <sup>3</sup> ]	4.5 [0.274]	11.7 [0.717]	36.0 [2.194]
Temperature Range (Buna-N seals)	°C [°F]	-35°~80° [-30°~180°]		
Temperature Range (Viton® seals)	°C [°F]	-30°~150° [-20°~300°]		
Actuation	sec	0.30	0.40	0.50
Accuracy	mm [in]	±0.08 [±0.003]		
Repeatability	mm [in]	±0.03 [±0.001]		
Valve to Actuate Double Acting		4-way, 2-position		

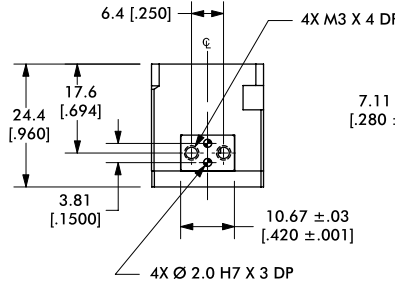
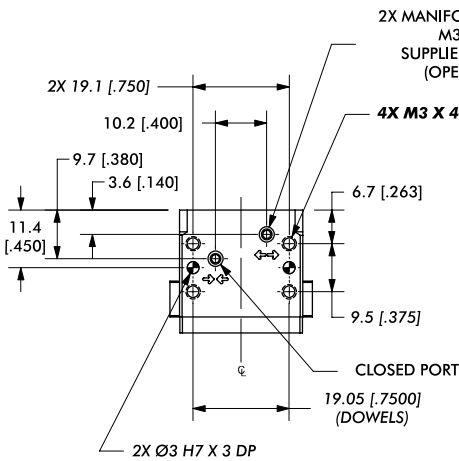
# DPDS-047M, 047M-B



## 2-Jaw General Industrial Grippers | Dimensions and Technical Specifications



-B BOTTOM JAW MOUNTING OPTION SHOWN ABOVE

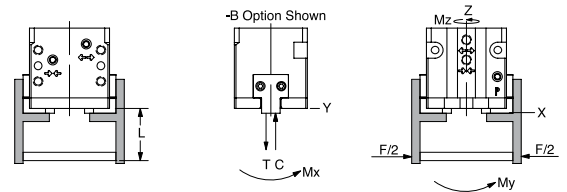
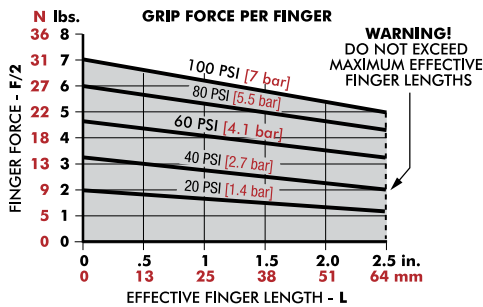


2X Ø5 X 4 DP C'BORE & CLEARANCE FOR M2.5 SHCS

PURGE-SCAVENGE PORT SUPPLIED PLUGGED M3 X 3 DP

Seal Repair Kits	047M
Buna-N Seal Repair Kit	SLKT-185
Viton® Seal Repair Kit	SLKT-185V
Manifold Seal Kit (Viton® only)	SLKT-197V

### Loading Information



DPDS-047M	Static	Dynamic
Maximum Tensile <b>T</b>	134 N [30 lbs]	27 N [6 lbs]
Maximum Compressive <b>C</b>	223 N [50 lbs]	45 N [10 lbs]
Maximum Moment <b>M<sub>x</sub></b>	2 Nm [20 in-lbs]	0.6 Nm [5 in-lbs]
Maximum Moment <b>M<sub>y</sub></b>	2 Nm [20 in-lbs]	0.6 Nm [5 in-lbs]
Maximum Moment <b>M<sub>x</sub></b>	2 Nm [20 in-lbs]	0.6 Nm [5 in-lbs]

†Capacities are per set of jaws and are not simultaneous

DPDS-047M-B	Static	Dynamic
Maximum Tensile <b>T</b>	107 N [24 lbs]	22 N [5 lbs]
Maximum Compressive <b>C</b>	178 N [40 lbs]	36 N [8 lbs]
Maximum Moment <b>M<sub>x</sub></b>	2 Nm [16 in-lbs]	0.5 Nm [4 in-lbs]
Maximum Moment <b>M<sub>y</sub></b>	2 Nm [16 in-lbs]	0.5 Nm [4 in-lbs]
Maximum Moment <b>M<sub>x</sub></b>	2 Nm [16 in-lbs]	0.5 Nm [4 in-lbs]

†Capacities are per set of jaws and are not simultaneous



GR-GEN-21

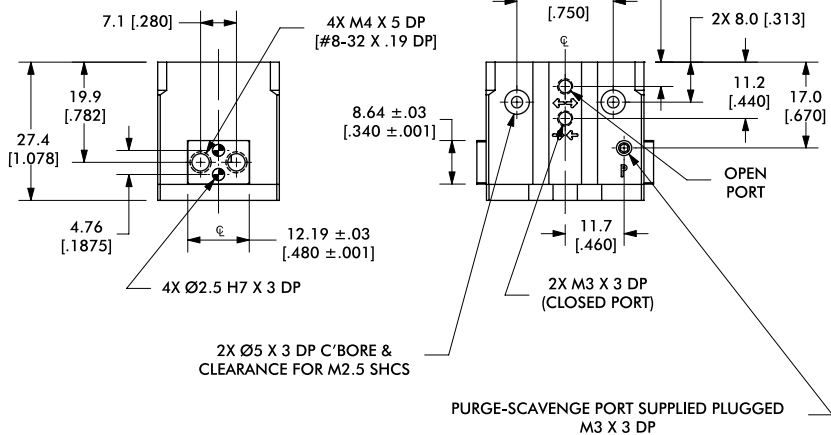
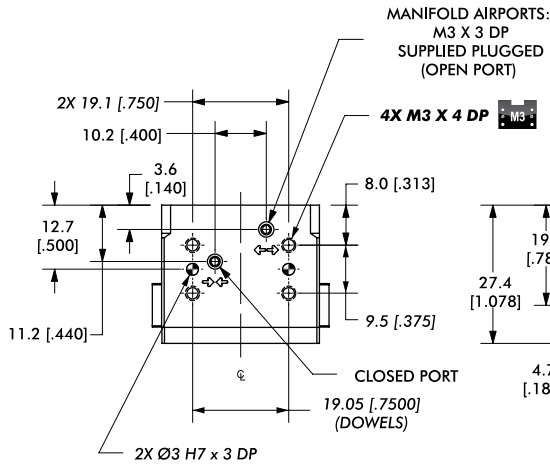
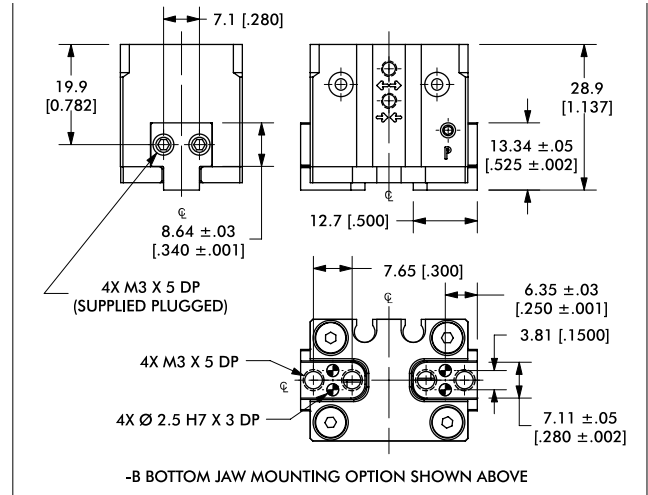
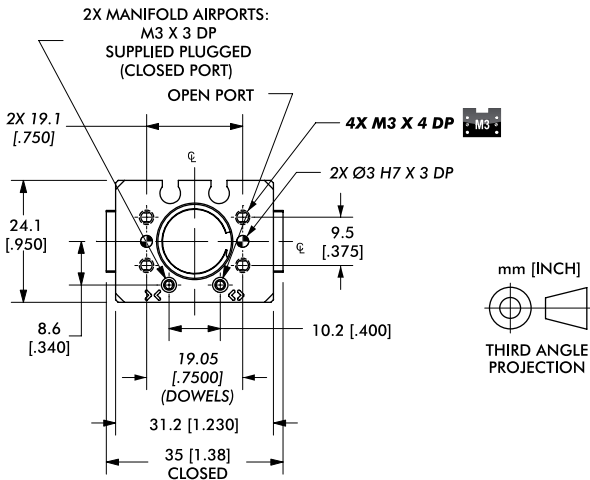
Dimensions and technical information are subject to change without notice

**DIRECTCONNECT**

M3

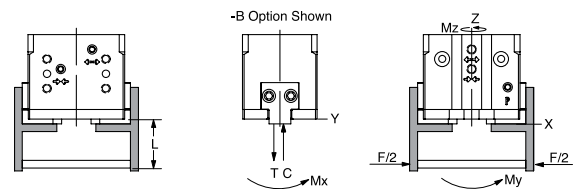
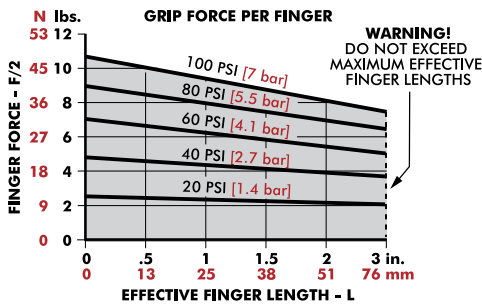
**DPDS-056M, 056M-B**

2-Jaw General Industrial Grippers | Dimensions and Technical Specifications



Seal Repair Kits	056M
Buna-N Seal Repair Kit	SLKT-186
Viton® Seal Repair Kit	SLKT-186V
Manifold Seal Kit (Viton® only)	SLKT-197V

Loading Information



DPDS-056M	Static	Dynamic
Maximum Tensile <b>T</b>	267 N [60 lbs]	45 N [10 lbs]
Maximum Compressive <b>C</b>	401 N [90 lbs]	67 N [15 lbs]
Maximum Moment <b>M<sub>x</sub></b>	5 Nm [40 in-lbs]	0.8 Nm [7 in-lbs]
Maximum Moment <b>M<sub>y</sub></b>	5 Nm [40 in-lbs]	0.8 Nm [7 in-lbs]
Maximum Moment <b>M<sub>x</sub></b>	5 Nm [40 in-lbs]	0.8 Nm [7 in-lbs]

<sup>†</sup>Capacities are per set of jaws and are not simultaneous

DPDS-056M-B	Static	Dynamic
Maximum Tensile <b>T</b>	214 N [48 lbs]	36 N [8 lbs]
Maximum Compressive <b>C</b>	320 N [72 lbs]	53 N [12 lbs]
Maximum Moment <b>M<sub>x</sub></b>	4 Nm [32 in-lbs]	1 Nm [6 in-lbs]
Maximum Moment <b>M<sub>y</sub></b>	4 Nm [32 in-lbs]	1 Nm [6 in-lbs]
Maximum Moment <b>M<sub>x</sub></b>	4 Nm [32 in-lbs]	1 Nm [6 in-lbs]

<sup>†</sup>Capacities are per set of jaws and are not simultaneous

Dimensions and technical information are subject to change without notice

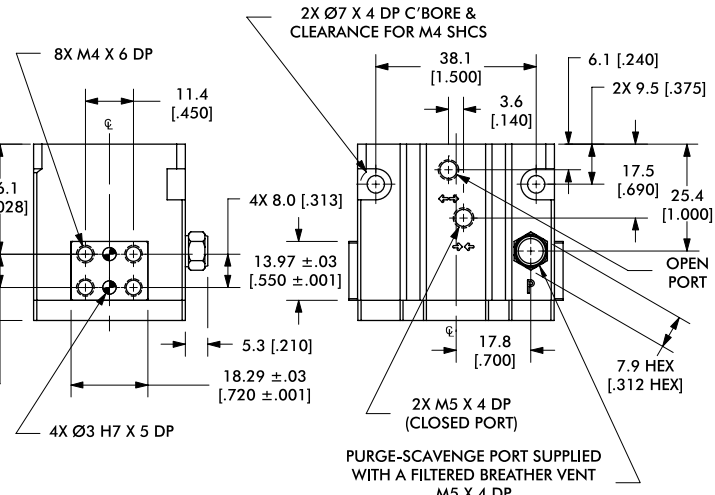
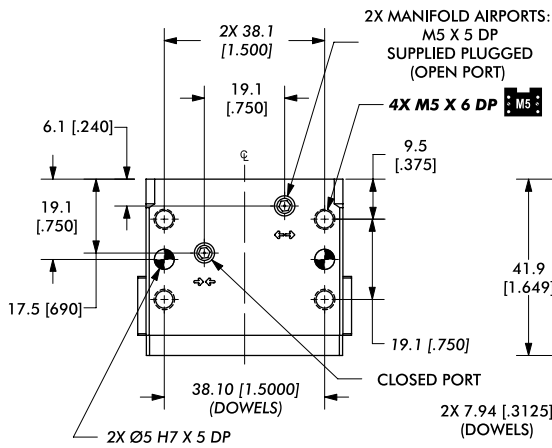
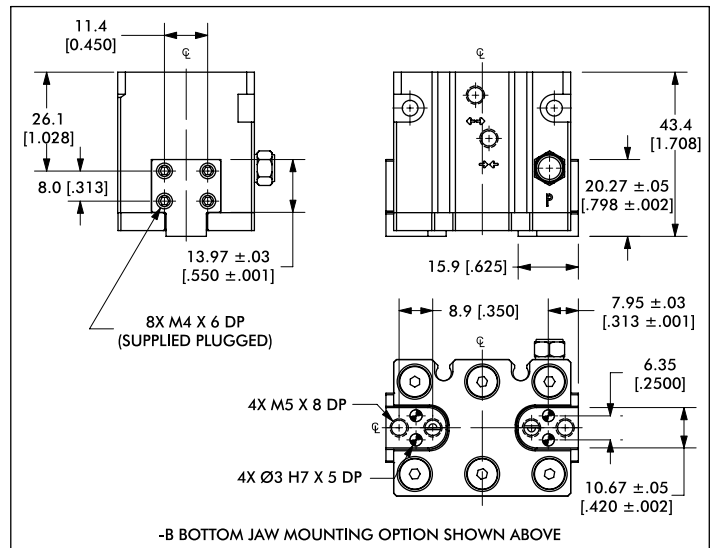
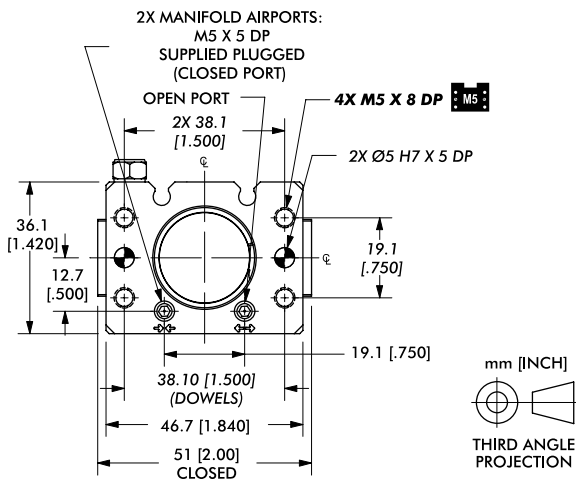
GR-GEN-22



# DPDS-088M, 088M-B

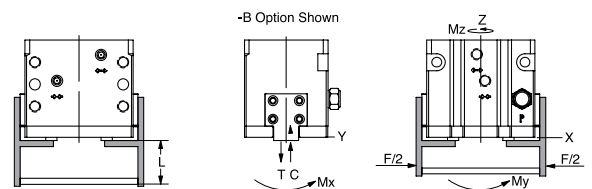
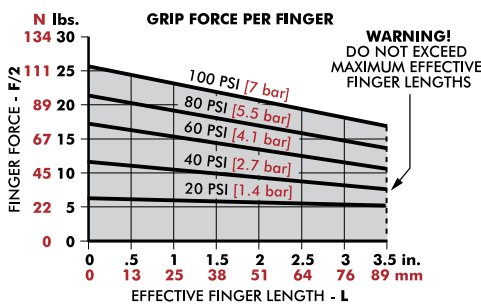


## 2-Jaw General Industrial Grippers | Dimensions and Technical Specifications



Seal Repair Kits	088M
Buna-N Seal Repair Kit	SLKT-187
Viton® Seal Repair Kit	SLKT-187V
Manifold Seal Kit (Viton® only)	SLKT-199V

### Loading Information



DPDS-088M	Static	Dynamic
Maximum Tensile <b>T</b>	614 N [138 lbs]	111 N [25 lbs]
Maximum Compressive <b>C</b>	1224 N [275 lbs]	111 N [25 lbs]
Maximum Moment <b>M<sub>x</sub></b>	14 Nm [120 in-lbs]	2 Nm [20 in-lbs]
Maximum Moment <b>M<sub>y</sub></b>	14 Nm [120 in-lbs]	2 Nm [20 in-lbs]
Maximum Moment <b>M<sub>z</sub></b>	14 Nm [120 in-lbs]	2 Nm [20 in-lbs]

<sup>t</sup>Capacities are per set of jaws and are not simultaneous

DPDS-088M-B	Static	Dynamic
Maximum Tensile <b>T</b>	490 N [110 lbs]	89 N [20 lbs]
Maximum Compressive <b>C</b>	979 N [220 lbs]	89 N [20 lbs]
Maximum Moment <b>M<sub>x</sub></b>	11 Nm [96 in-lbs]	2 Nm [16 in-lbs]
Maximum Moment <b>M<sub>y</sub></b>	11 Nm [96 in-lbs]	2 Nm [16 in-lbs]
Maximum Moment <b>M<sub>z</sub></b>	11 Nm [96 in-lbs]	2 Nm [16 in-lbs]

<sup>t</sup>Capacities are per set of jaws and are not simultaneous



GR-GEN-23

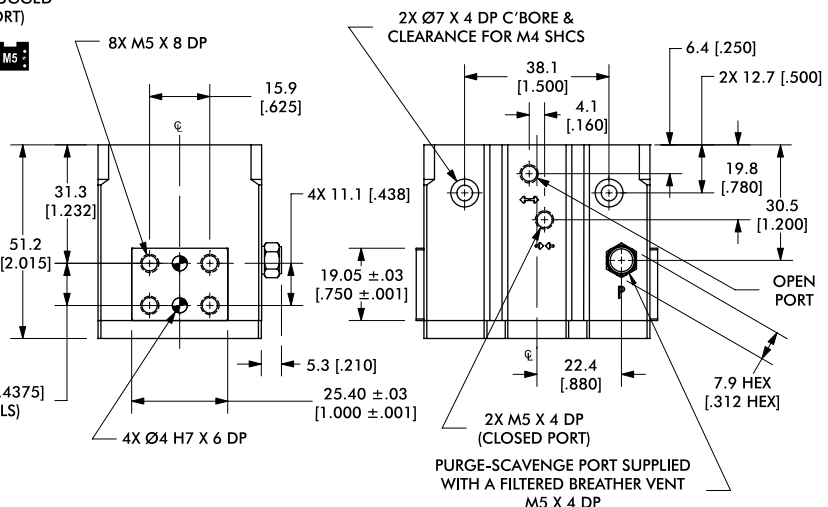
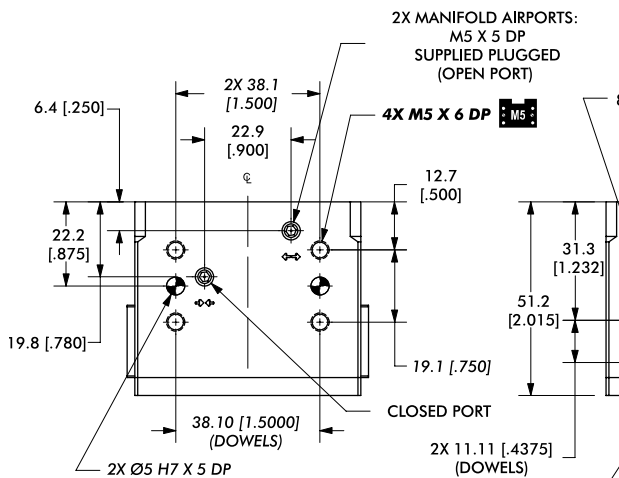
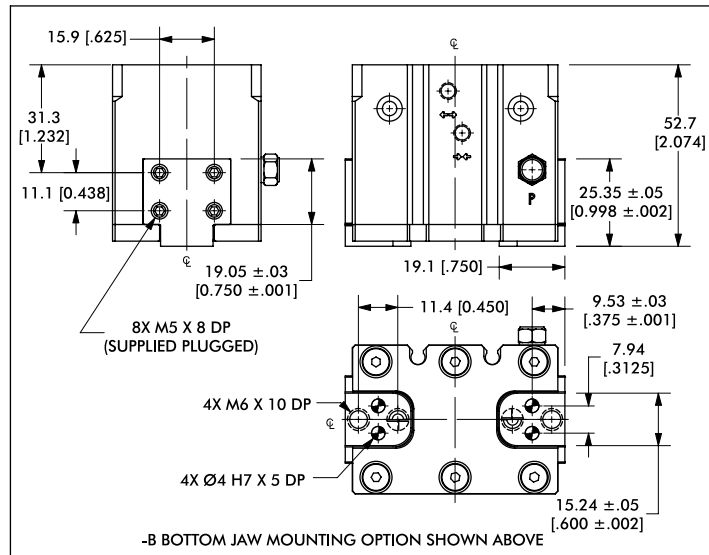
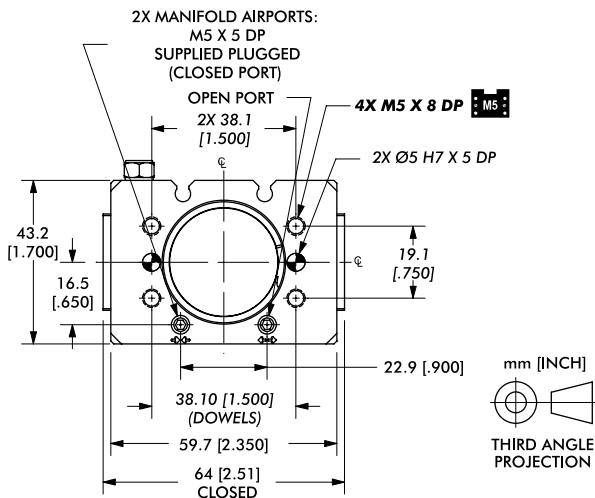
Dimensions and technical information are subject to change without notice

**DIRECTCONNECT**

M5

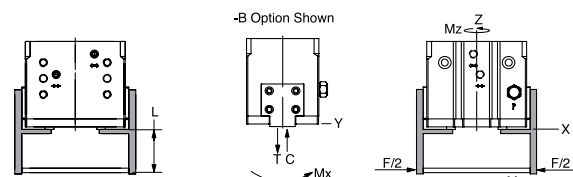
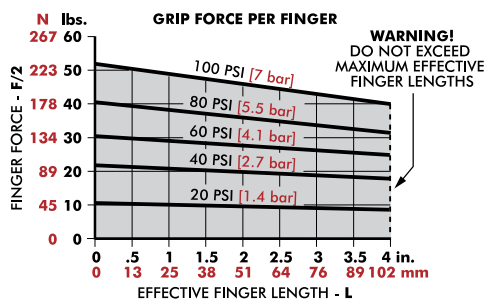
**DPDS-125M, 125M-B**

2-Jaw General Industrial Grippers | Dimensions and Technical Specifications



Seal Repair Kits	056M
Buna-N Seal Repair Kit	SLKT-188
Viton® Seal Repair Kit	SLKT-188V
Manifold Seal Kit (Viton® only)	SLKT-199V

Loading Information



DPDS-125M	Static	Dynamic
Maximum Tensile <b>T</b>	2225 N [500 lbs]	289 N [65 lbs]
Maximum Compressive <b>C</b>	4228 N [950 lbs]	289 N [65 lbs]
Maximum Moment <b>M<sub>x</sub></b>	48 Nm [425 in-lbs]	8 Nm [70 in-lbs]
Maximum Moment <b>M<sub>y</sub></b>	48 Nm [425 in-lbs]	8 Nm [70 in-lbs]
Maximum Moment <b>M<sub>x</sub></b>	48 Nm [425 in-lbs]	8 Nm [70 in-lbs]

\*Capacities are per set of jaws and are not simultaneous

DPDS-125M-B	Static	Dynamic
Maximum Tensile <b>T</b>	1780 N [400 lbs]	231 N [52 lbs]
Maximum Compressive <b>C</b>	3382 N [760 lbs]	231 N [52 lbs]
Maximum Moment <b>M<sub>x</sub></b>	8 Nm [340 in-lbs]	6 Nm [56 in-lbs]
Maximum Moment <b>M<sub>y</sub></b>	38 Nm [340 in-lbs]	6 Nm [56 in-lbs]
Maximum Moment <b>M<sub>x</sub></b>	38 Nm [340 in-lbs]	6 Nm [56 in-lbs]

\*Capacities are per set of jaws and are not simultaneous

Dimensions and technical information are subject to change without notice

GR-GEN-24

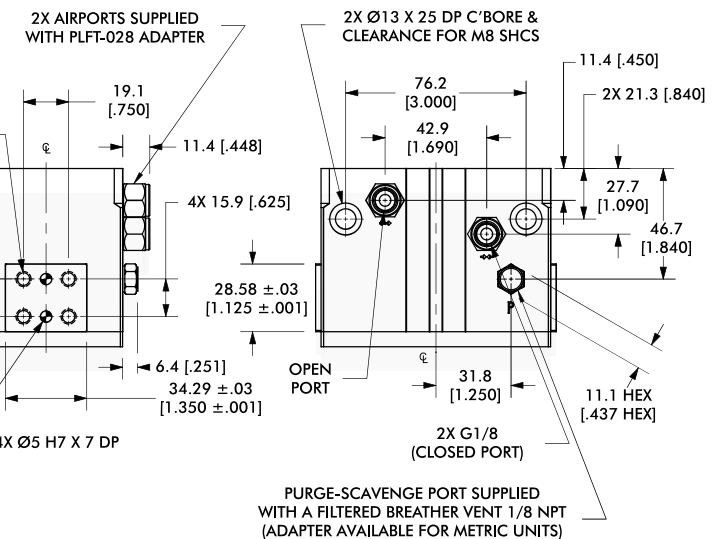
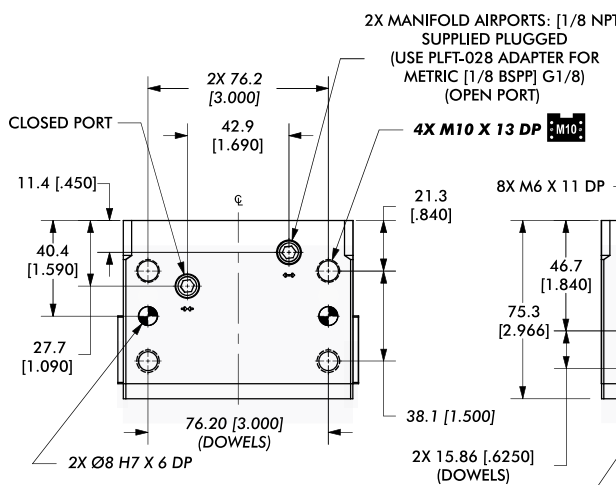
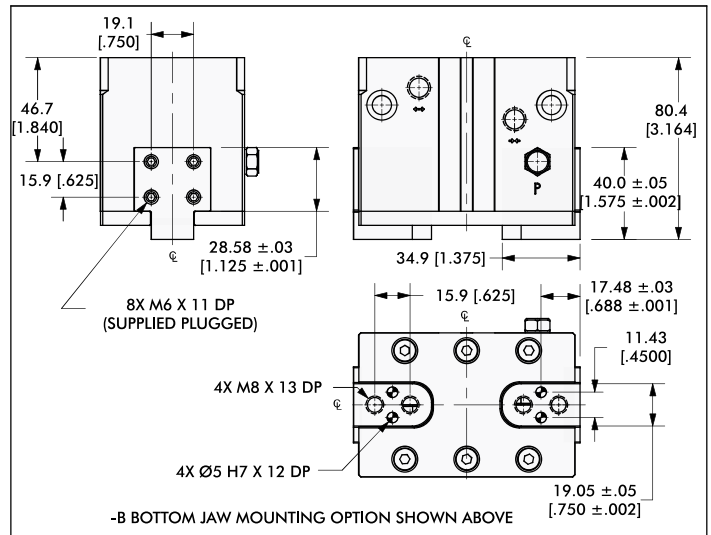
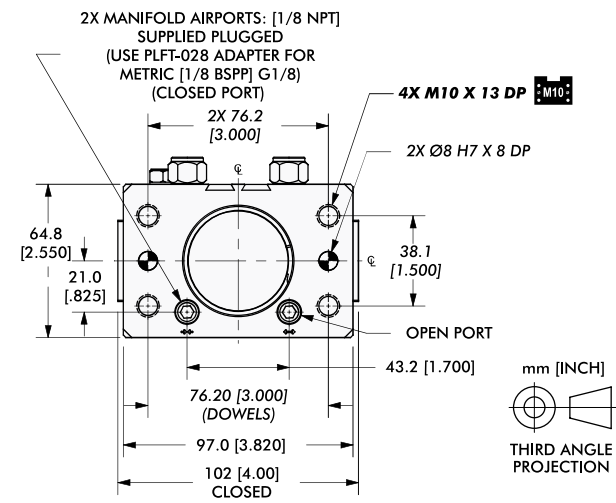




# DPDS-175M, 175M-B

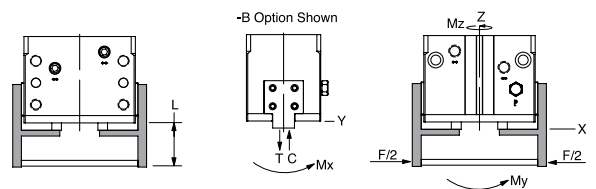
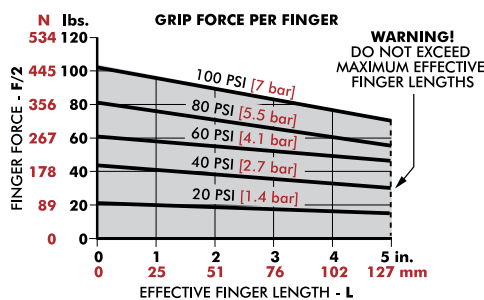


## 2-Jaw General Industrial Grippers | Dimensions and Technical Specifications



Seal Repair Kits	175M
Buna-N Seal Repair Kit	SLKT-189
Viton® Seal Repair Kit	SLKT-189V
Manifold Seal Kit (Viton® only)	SLKT-201V

### Loading Information



DPDS-175M	Static	Dynamic
Maximum Tensile <b>T</b>	4450 N [1000 lbs]	668 N [150 lbs]
Maximum Compressive <b>C</b>	8900 N [2000 lbs]	668 N [150 lbs]
Maximum Moment <b>M<sub>x</sub></b>	113 Nm [1000 in-lbs]	20 Nm [175 in-lbs]
Maximum Moment <b>M<sub>y</sub></b>	113 Nm [1000 in-lbs]	20 Nm [175 in-lbs]
Maximum Moment <b>M<sub>x</sub></b>	113 Nm [1000 in-lbs]	20 Nm [175 in-lbs]

\*Capacities are per set of jaws and are not simultaneous

DPDS-175M-B	Static	Dynamic
Maximum Tensile <b>T</b>	3560 N [800 lbs]	534 N [120 lbs]
Maximum Compressive <b>C</b>	7120 N [1600 lbs]	534 N [120 lbs]
Maximum Moment <b>M<sub>x</sub></b>	90 Nm [800 in-lbs]	16 Nm [140 in-lbs]
Maximum Moment <b>M<sub>y</sub></b>	90 Nm [800 in-lbs]	16 Nm [140 in-lbs]
Maximum Moment <b>M<sub>x</sub></b>	90 Nm [800 in-lbs]	16 Nm [140 in-lbs]

\*Capacities are per set of jaws and are not simultaneous



GR-GEN-25

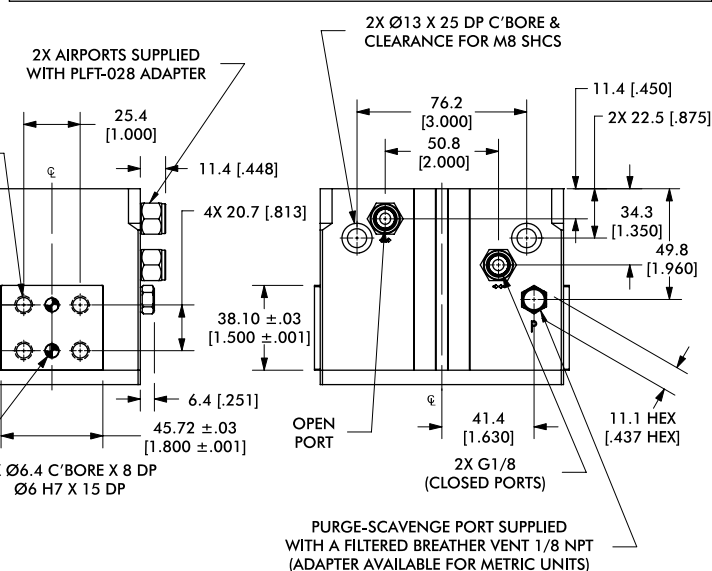
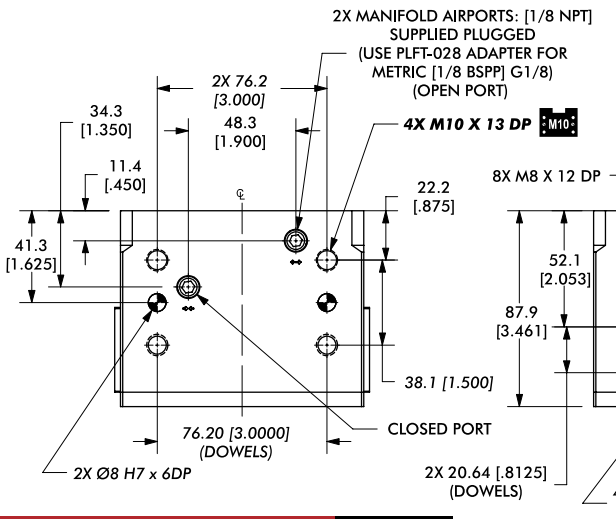
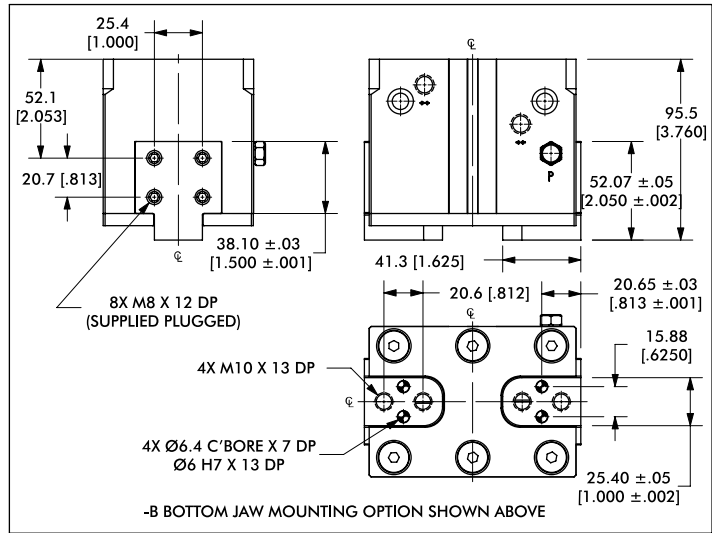
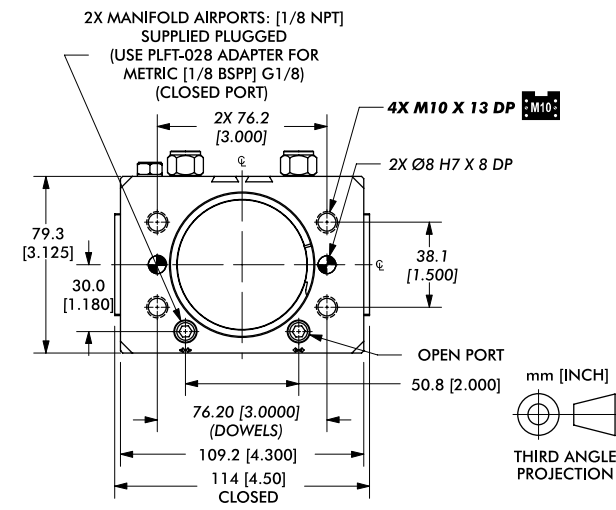
Dimensions and technical information are subject to change without notice

**DIRECTCONNECT**



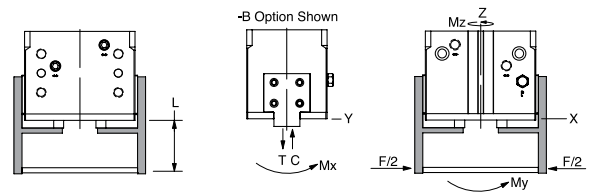
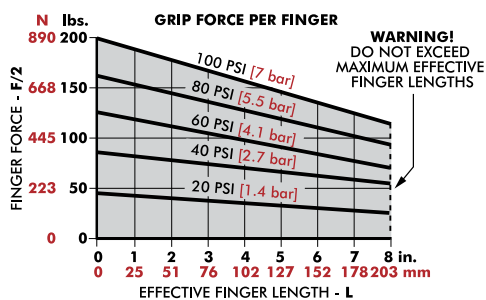
**DPDS-250M, 250M-B**

2-Jaw General Industrial Grippers | Dimensions and Technical Specifications



Seal Repair Kits	250M
Buna-N Seal Repair Kit	SLKT-190
Viton® Seal Repair Kit	SLKT-190V
Manifold Seal Kit (Viton® only)	SLKT-201V

Loading Information



DPDS-250M	Static	Dynamic
Maximum Tensile <b>T</b>	5785 N [1300 lbs]	979 N [220 lbs]
Maximum Compressive <b>C</b>	12015 N [2700 lbs]	979 N [220 lbs]
Maximum Moment <b>M<sub>x</sub></b>	153 Nm [1350 in-lbs]	25 Nm [225 in-lbs]
Maximum Moment <b>M<sub>y</sub></b>	153 Nm [1350 in-lbs]	25 Nm [225 in-lbs]
Maximum Moment <b>M<sub>x</sub></b>	153 Nm [1350 in-lbs]	25 Nm [225 in-lbs]

\*Capacities are per set of jaws and are not simultaneous

DPDS-250M-B	Static	Dynamic
Maximum Tensile <b>T</b>	4628 N [1040 lbs]	783 N [176 lbs]
Maximum Compressive <b>C</b>	9612 N [2160 lbs]	783 N [176 lbs]
Maximum Moment <b>M<sub>x</sub></b>	122 Nm [1080 in-lbs]	20 Nm [180 in-lbs]
Maximum Moment <b>M<sub>y</sub></b>	122 Nm [1080 in-lbs]	20 Nm [180 in-lbs]
Maximum Moment <b>M<sub>x</sub></b>	122 Nm [1080 in-lbs]	20 Nm [180 in-lbs]

\*Capacities are per set of jaws and are not simultaneous

Dimensions and technical information are subject to change without notice

GR-GEN-26



# DPG SERIES

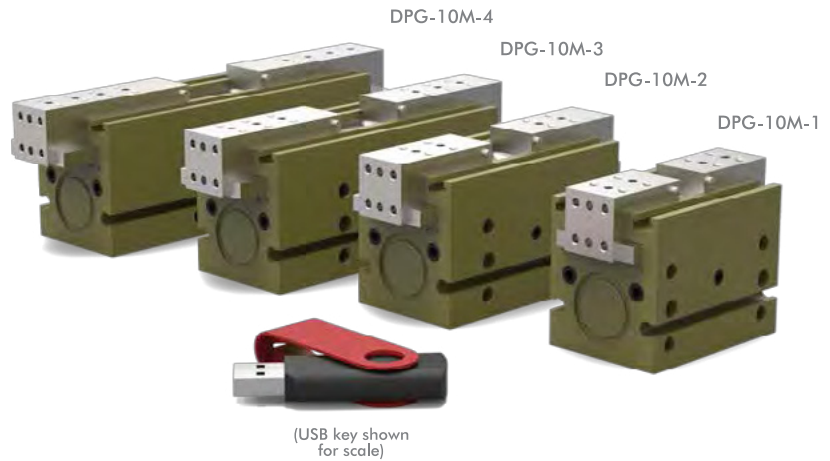
## 2-Jaw General Industrial Grippers | Features and Benefits | How To Order

### Features:

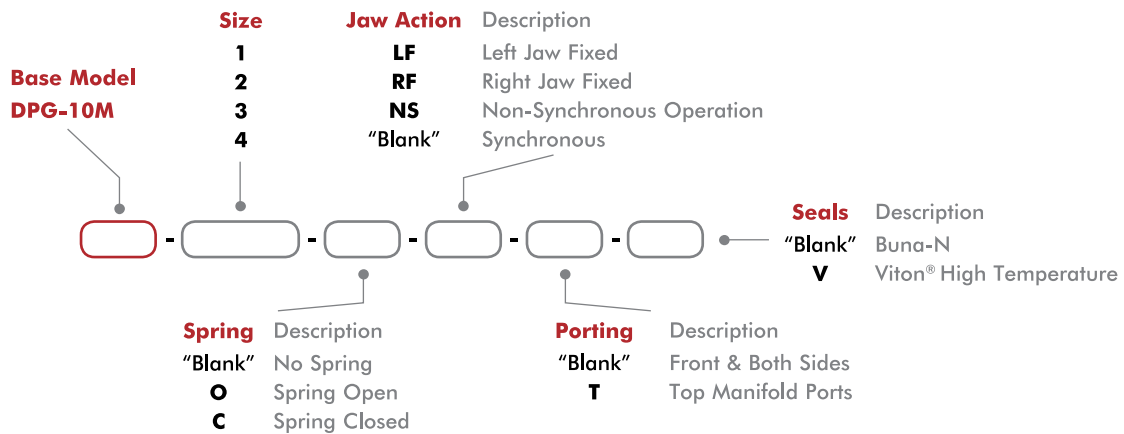
- Rugged general purpose modular gripper
- Multi-position sensing up to 4 locations
- Shielded gripper to repel metal chips and particulates
- Spring assist option maintains grip in case of air pressure loss
- Synchronous or non-synchronous jaw operation
- Multiple air ports support manifold interface using O-rings
- Two finger mounting surfaces on each jaw

### Applications:

- CNC Machining applications
- Chip and dry particulate harsh environments
- Non-synchronous jaw or fixed jaw clamp operations



### How To Order



GR-GEN-27

Dimensions and technical information are subject to change without notice

## DPG SERIES

### 2-Jaw General Industrial Grippers | How To Order, Technical Specifications

Sensor Accessories	Model Numbers	Part Number	Qty/Unit
Inductive Sensor Mounting Kit (Mounts 2 Sensors)	All Models	OSMK-097	1-2
NPN Inductive Sensor with Qk. Disconnect*	All Models	OISN-019	1-4
PNP Inductive Sensor with Qk. Disconnect*	All Models	OISP-019	1-4
NPN Magneto Resistive Sensor w/Qk. Disconnect*	All Models	OHSN-017	1-4
PNP Magneto Resistive Sensor w/Qk. Disconnect*	All Models	OHSP-017	1-4
NPN Magneto Resistive Sensor (90°) w/Qk. Disconnect*	All Models	OHSN-011	1-4
PNP Magneto Resistive Sensor (90°) w/Qk. Disconnect*	All Models	OHSP-011	1-4
Quick Disconnect Cable (2 meters long)*	All Models	CABL-010	1-4
Quick Disconnect Cable (5 meters long)*	All Models	CABL-013	1-4
Quick Disconnect Cable Extension Cord (1 meter long)*	All Models	CABL-015	1-4
Quick Disconnect Cable Extension Cord (2 meters long)*	All Models	CABL-016	1-4

Pneumatic Accessories	Model Numbers	Part Number	Qty/Unit
Buna-N Seal Repair Kit	All Models	SLKT-183	1
Viton® Seal Repair Kit	All Models	SLKT-183V	1
-T Plumbing Fitting - M3 male to 3mm OD Tube Push-in Style	All Models	PLFT-021	1-2
-T Plumbing Fitting - M3 male to 2mm ID Tube Barb Style	All Models	PLFT-022	1-2
Fail Safe Valve - M5 (Metric)	All Models	OFSV-004	1
Adjustable Flow Control (Metric)	All Models	VLVF-008	1-2
Top Port Manifold Seal Kit	All Models	SLKT-184V	1

\* Sensor and cable sold separately.

### Specifications

Specifications	Units	10M-1	10M-2	10M-3	10M-4
Total Rated Grip Force <b>F</b> @ 100 psi [7 bar]	N [lbs]	222 [50]			
Total Stroke	mm [in]	6.4 [0.25]	12.7 [0.50]	38.1 [0.75]	25.4 [1.00]
Weight	kg [lbs]	0.17 [0.39]	0.24 [0.53]	0.68 [0.30]	0.81 [0.36]
Pressure Range (without spring)	bar [psi]	3-7 [40-100]			
Pressure Range (with spring)	bar [psi]	1.4-7 [20-100]		3.4-7 [50-100]	
Ingress Protection Class (IP)		IP54			
Displacement	cm <sup>3</sup> [in <sup>3</sup> ]	1.2 [0.076]	2.5 [0.153]	3.8 [0.230]	5.0 [0.306]
Temperature Range (Buna-N seals)	°C [°F]	-35°~80° [-30°~180°]			
Temperature Range (Viton® seals)	°C [°F]	-30°~150° [-20°~300°]			
Actuation	sec	0.13	0.19	0.29	0.40
Accuracy	mm [in]	±0.05 [±0.002]			
Repeatability	mm [in]	±0.05 [±0.002]			
Valve to Actuate Double Acting		4-way, 2-position			

Dimensions and technical information are subject to change without notice

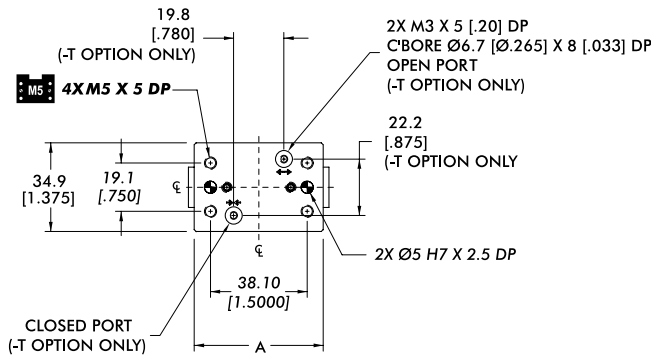
GR-GEN-28



# DPG-10M

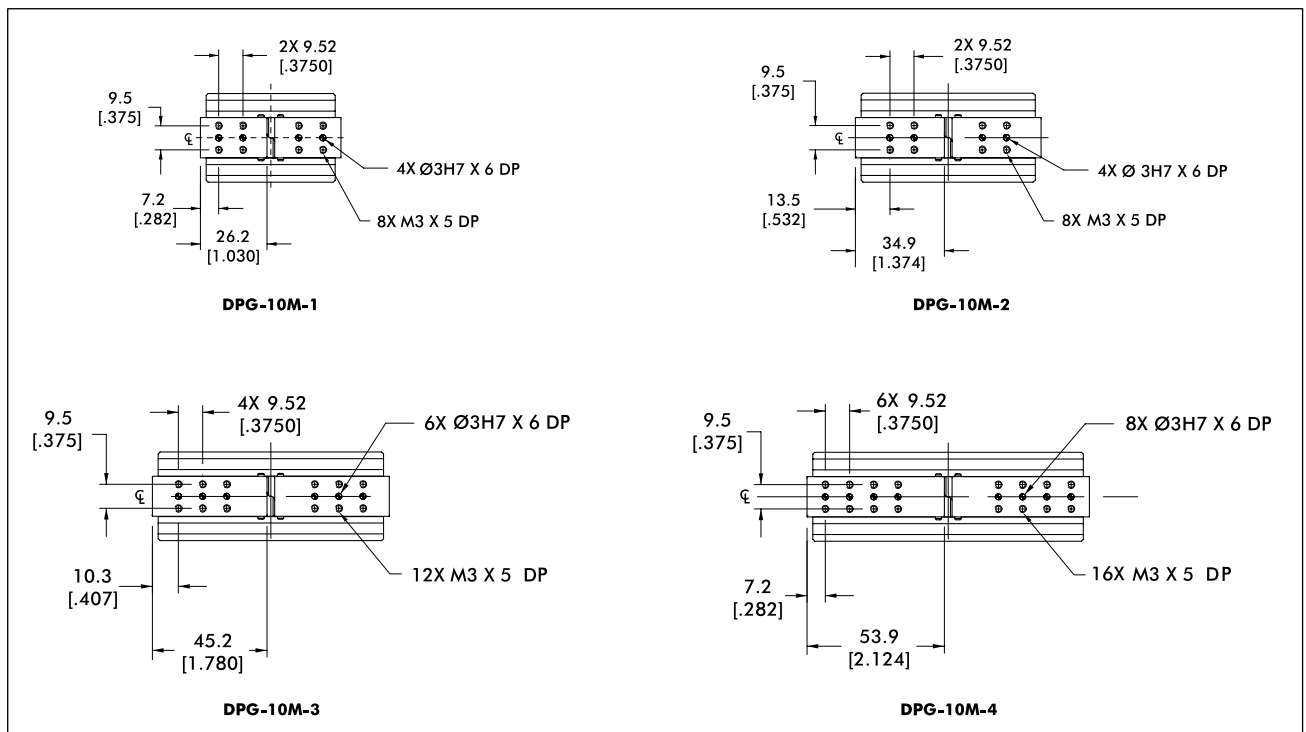
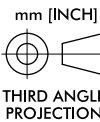
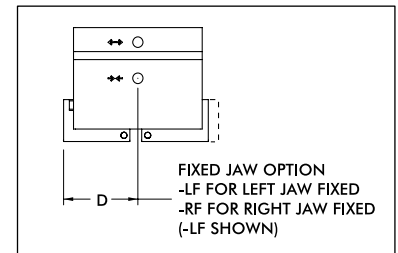
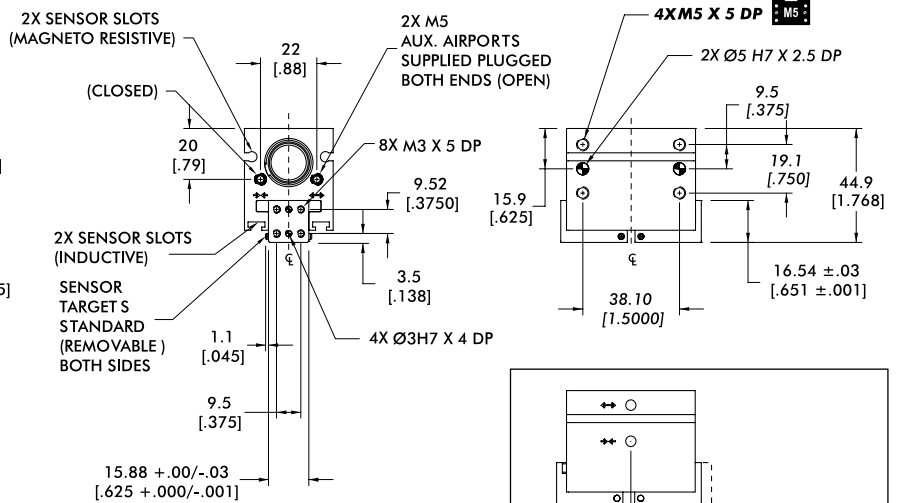
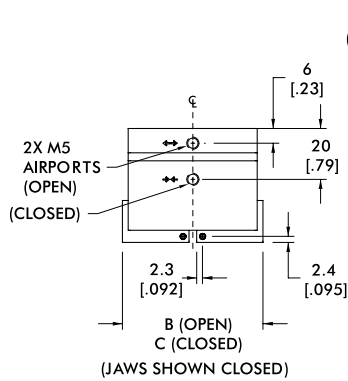


## 2-Jaw General Industrial Grippers | Dimensions and Technical Specifications



Model	A	B	C	D
DPG-10M-1	50.8 [2.000]	55 [2.18]	62 [2.44]	29 [1.15]
DPG-10M-2	68.3 [2.688]	86 [3.38]	73 [2.87]	37 [1.45]
DPG-10M-3	88.9 [3.500]	113 [3.68]	113 [4.44]	56 [2.20]
DPG-10M-4	106 [4.188]	111 [4.37]	137 [5.38]	62 [2.43]

Dimensions in mm [in]

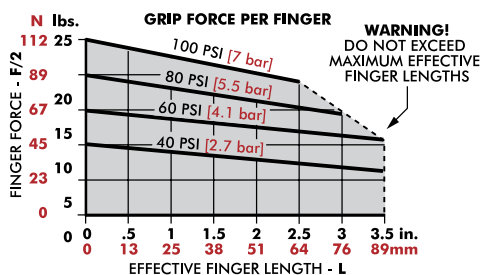


GR-GEN-29

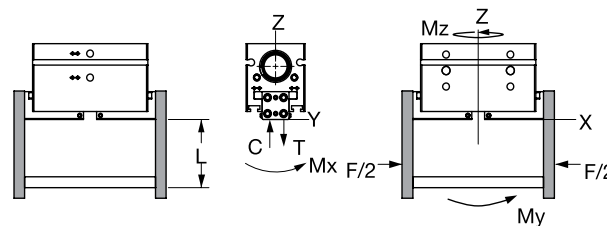
Dimensions and technical information are subject to change without notice

# DPG-10M

## 2-Jaw General Industrial Grippers | Loading Capacity

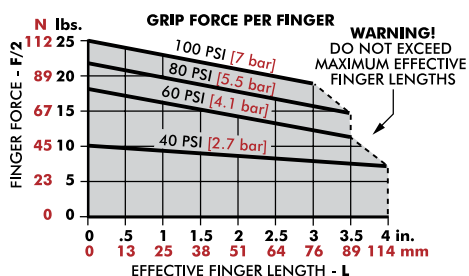


Total Additional Grip Force	Spring Open	Spring Close
@ Full Open	26 N [6 lbs]	40 N [9 lbs]
@ Full Close	49 N [11 lbs]	26 N [6 lbs]

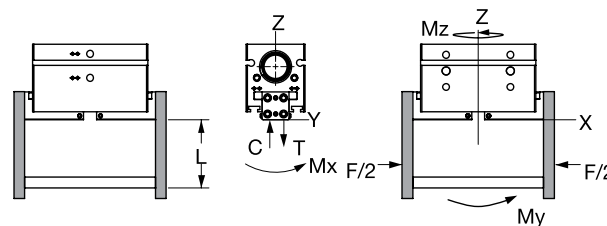


DPG-10M-1	Static	Dynamic
Maximum Tensile <b>T</b>	778 N [175 lbs]	89 N [20 lbs]
Maximum Compressive <b>C</b>	1779 N [400 lbs]	89 N [20 lbs]
Maximum Moment <b>M<sub>x</sub></b>	17 Nm [150 in-lbs]	2 Nm [20 in-lbs]
Maximum Moment <b>M<sub>y</sub></b>	20 Nm [175 in-lbs]	3 Nm [30 in-lbs]
Maximum Moment <b>M<sub>x</sub></b>	17 Nm [150 in-lbs]	2 Nm [20 in-lbs]

\*Capacities are per set of jaws and are not simultaneous

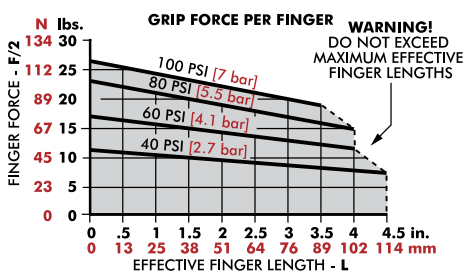


Total Additional Grip Force	Spring Open	Spring Close
@ Full Open	26 N [6 lbs]	62 N [14 lbs]
@ Full Close	66 N [15 lbs]	26 N [6 lbs]

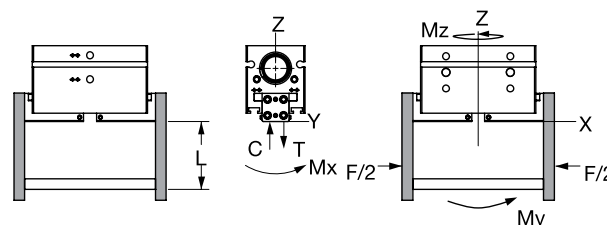


DPG-10M-2	Static	Dynamic
Maximum Tensile <b>T</b>	890 N [200 lbs]	111 N [25 lbs]
Maximum Compressive <b>C</b>	1890 N [425 lbs]	111 N [25 lbs]
Maximum Moment <b>M<sub>x</sub></b>	20 Nm [175 in-lbs]	3 Nm [25 in-lbs]
Maximum Moment <b>M<sub>y</sub></b>	23 Nm [200 in-lbs]	4 Nm [35 in-lbs]
Maximum Moment <b>M<sub>x</sub></b>	20 Nm [175 in-lbs]	3 Nm [25 in-lbs]

\*Capacities are per set of jaws and are not simultaneous

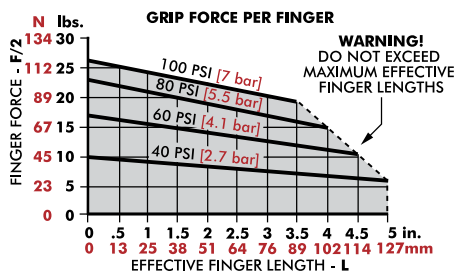


Total Additional Grip Force	Spring Open	Spring Close
@ Full Open	26 N [6 lbs]	66 N [15 lbs]
@ Full Close	102 N [23 lbs]	26 N [6 lbs]

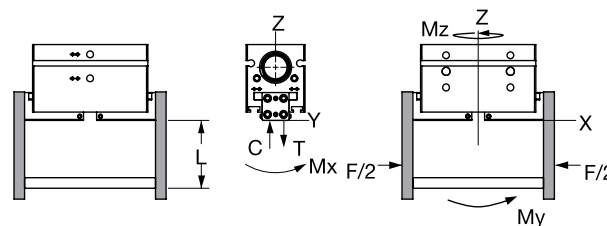


DPG-10M-3	Static	Dynamic
Maximum Tensile <b>T</b>	1001 N [225 lbs]	133 N [30 lbs]
Maximum Compressive <b>C</b>	2002 N [450 lbs]	133 N [30 lbs]
Maximum Moment <b>M<sub>x</sub></b>	23 Nm [200 in-lbs]	3 Nm [30 in-lbs]
Maximum Moment <b>M<sub>y</sub></b>	25 Nm [225 in-lbs]	5 Nm [40 in-lbs]
Maximum Moment <b>M<sub>x</sub></b>	23 Nm [200 in-lbs]	3 Nm [30 in-lbs]

\*Capacities are per set of jaws and are not simultaneous



Total Additional Grip Force	Spring Open	Spring Close
@ Full Open	26 N [6 lbs]	66 N [15 lbs]
@ Full Close	97 N [22 lbs]	26 N [6 lbs]



DPG-10M-4	Static	Dynamic
Maximum Tensile <b>T</b>	1112 N [250 lbs]	156 N [35 lbs]
Maximum Compressive <b>C</b>	2113 N [475 lbs]	156 N [35 lbs]
Maximum Moment <b>M<sub>x</sub></b>	25 Nm [225 in-lbs]	4 Nm [35 in-lbs]
Maximum Moment <b>M<sub>y</sub></b>	28 Nm [250 in-lbs]	5 Nm [45 in-lbs]
Maximum Moment <b>M<sub>x</sub></b>	25 Nm [225 in-lbs]	4 Nm [35 in-lbs]

\*Capacities are per set of jaws and are not simultaneous

Dimensions and technical information are subject to change without notice

GR-GEN-30



# RDH SERIES

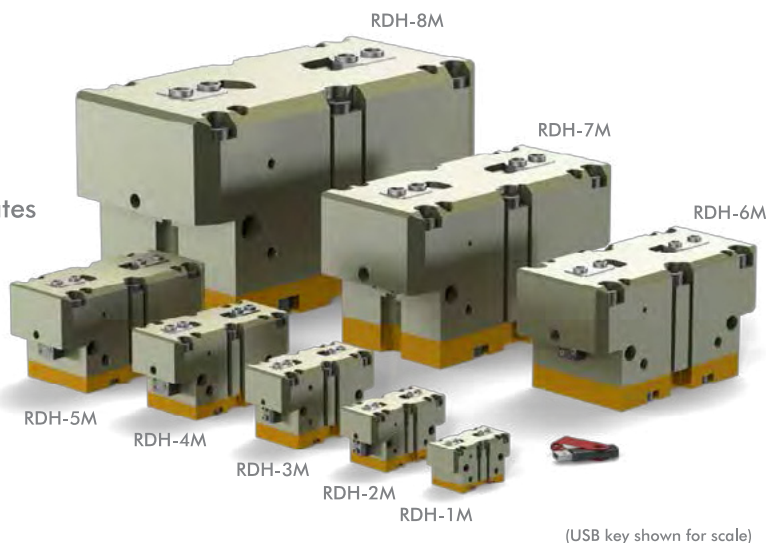
## 2-Jaw General Industrial Grippers | Features and Benefits | How To Order

### Features:

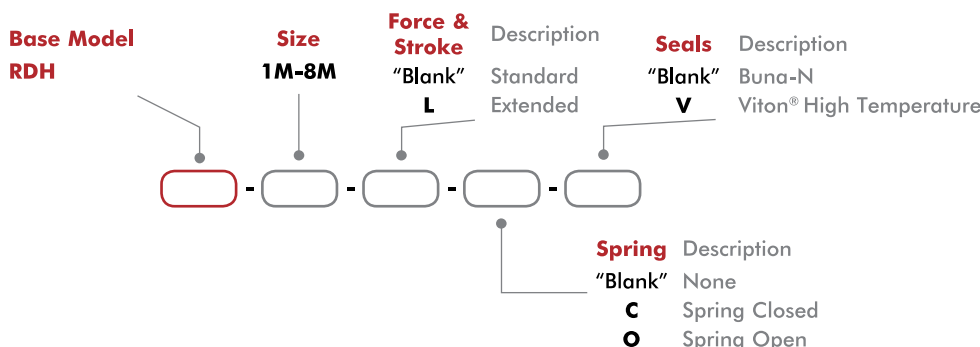
- Rugged multi-purpose powerful gripper
- 8 sizes for small lightweight to very large and heavy part gripping
- High impact resistant with double wedge design
- Shielded gripper to repel metal chips and particulates
- Spring assist option maintains grip in case of air pressure loss
- Purge and scavenge ports for harsh & clean environments
- Multi-position sensing up to 4 locations

### Applications:

- High particulate application environments
- Automotive engine block and gantry systems
- Ideal for very heavy part gripping



### How To Order



### Accessories

Sensor Accessories	Model Numbers	Part Number	Qty/Unit
8mm PNP Magneto Resistive Sensor (90° barrel) w/ M8 Qk. Disc*	All Models	OHSP-011	1-4
8mm NPN Magneto Resistive Sensor (90° barrel) w/ M8 Qk. Disc*	All Models	OHSN-011	1-4
8mm PNP Magneto Resistive Sensor Short Barrel w/ M8 Qk Disc*	All Models	OHSP-017	1-4
8mm NPN Magneto Resistive Sensor Short Barrel w/ M8 Qk Disc*	All Models	OHSN-017	1-4
8mm PNP Inductive Sensor w/ M12 Quick Disconnect*	RDH-4M, -5M, -6M	OISP-011	1-2
8mm NPN Inductive Sensor w/ M12 Quick Disconnect*	RDH-4M, -5M, -6M	OISN-011	1-2
12mm PNP Inductive Sensor w/ M12 Quick Disconnect*	RDH-7M, -8M	OISP-017	1-2
12mm NPN Inductive Sensor w/ M12 Quick Disconnect*	RDH-7M, -8M	OISN-017	1-2
M8 Quick Disconnect 2 Meter Cable Length*	All Models	CABL-010	1-4
M8 Quick Disconnect 5 Meter Cable Length*	All Models	CABL-013	1-4
M12 Quick Disconnect 2 Meter Cable Length*	RDH-7M, -8M	CABL-014	1-2
M12 Quick Disconnect 5 Meter Cable Length*	RDH-7M, -8M	CABL-018	1-2

Pneumatic Accessories	Model Numbers	Part Number	Qty/Unit
M5 Adjustable Flow Control	RDH-1M, -2M, -3M	VLVF-008	1-2
G 1/4" Adjustable Flow Control	RDH-4M, -5M, -6M, -7M	VLVF-005	1-2
G 1/8" Adjustable Flow Control	RDH-8M	VLVF-010	1-2

\* Sensor and cable sold separately.



GR-GEN-31

Dimensions and technical information are subject to change without notice

## RDH SERIES

## 2-Jaw General Industrial Grippers | Technical Specifications

Specifications	Units	1M	1M-L	2M	2M-L	3M	3M-L	4M	4M-L
Total Rated Grip Force <b>F</b> @ 100 psi [7 bar] w/o Spring Assist	N [lbs]	682 [153]	443 [100]	1238 [278]	812 [183]	2078 [467]	1349 [303]	3644 [819]	2366 [532]
Total Rated Grip Force <b>F</b> @ 100 psi [7 bar] with Spring Assist	N [lbs]	889 [200]	579 [130]	1490 [335]	979 [220]	2627 [591]	1708 [384]	4562 [1026]	2967 [667]
Total Stroke	mm [in]	4 [0.16]	8 [0.32]	6 [0.24]	12 [0.47]	8 [0.31]	16 [0.63]	10 [0.39]	20 [0.79]
Weight	kg [lbs]	0.25 [0.6]		1.2 [0.53]		1.08 [2.4]		1.95 [4.3]	
Pressure Range w/o Spring	bar [psi]	2-7 [30-100]							
Pressure Range with Spring	bar [psi]	4-7 [60-100]				3.5-7 [50-100]		3-7 [45-100]	
Max. Vacuum for Scavenge Port	mm Hg [in Hg]	200 [8]							
Max. Pressure for Purge Port	bar [psi]	2.1 [30]							
Ingress Protection Class (IP)		IP55							
Displacement	cm <sup>3</sup> [in <sup>3</sup> ]	6.5 [0.40]		17 [1.05]		37 [2.30]		80 [4.90]	
Temperature Range (Buna-N seals)	°C [°F]	-35°~80° [-30°~180°]							
Temperature Range (Viton® seals)	°C [°F]	-30°~150° [-20°~300°]							
Actuation (open/close)	sec.	0.06		0.07		0.08		0.1	
Accuracy	mm [in]	±0.04 [±0.002]				±0.06 [±0.0024]			
Repeatability	mm [in]	±0.02 [±0.001]				±0.03 [±0.0012]			
Valve to Actuate Single Acting		3-way, 2-position							
Valve to Actuate Double Acting		4-way, 2-position							

Specifications (cont.)	Units	5M	5M-L	6M	6M-L	7M	7M-L	8M	8M-L	
Total Rated Grip Force <b>F</b> @ 100 psi [7 bar] w/o Spring Assist	N [lbs]	6353 [1428]	4125 [927]	10202 [2294]	6629 [1490]	17165 [3859]	11102 [2496]	35288 [7933]	22784 [5122]	
Total Rated Grip Force <b>F</b> @ 100 psi [7 bar] with Spring Assist	N [lbs]	7877 [1771]	5124 [1152]	13786 [3099]	8971 [2017]	22093 [4967]	14322 [3222]	44354 [9971]	28690 [6450]	
Total Stroke	mm [in]	13 [0.51]	26 [1.02]	16 [0.63]	32 [1.26]	25 [0.98]	50 [1.97]	35 [1.38]	70 [2.76]	
Weight	kg [lbs]	3.9 [8.6]		7.89 [17.4]		15.7 [34.6]		43.9 [96.8]		
Pressure Range w/o Spring	bar [psi]	2-7 [30-100]								
Pressure Range with Spring	bar [psi]	3-7 [45-100]			4-7 [55-100]			3.5-7 [50-100]		
Max. Vacuum for Scavenge Port	mm Hg [in Hg]	20 [8]								
Max. Pressure for Purge Port	bar [psi]	2.1 [30]								
Ingress Protection Class (IP)		IP55								
Displacement	cm <sup>3</sup> [in <sup>3</sup> ]	180 [11.0]		355 [22]		940 [57]		2720 [166]		
Temperature Range (Buna-N seals)	°C [°F]	-35°~80° [-30°~180°]								
Temperature Range (Viton® seals)	°C [°F]	-30°~150° [-20°~300°]								
Actuation (open/close)	sec.	0.19		0.236		0.85		1.7		
Accuracy	mm [in]	±0.06 [±0.0024]			±0.08 [±0.0031]			±0.1 [±0.0039]		
Repeatability	mm [in]	±0.03 [±0.0012]			±0.04 [±0.0016]			±0.05 [±0.002]		
Valve to Actuate Single Acting		3-way, 2-position								
Valve to Actuate Double Acting		4-way, 2-position								

Dimensions and technical information are subject to change without notice

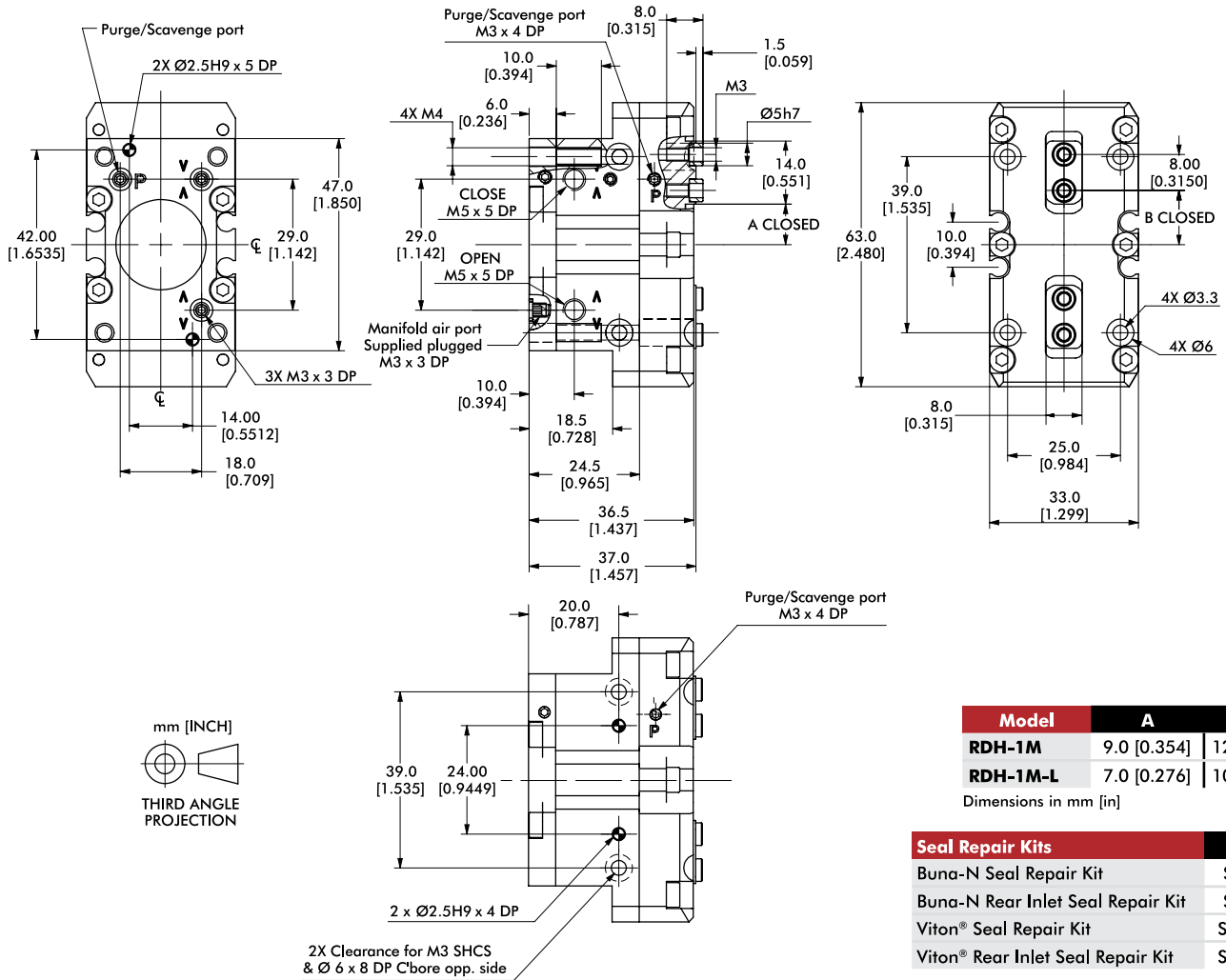
GR-GEN-32



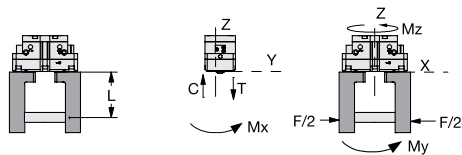
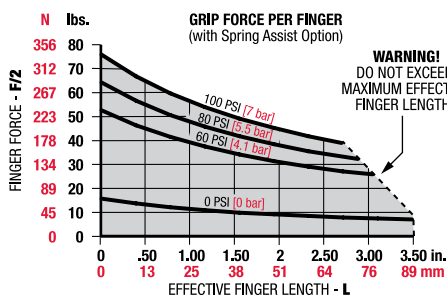


# RDH-1M, -1M-L

## 2-Jaw General Industrial Grippers | Dimensions and Technical Specifications

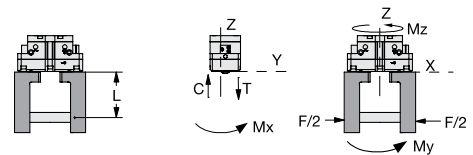
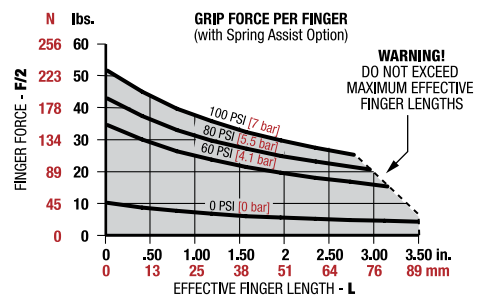


### Loading Information



RDH-1M	Static	Dynamic
Maximum Tensile <b>T</b>	594 N [134 lbs]	74 N [17 lbs]
Maximum Compressive <b>C</b>	779 N [175 lbs]	74 N [17 lbs]
Maximum Moment <b>M<sub>x</sub></b>	18 Nm [159 in-lbs]	2 Nm [18 in-lbs]
Maximum Moment <b>M<sub>y</sub></b>	23 Nm [204 in-lbs]	2 Nm [18 in-lbs]
Maximum Moment <b>M<sub>z</sub></b>	14 Nm [124 in-lbs]	2 Nm [18 in-lbs]

<sup>1</sup>Capacities are per set of jaws and are not simultaneous



RDH-1M-L	Static	Dynamic
Maximum Tensile <b>T</b>	540 N [121 lbs]	48 N [11 lbs]
Maximum Compressive <b>C</b>	708 N [159 lbs]	48 N [11 lbs]
Maximum Moment <b>M<sub>x</sub></b>	16 Nm [142 in-lbs]	1 Nm [9 in-lbs]
Maximum Moment <b>M<sub>y</sub></b>	19 Nm [168 in-lbs]	1 Nm [9 in-lbs]
Maximum Moment <b>M<sub>z</sub></b>	12 Nm [106 in-lbs]	1 Nm [9 in-lbs]

<sup>1</sup>Capacities are per set of jaws and are not simultaneous

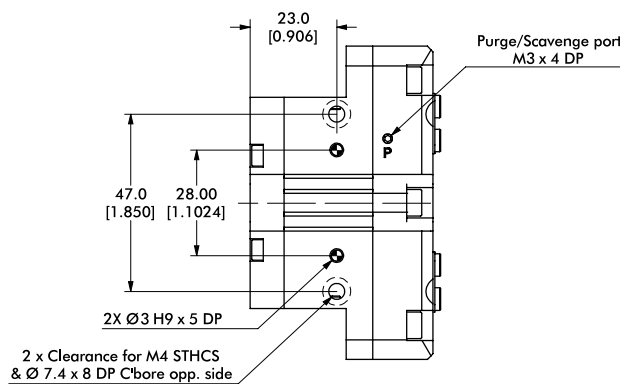
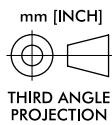
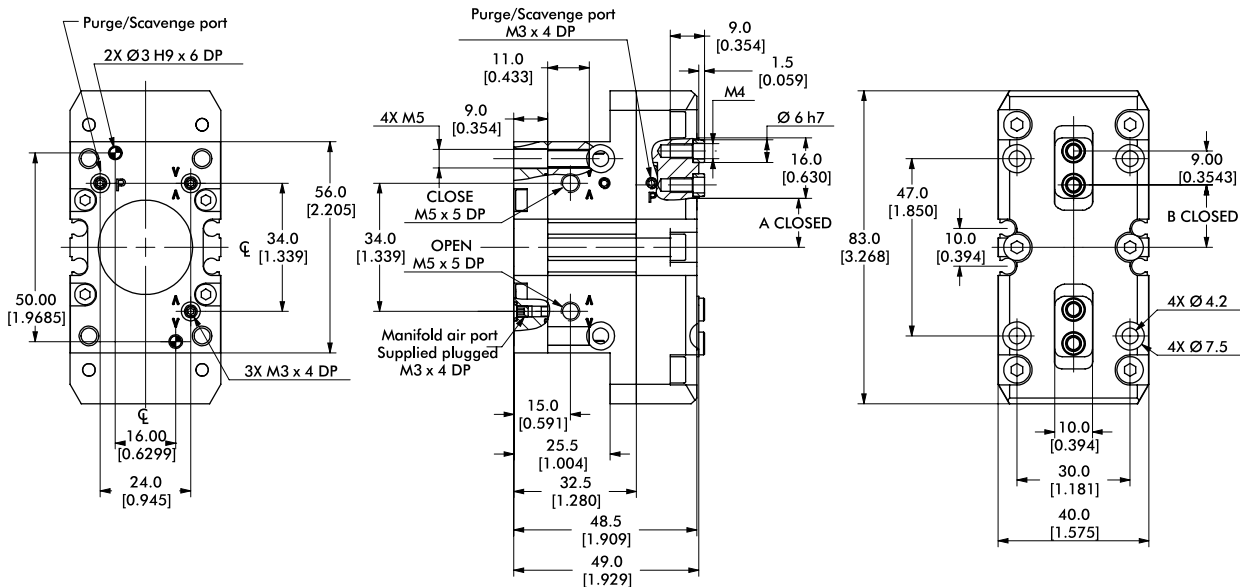


GR-GEN-33

Dimensions and technical information are subject to change without notice

# RDH-2M, -2M-L

## 2-Jaw General Industrial Grippers | Dimensions and Technical Specifications

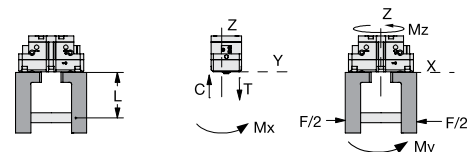
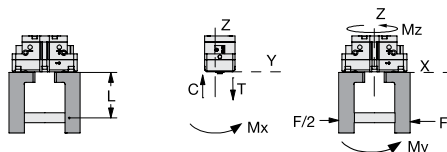
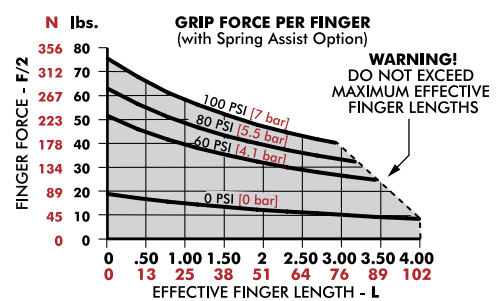
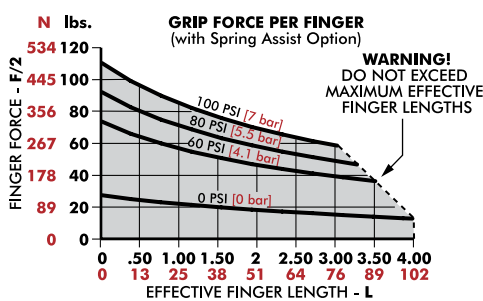


Model	A	B
RDH-2M	13.0 [0.512]	16.5 [0.650]
RDH-2M-L	10.0 [0.394]	13.5 [0.531]

Dimensions in mm [in]

Seal Repair Kits	RDH-2M
Buna-N Seal Repair Kit	SLKT-417
Buna-N Rear Inlet Seal Repair Kit	SLKT-363
Viton® Seal Repair Kit	SLKT-417V
Viton® Rear Inlet Seal Repair Kit	SLKT-363V

### Loading Information



RDH-2M	Static	Dynamic
Maximum Tensile <b>T</b>	849 N [191 lbs]	81 N [18 lbs]
Maximum Compressive <b>C</b>	1103 N [248 lbs]	81 N [18 lbs]
Maximum Moment <b>M<sub>x</sub></b>	36 Nm [319 in-lbs]	3 Nm [27 in-lbs]
Maximum Moment <b>M<sub>y</sub></b>	51 Nm [451 in-lbs]	4 Nm [35 in-lbs]
Maximum Moment <b>M<sub>z</sub></b>	32 Nm [283 in-lbs]	4 Nm [35 in-lbs]

\*Capacities are per set of jaws and are not simultaneous

RDH-2M-L	Static	Dynamic
Maximum Tensile <b>T</b>	764 N [172 lbs]	53 N [12 lbs]
Maximum Compressive <b>C</b>	993 N [223 lbs]	53 N [12 lbs]
Maximum Moment <b>M<sub>x</sub></b>	32 Nm [283 in-lbs]	2 Nm [18 in-lbs]
Maximum Moment <b>M<sub>y</sub></b>	41 Nm [363 in-lbs]	2 Nm [18 in-lbs]
Maximum Moment <b>M<sub>z</sub></b>	26 Nm [230 in-lbs]	2 Nm [18 in-lbs]

\*Capacities are per set of jaws and are not simultaneous

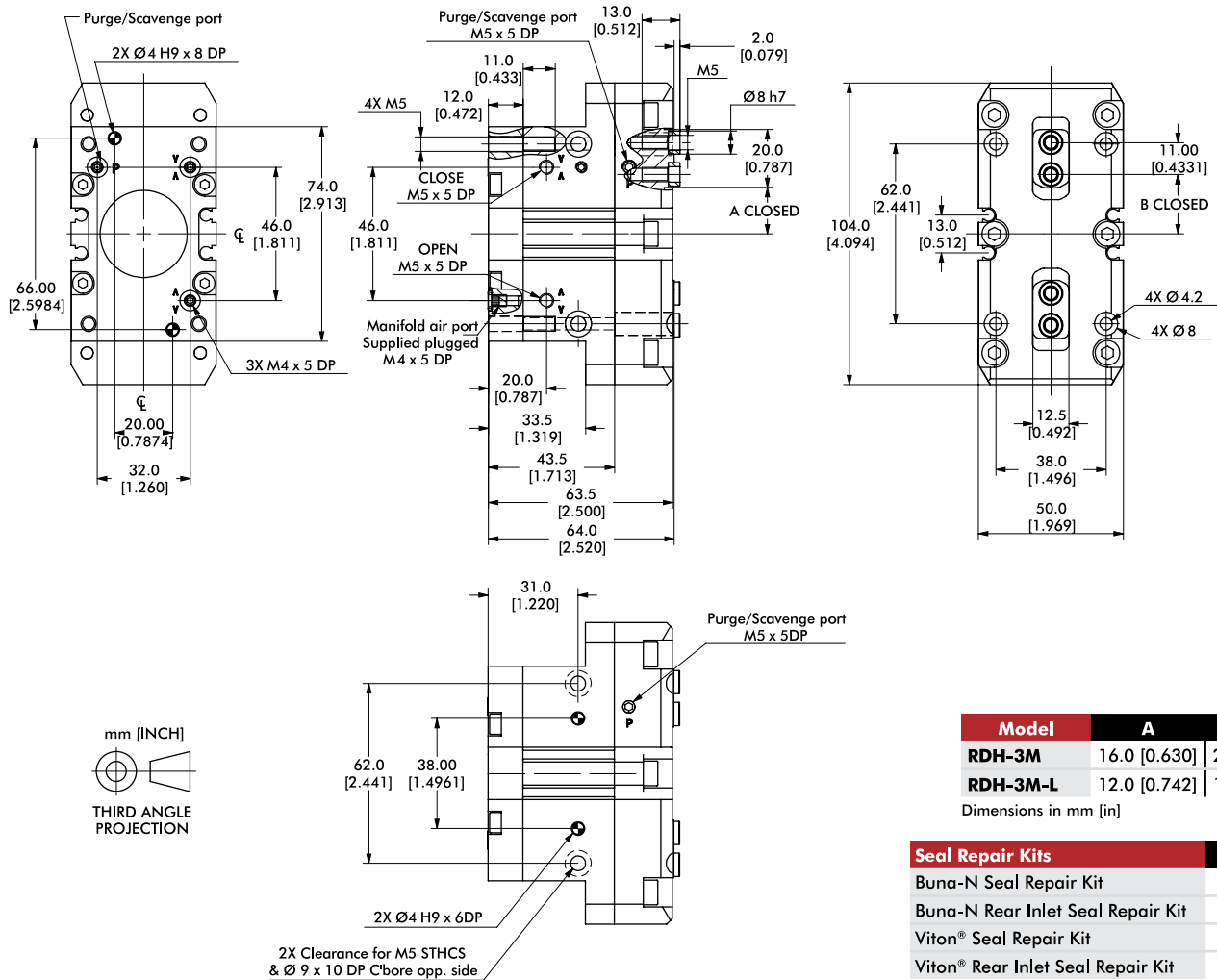
Dimensions and technical information are subject to change without notice

GR-GEN-34

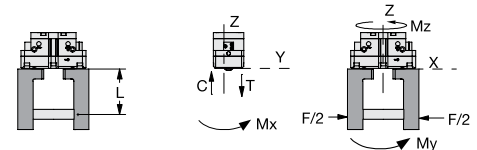
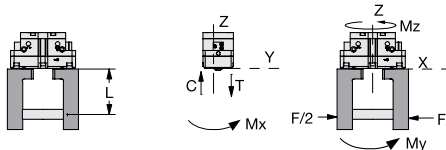
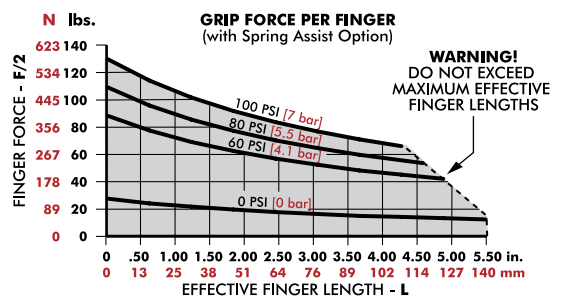
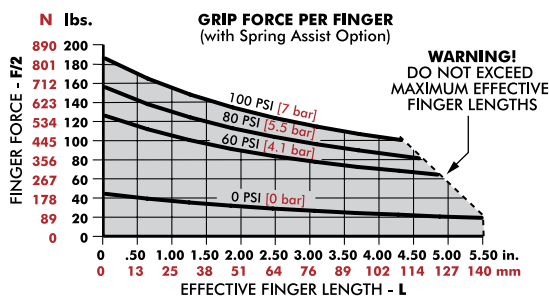


# RDH-3M, -3M-L

## 2-Jaw General Industrial Grippers | Dimensions and Technical Specifications



### Loading Information



RDH-3M	Static	Dynamic
Maximum Tensile <b>T</b>	1284 N [289 lbs]	196 N [44 lbs]
Maximum Compressive <b>C</b>	1665 N [374 lbs]	196 N [44 lbs]
Maximum Moment <b>M<sub>x</sub></b>	58 Nm [513 in-lbs]	7 Nm [62 in-lbs]
Maximum Moment <b>M<sub>y</sub></b>	83 Nm [735 in-lbs]	11 Nm [97 in-lbs]
Maximum Moment <b>M<sub>z</sub></b>	54 Nm [478 in-lbs]	11 Nm [97 in-lbs]

Capacities are per set of jaws and are not simultaneous

RDH-3M-L	Static	Dynamic
Maximum Tensile <b>T</b>	1146 N [258 lbs]	127 N [29 lbs]
Maximum Compressive <b>C</b>	1485 N [334 lbs]	127 N [29 lbs]
Maximum Moment <b>M<sub>x</sub></b>	52 Nm [460 in-lbs]	5 Nm [44 in-lbs]
Maximum Moment <b>M<sub>y</sub></b>	66 Nm [584 in-lbs]	6 Nm [53 in-lbs]
Maximum Moment <b>M<sub>z</sub></b>	43 Nm [381 in-lbs]	5 Nm [44 in-lbs]

Capacities are per set of jaws and are not simultaneous

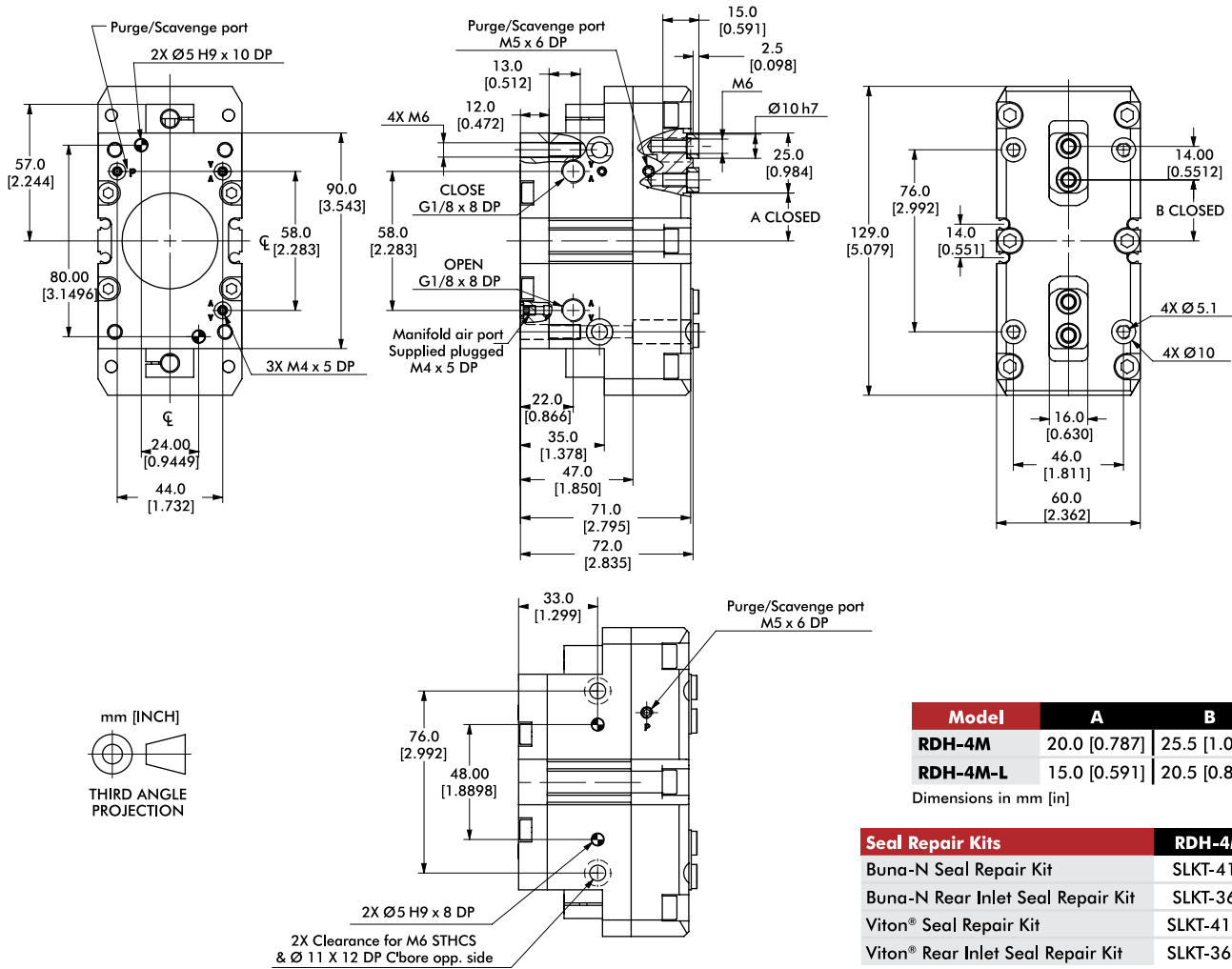


GR-GEN-35

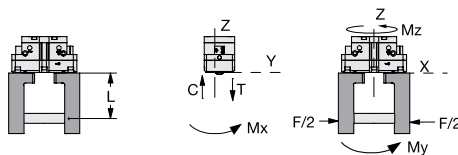
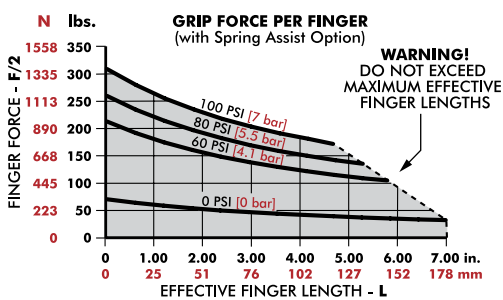
Dimensions and technical information are subject to change without notice

# RDH-4M, -4M-L

## 2-Jaw General Industrial Grippers | Dimensions and Technical Specifications

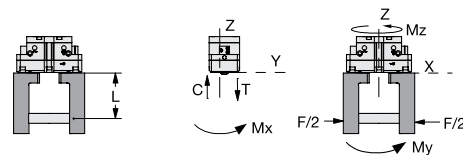
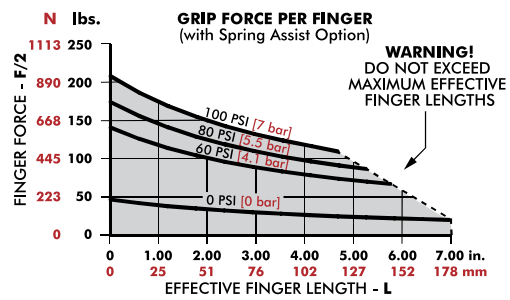


## Loading Information



RDH-4M	Static	Dynamic
Maximum Tensile <b>T</b>	1564 N [352 lbs]	259 N [58 lbs]
Maximum Compressive <b>C</b>	2070 N [465 lbs]	259 N [58 lbs]
Maximum Moment <b>M<sub>x</sub></b>	76 Nm [673 in-lbs]	10 Nm [89 in-lbs]
Maximum Moment <b>M<sub>y</sub></b>	106 Nm [938 in-lbs]	14 Nm [124 in-lbs]
Maximum Moment <b>M<sub>z</sub></b>	70 Nm [620 in-lbs]	14 Nm [124 in-lbs]

<sup>†</sup>Capacities are per set of jaws and are not simultaneous



RDH-4M-L	Static	Dynamic
Maximum Tensile <b>T</b>	1394 N [313 lbs]	168 N [38 lbs]
Maximum Compressive <b>C</b>	1845 N [415 lbs]	168 N [38 lbs]
Maximum Moment <b>M<sub>x</sub></b>	68 Nm [602 in-lbs]	6 Nm [53 in-lbs]
Maximum Moment <b>M<sub>y</sub></b>	84 Nm [743 in-lbs]	8 Nm [71 in-lbs]
Maximum Moment <b>M<sub>z</sub></b>	56 Nm [496 in-lbs]	8 Nm [71 in-lbs]

<sup>†</sup>Capacities are per set of jaws and are not simultaneous

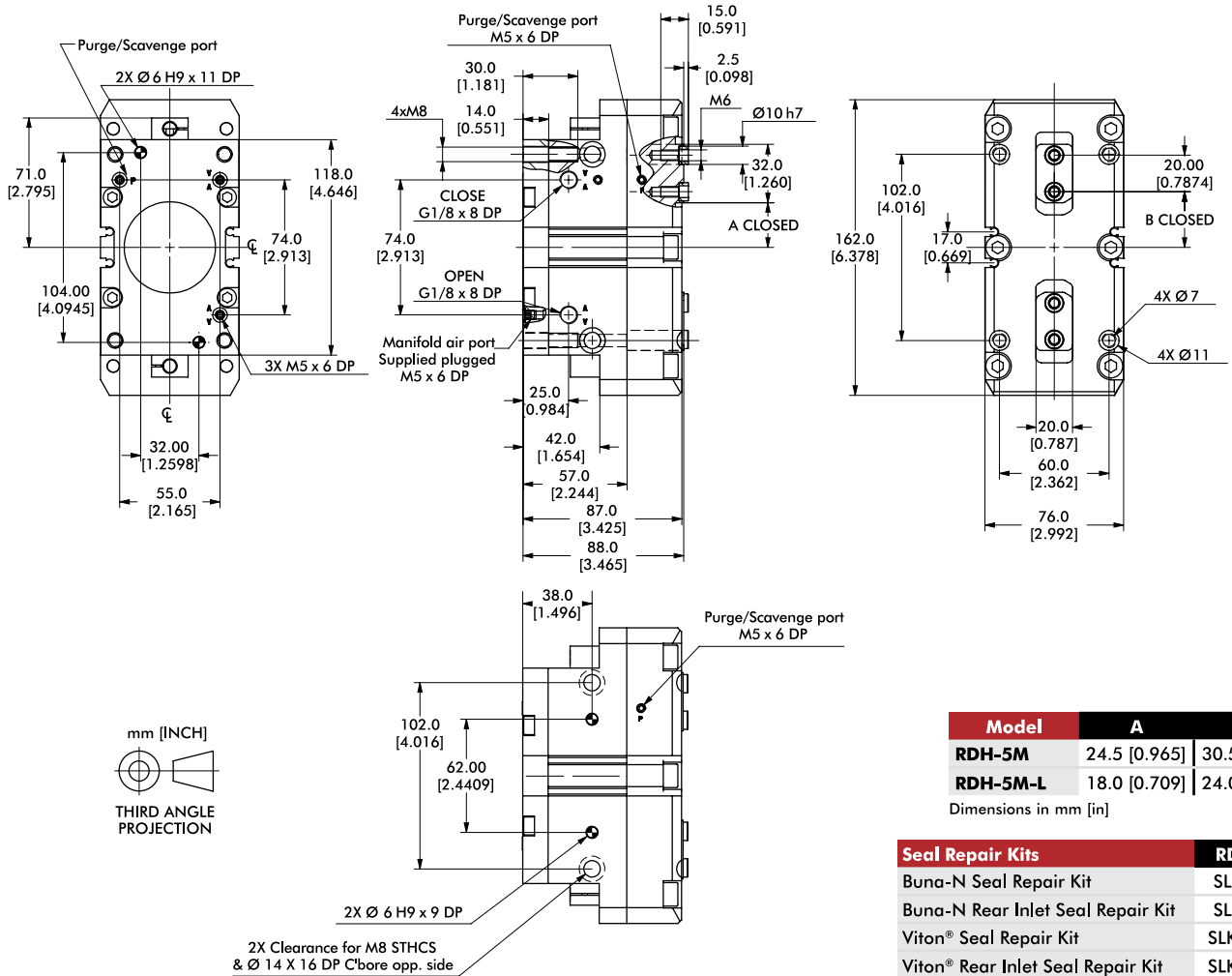
Dimensions and technical information are subject to change without notice

GR-GEN-36

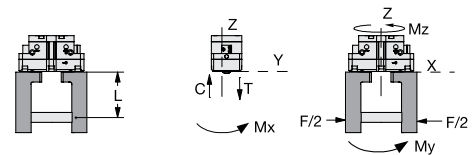
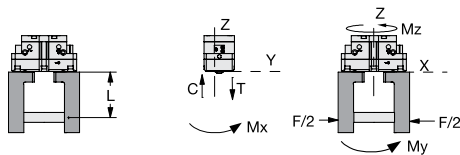
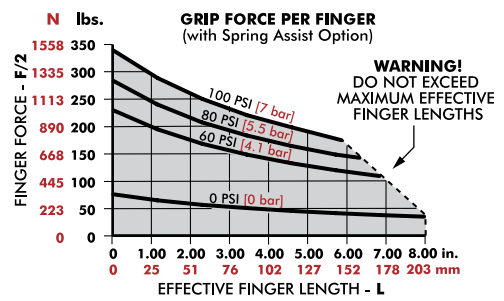
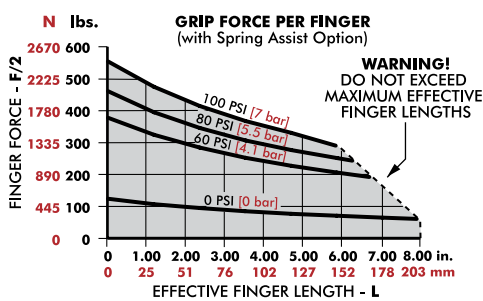


# RDH-5M, -5M-L

## 2-Jaw General Industrial Grippers | Dimensions and Technical Specifications



### Loading Information



RDH-5M	Static	Dynamic
Maximum Tensile <b>T</b>	2192 N [493 lbs]	428 N [96 lbs]
Maximum Compressive <b>C</b>	2923 N [657 lbs]	428 N [96 lbs]
Maximum Moment <b>M<sub>x</sub></b>	105 Nm [929 in-lbs]	16 Nm [142 in-lbs]
Maximum Moment <b>M<sub>y</sub></b>	148 Nm [1310 in-lbs]	22 Nm [195 in-lbs]
Maximum Moment <b>M<sub>x</sub></b>	97 Nm [859 in-lbs]	22 Nm [195 in-lbs]

\*Capacities are per set of jaws and are not simultaneous

RDH-5M-L	Static	Dynamic
Maximum Tensile <b>T</b>	1966 N [442 lbs]	278 N [62 lbs]
Maximum Compressive <b>C</b>	2621 N [589 lbs]	278 N [62 lbs]
Maximum Moment <b>M<sub>x</sub></b>	94 Nm [832 in-lbs]	10 Nm [89 in-lbs]
Maximum Moment <b>M<sub>y</sub></b>	119 Nm [1053 in-lbs]	13 Nm [115 in-lbs]
Maximum Moment <b>M<sub>x</sub></b>	78 Nm [690 in-lbs]	13 Nm [115 in-lbs]

\*Capacities are per set of jaws and are not simultaneous

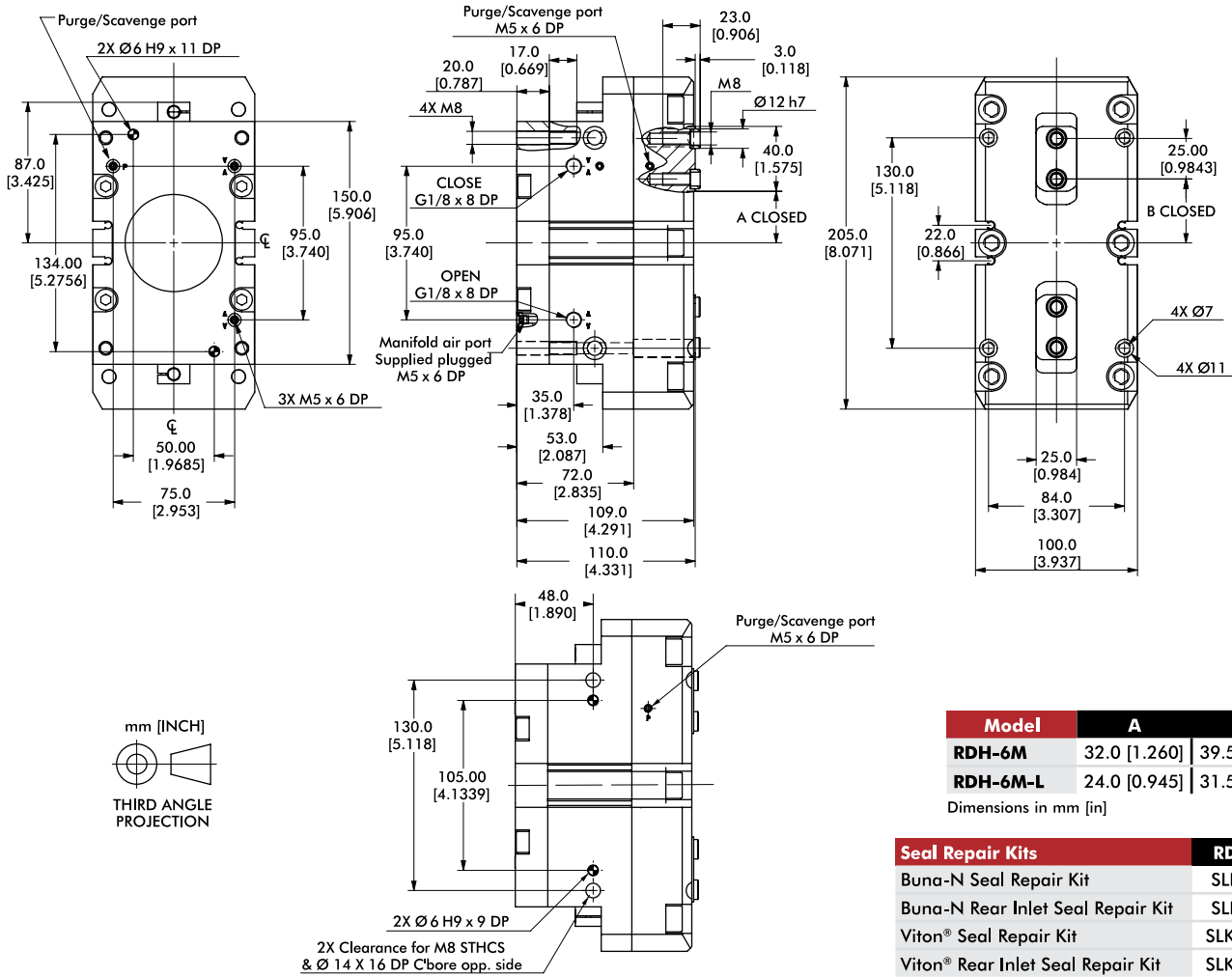


GR-GEN-37

Dimensions and technical information are subject to change without notice

# RDH-6M, -6M-L

## 2-Jaw General Industrial Grippers | Dimensions and Technical Specifications

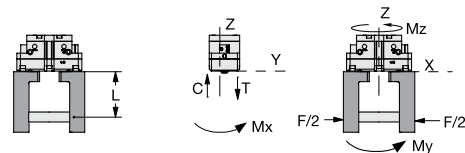
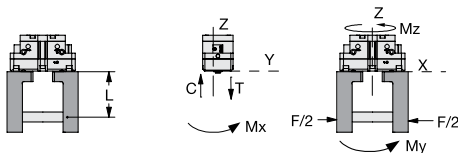
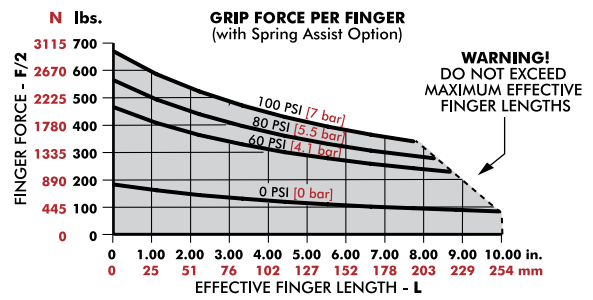
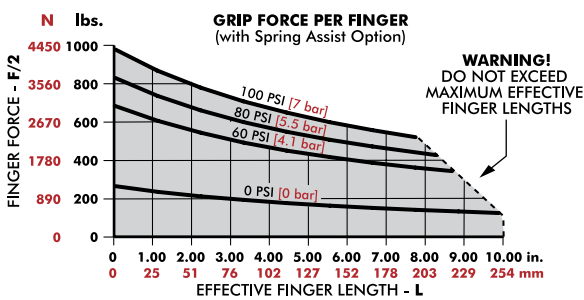


Model	A	B
RDH-6M	32.0 [1.260]	39.5 [1.555]
RDH-6M-L	24.0 [0.945]	31.5 [1.240]

Dimensions in mm [in]

Seal Repair Kits	RDH-6M
Buna-N Seal Repair Kit	SLKT-421
Buna-N Rear Inlet Seal Repair Kit	SLKT-365
Viton® Seal Repair Kit	SLKT-421V
Viton® Rear Inlet Seal Repair Kit	SLKT-365V

### Loading Information



RDH-6M	Static	Dynamic
Maximum Tensile <b>T</b>	3463 N [779 lbs]	827 N [186 lbs]
Maximum Compressive <b>C</b>	4649 N [1045 lbs]	827 N [186 lbs]
Maximum Moment <b>M<sub>x</sub></b>	136 Nm [1204 in-lbs]	28 Nm [248 in-lbs]
Maximum Moment <b>M<sub>y</sub></b>	197 Nm [1744 in-lbs]	41 Nm [363 in-lbs]
Maximum Moment <b>M<sub>z</sub></b>	130 Nm [1151 in-lbs]	41 Nm [363 in-lbs]

<sup>†</sup>Capacities are per set of jaws and are not simultaneous

RDH-6M-L	Static	Dynamic
Maximum Tensile <b>T</b>	3089 N [694 lbs]	537 N [121 lbs]
Maximum Compressive <b>C</b>	4146 N [932 lbs]	537 N [121 lbs]
Maximum Moment <b>M<sub>x</sub></b>	121 Nm [1071 in-lbs]	18 Nm [159 in-lbs]
Maximum Moment <b>M<sub>y</sub></b>	157 Nm [1390 in-lbs]	24 Nm [212 in-lbs]
Maximum Moment <b>M<sub>z</sub></b>	103 Nm [912 in-lbs]	24 Nm [212 in-lbs]

<sup>†</sup>Capacities are per set of jaws and are not simultaneous

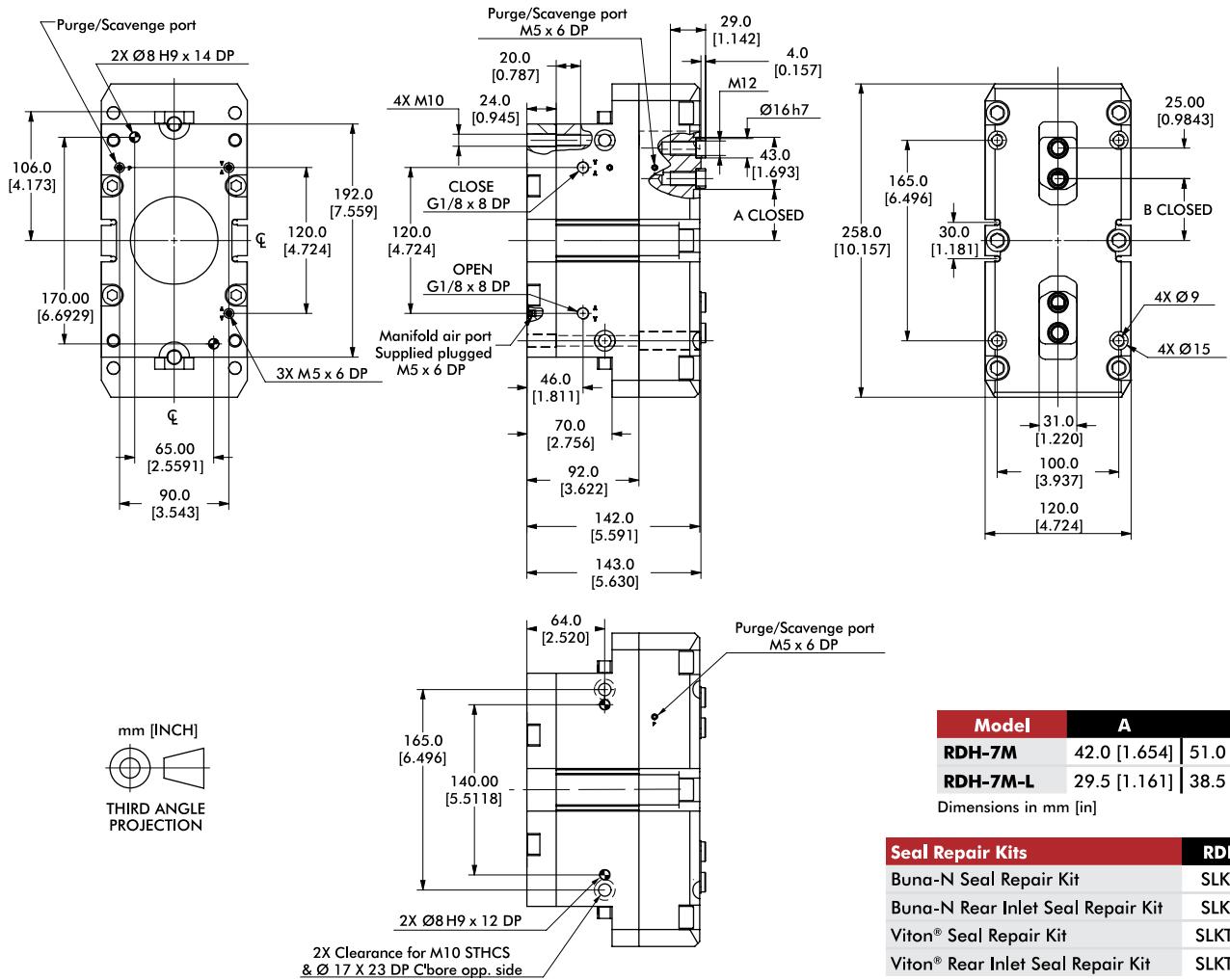
Dimensions and technical information are subject to change without notice

GR-GEN-38

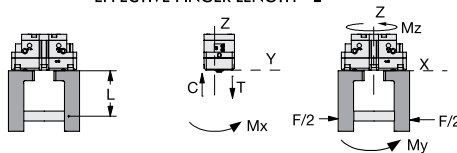
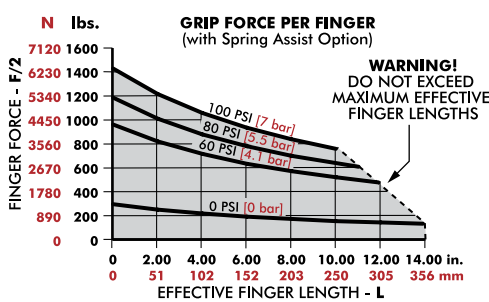


# RDH-7M, -7M-L

## 2-Jaw General Industrial Grippers | Dimensions and Technical Specifications

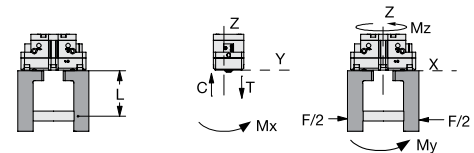
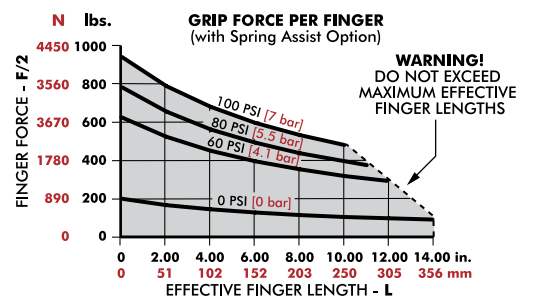


### Loading Information



RDH-7M	Static	Dynamic
Maximum Tensile <b>T</b>	4505 N [1013 lbs]	1048 N [236 lbs]
Maximum Compressive <b>C</b>	5938 N [1335 lbs]	1048 N [236 lbs]
Maximum Moment <b>M<sub>x</sub></b>	167 Nm [1478 in-lbs]	36 Nm [319 in-lbs]
Maximum Moment <b>M<sub>y</sub></b>	238 Nm [2106 in-lbs]	51 Nm [451 in-lbs]
Maximum Moment <b>M<sub>z</sub></b>	161 Nm [1425 in-lbs]	51 Nm [451 in-lbs]

\*Capacities are per set of jaws and are not simultaneous



RDH-7M-L	Static	Dynamic
Maximum Tensile <b>T</b>	3911 N [879 lbs]	678 N [152 lbs]
Maximum Compressive <b>C</b>	5155 N [1159 lbs]	678 N [152 lbs]
Maximum Moment <b>M<sub>x</sub></b>	145 Nm [1283 in-lbs]	23 Nm [204 in-lbs]
Maximum Moment <b>M<sub>y</sub></b>	179 Nm [1584 in-lbs]	29 Nm [257 in-lbs]
Maximum Moment <b>M<sub>z</sub></b>	122 Nm [1080 in-lbs]	29 Nm [257 in-lbs]

\*Capacities are per set of jaws and are not simultaneous

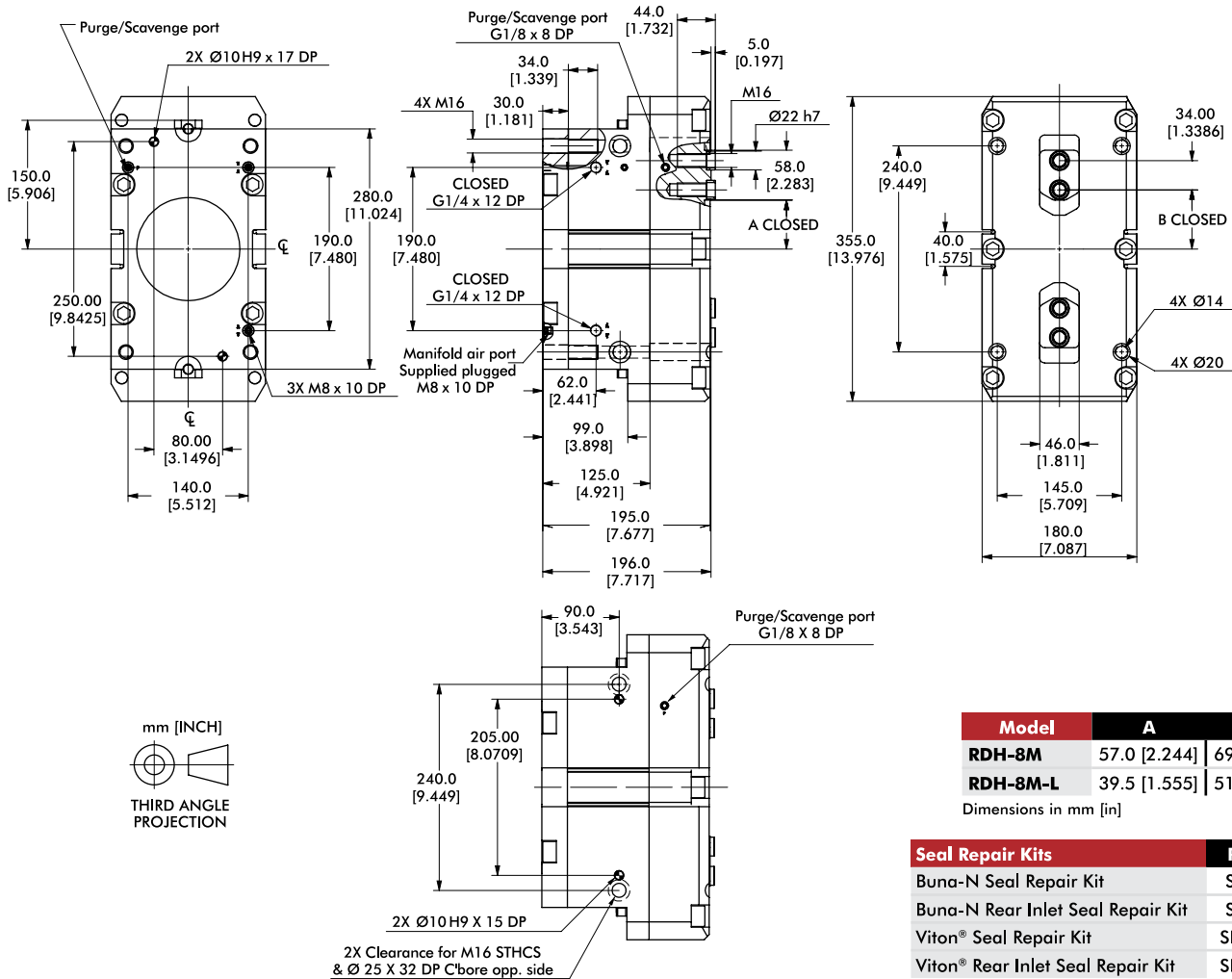


GR-GEN-39

Dimensions and technical information are subject to change without notice

# RDH-8M, -8M-L

## 2-Jaw General Industrial Grippers | Dimensions and Technical Specifications

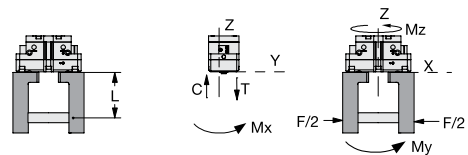
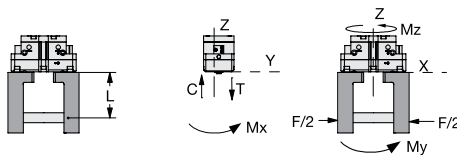
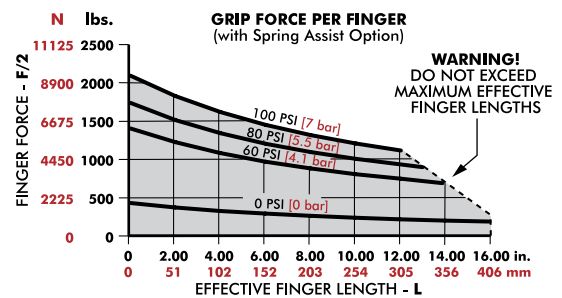
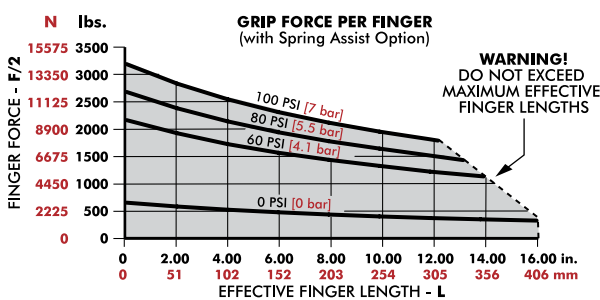


Model	A	B
RDH-8M	57.0 [2.244]	69.0 [2.717]
RDH-8M-L	39.5 [1.555]	51.5 [2.028]

Dimensions in mm [in]

Seal Repair Kits	RDH-8M
Buna-N Seal Repair Kit	SLKT-423
Buna-N Rear Inlet Seal Repair Kit	SLKT-366
Viton® Seal Repair Kit	SLKT-423V
Viton® Rear Inlet Seal Repair Kit	SLKT-366V

### Loading Information



RDH-8M	Static	Dynamic
Maximum Tensile <b>T</b>	6863 N [1543 lbs]	1743 N [392 lbs]
Maximum Compressive <b>C</b>	8921 N [2006 lbs]	1743 N [392 lbs]
Maximum Moment <b>M<sub>x</sub></b>	379 Nm [3354 in-lbs]	84 Nm [743 in-lbs]
Maximum Moment <b>M<sub>y</sub></b>	481 Nm [4257 in-lbs]	107 Nm [947 in-lbs]
Maximum Moment <b>M<sub>z</sub></b>	301 Nm [2664 in-lbs]	107 Nm [947 in-lbs]

<sup>†</sup>Capacities are per set of jaws and are not simultaneous

RDH-8M-L	Static	Dynamic
Maximum Tensile <b>T</b>	5906 N [1328 lbs]	1125 N [253 lbs]
Maximum Compressive <b>C</b>	7678 N [1726 lbs]	1125 N [253 lbs]
Maximum Moment <b>M<sub>x</sub></b>	326 Nm [2885 in-lbs]	54 Nm [478 in-lbs]
Maximum Moment <b>M<sub>y</sub></b>	357 Nm [3160 in-lbs]	59 Nm [522 in-lbs]
Maximum Moment <b>M<sub>z</sub></b>	223 Nm [1974 in-lbs]	59 Nm [522 in-lbs]

<sup>†</sup>Capacities are per set of jaws and are not simultaneous

Dimensions and technical information are subject to change without notice

GR-GEN-40





# REP2 SERIES

## 2-Jaw General Industrial Grippers | Product Features, How to Order

### Features:

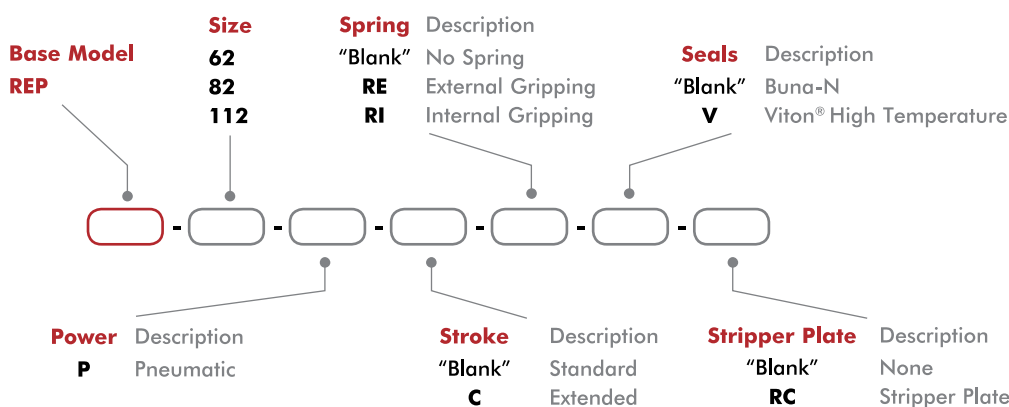
- Compact cam lever design general purpose gripper
- Pneumatic and Hydraulic operation options
- Spring assist option for part retention in case of air pressure loss
- Standard and extended stroke option available
- Shielded design for harsh environments
- Magneto-resistive and Inductive sensing

### Applications:

- Assembly manufacturing cells
- Packaging applications
- General purpose gripping



### How To Order



### Accessories

Sensor Accessories	Model Numbers	Part Number	Qty/Unit
NPN Inductive Sensor with M8 Quick Disconnect*	All Models	OISN-011	1-4
PNP Inductive Sensor with M8 Quick Disconnect*	All Models	OISP-011	1-4
NPN Magneto Resistive Sensor with Quick Disconnect*	All Models	OHSN-006	1-2
PNP Magneto Resistive Sensor with Quick Disconnect*	All Models	OHSP-006	1-2
NPN Magneto Resistive Sensor (Short Barrel) with Qk Disconnect*	All Models	OHSN-008	1-2
PNP Magneto Resistive Sensor (Short Barrel) with Qk Disconnect*	All Models	OHSP-008	1-2
M8 Quick Disconnect 2 Meter Cable Length*	All Models	CABL-010	1-4
M8 Quick Disconnect 2 Meter Cable Length*	All Models	CABL-013	1-4
Inductive Sensor Kit (Mounts 2 Sensors)	62	OSMK-102	1-2
Inductive Sensor Kit (Mounts 2 Sensors)	82	OSMK-103	1-2
Inductive Sensor Kit (Mounts 2 Sensors)	112	OSMK-104	1-2

\* Sensor and cable sold separately.



GR-GEN-41

Dimensions and technical information are subject to change without notice

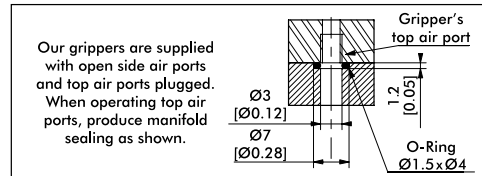
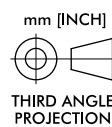
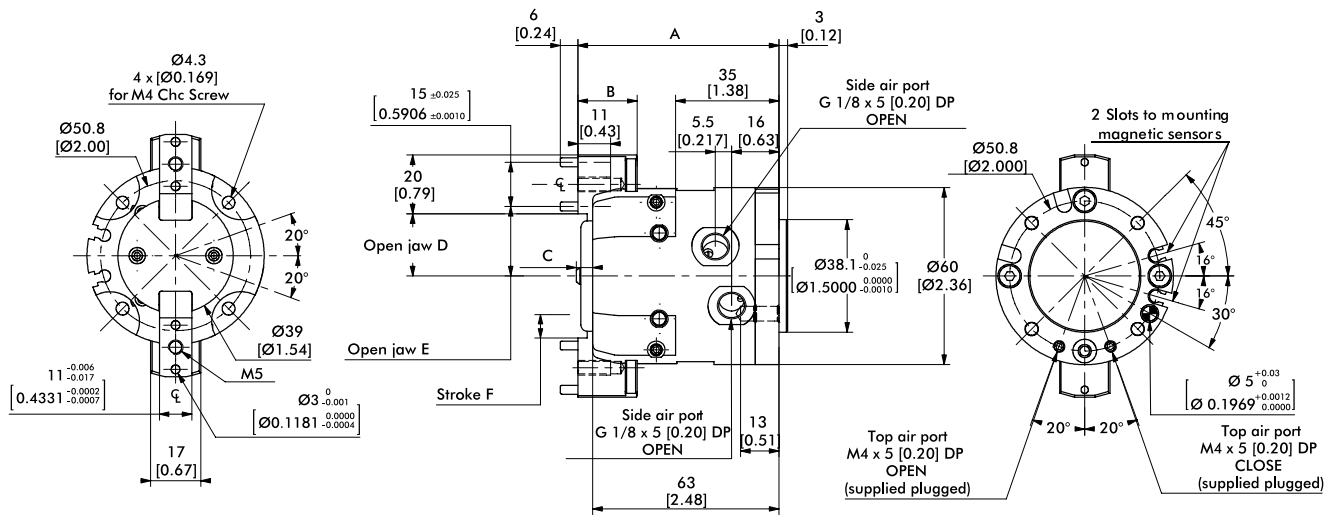
**REP2 SERIES****2-Jaw General Industrial Grippers | Technical Specifications**

Specifications	Units	62	62-C	82	82-C	112	112-C
Total Rated Grip Force <b>F</b> @ 100 psi [7 bar]*	N [lbs]	771 [173]	480 [108]	2140 [481]	1382 [311]	3351 [753]	2233 [502]
Total Stroke	mm [in]	10 [0.394]	16 [0.630]	13 [0.512]	20 [0.787]	20 [0.787]	30 [1.181]
Weight	kg [lbs]	0.55 [1.2]		0.9 [2.0]		2.45 [5.4]	
Pressure Range w/o Spring	bar [psi]	2-7 [30-100]					
Pressure Range with Spring	bar [psi]	3-7 [45-100]		4-7 [60-100]			
Ingress Protection Class (IP)		IP55					
Displacement	cm <sup>3</sup> [in <sup>3</sup> ]	12 [0.72]		35 [2.13]		87 [5.31]	
Temperature Range (Buna-N seals)	°C [°F]	-35°~80° [-30°~180°]					
Temperature Range (Viton® seals)	°C [°F]	-30°~150° [-20°~300°]					
Actuation (open/close)	sec	0.10		0.18		0.35	
Accuracy	mm [in]	±0.05 [±0.002]					
Repeatability	mm [in]	±0.02 [±0.0008]					
Valve to Actuate Single Acting		3-way, 2-position					
Valve to Actuate Double Acting		4-way, 2-position					

\* with springs

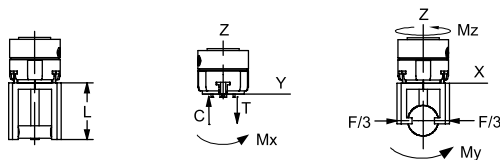
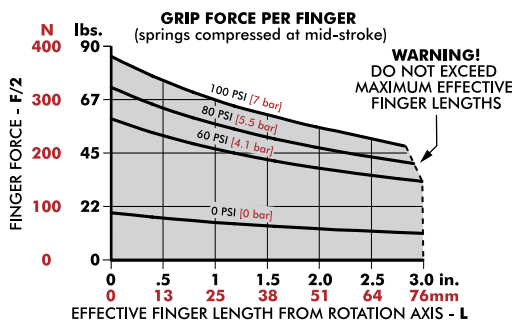
# REP-62, -62-C

## 2-Jaw General Industrial Grippers | Dimensions and Technical Specifications



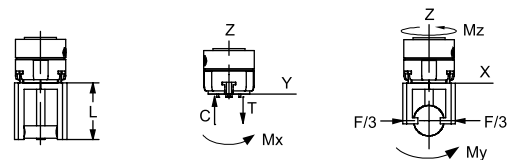
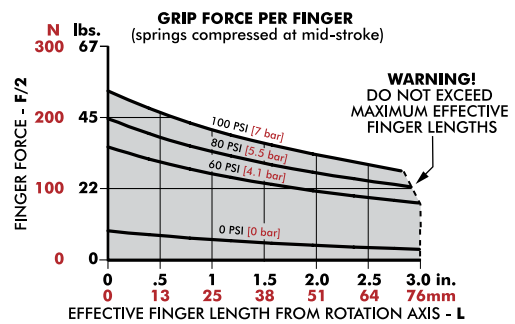
Model	A	B	C	D	E	F	Seal Repair Kits	REP-62
REP-62	64 [2.52]	16 [0.63]	1.6 [0.063]	15 [0.59]	17.5 [0.689]	5 [0.20]	Buna-N Seal Repair Kit	SLKT-155
REP-62-C	68 [2.68]	20 [0.79]	5.6 [0.220]	21 [0.83]	23.5 [0.926]	8 [0.31]	Viton® Seal Repair Kit	SLKT-155V

### Loading Information



REP-62	Static
Maximum Tensile <b>T</b>	575 N [129 lbs]
Maximum Compressive <b>C</b>	760 N [171 lbs]
Maximum Moment <b>M<sub>x</sub></b>	13 Nm [115 in-lbs]
Maximum Moment <b>M<sub>y</sub></b>	23 Nm [204 in-lbs]
Maximum Moment <b>M<sub>x</sub></b>	36 Nm [319 in-lbs]

\*Capacities are per set of jaws and are not simultaneous



REP-62-C	Static
Maximum Tensile <b>T</b>	575 N [129 lbs]
Maximum Compressive <b>C</b>	760 N [171 lbs]
Maximum Moment <b>M<sub>x</sub></b>	13 Nm [115 in-lbs]
Maximum Moment <b>M<sub>y</sub></b>	23 Nm [204 in-lbs]
Maximum Moment <b>M<sub>x</sub></b>	36 Nm [319 in-lbs]

\*Capacities are per set of jaws and are not simultaneous

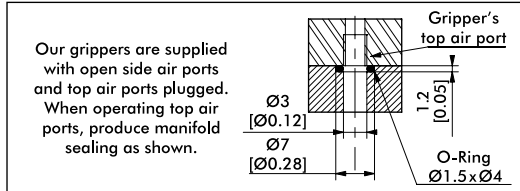
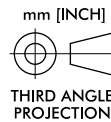
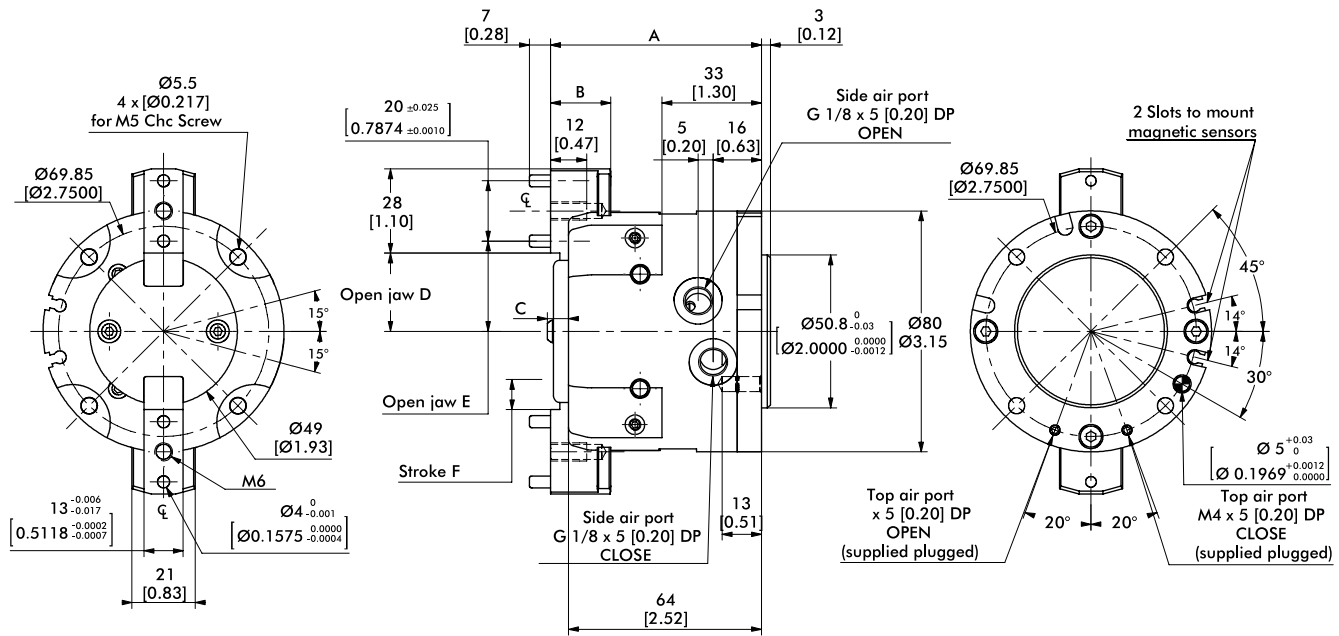


GR-GEN-43

Dimensions and technical information are subject to change without notice

# REP-82, -82-C

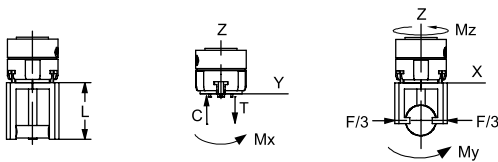
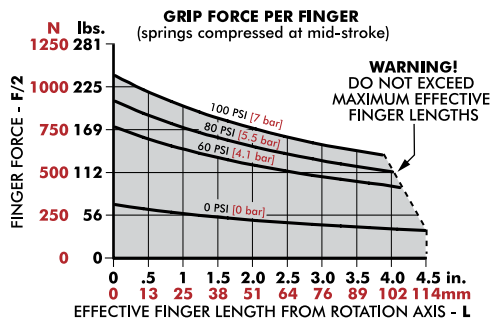
## 2-Jaw General Industrial Grippers | Dimensions and Technical Specifications



Model	A	B	C	D	E	F
REP-82	65 [2.56]	15 [0.59]	2.1 [0.083]	19 [0.75]	23 [0.91]	6.5 [0.26]
REP-82-C	70 [2.76]	20 [0.79]	7.1 [0.280]	26 [1.02]	30 [1.18]	10 [0.39]

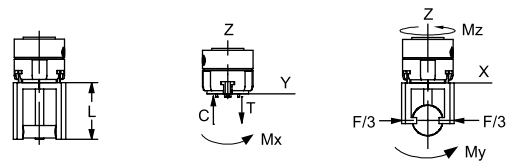
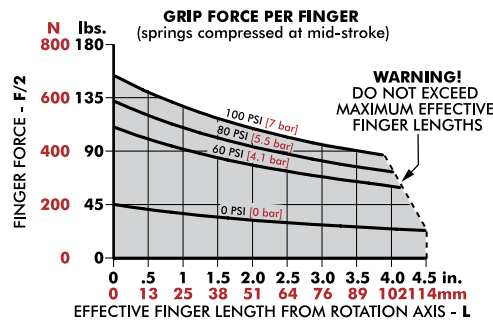
Seal Repair Kits	REP-82
Buna-N Seal Repair Kit	SLKT-157
Viton® Seal Repair Kit	SLKT-157V

### Loading Information



REP-82	Static
Maximum Tensile <b>T</b>	890 N [200 lbs]
Maximum Compressive <b>C</b>	1000 N [225 lbs]
Maximum Moment <b>M<sub>x</sub></b>	22 Nm [195 in-lbs]
Maximum Moment <b>M<sub>y</sub></b>	45 Nm [398 in-lbs]
Maximum Moment <b>M<sub>x</sub></b>	45 Nm [398 in-lbs]

\*Capacities are per set of jaws and are not simultaneous

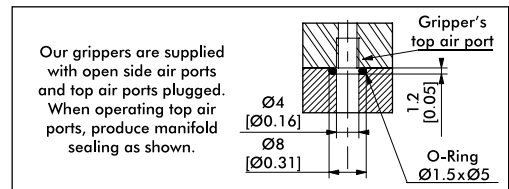
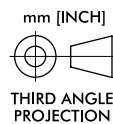
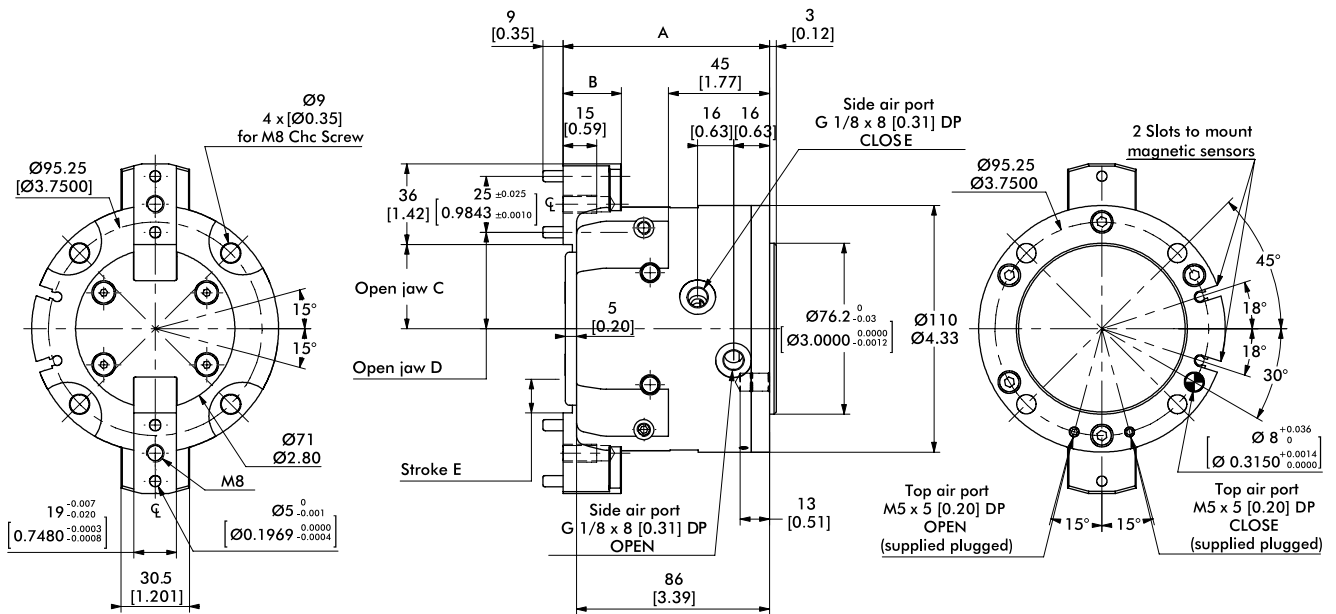


REP-82-C	Static
Maximum Tensile <b>T</b>	810 N [182 lbs]
Maximum Compressive <b>C</b>	910 N [205 lbs]
Maximum Moment <b>M<sub>x</sub></b>	20 Nm [177 in-lbs]
Maximum Moment <b>M<sub>y</sub></b>	40 Nm [354 in-lbs]
Maximum Moment <b>M<sub>x</sub></b>	42 Nm [372 in-lbs]

\*Capacities are per set of jaws and are not simultaneous

# REP-112, -112-C

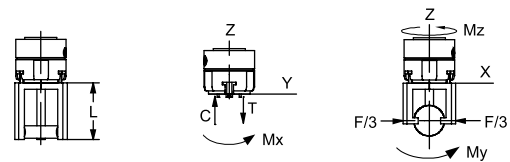
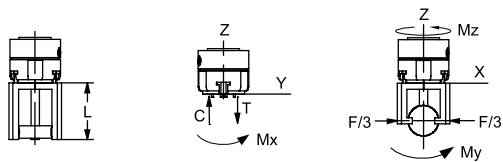
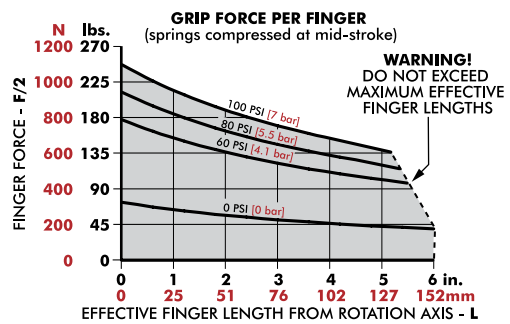
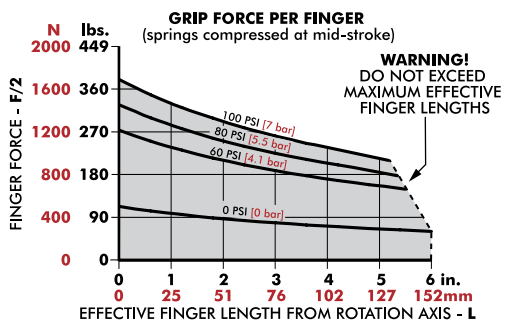
## 2-Jaw General Industrial Grippers | Dimensions and Technical Specifications



Model	A	B	C	D	E
REP-112	87 [3.43]	21 [0.83]	27.5 [1.083]	33 [1.30]	10 [0.39]
REP-112-C	92 [3.62]	26 [1.02]	37.5 [1.476]	43 [1.69]	15 [0.59]

Seal Repair Kits	REP-112
Buna-N Seal Repair Kit	SLKT-155
Viton® Seal Repair Kit	SLKT-155V

### Loading Information



REP-112	Static
Maximum Tensile <b>T</b>	1320 N [297 lbs]
Maximum Compressive <b>C</b>	1430 N [321 lbs]
Maximum Moment <b>M<sub>x</sub></b>	44 Nm [389 in-lbs]
Maximum Moment <b>M<sub>y</sub></b>	75 Nm [664 in-lbs]
Maximum Moment <b>M<sub>x</sub></b>	70 Nm [620 in-lbs]

<sup>1</sup>Capacities are per set of jaws and are not simultaneous

REP-112-C	Static
Maximum Tensile <b>T</b>	1320 N [297 lbs]
Maximum Compressive <b>C</b>	1430 N [321 lbs]
Maximum Moment <b>M<sub>x</sub></b>	38 Nm [336 in-lbs]
Maximum Moment <b>M<sub>y</sub></b>	75 Nm [664 in-lbs]
Maximum Moment <b>M<sub>x</sub></b>	70 Nm [620 in-lbs]

<sup>1</sup>Capacities are per set of jaws and are not simultaneous



GR-GEN-45

Dimensions and technical information are subject to change without notice



# RP5-10 SERIES

## 2-Jaw General Industrial Grippers | Product Features, How to Order

### Features:

- Widely used robust miniature gripper
- Double wedge design for high impact applications
- Spring assist option for part retention in case of air pressure loss
- Create gripper arrays with close proximity mounting for multiple part pick and place
- Grip force range from 156N [35 lbs] to 178N [40 lbs]
- Stroke Range from 4.1mm [0.16 in] to 6.4mm [0.25 in]

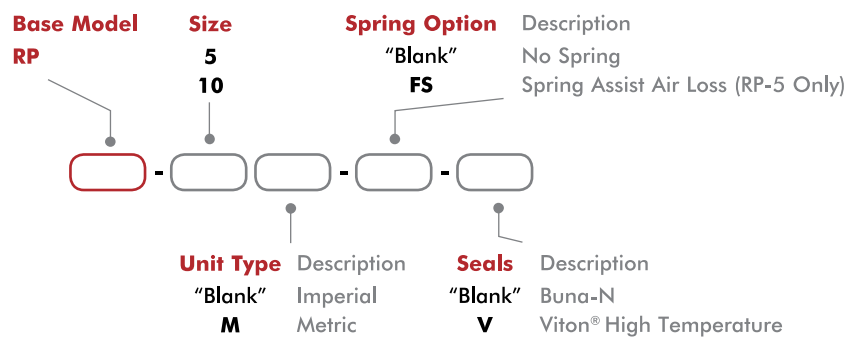
### Applications:

- Ideal for small part gripping solutions
- Used with small robots
- Packaging applications
- Multiple part transfers using banks of grippers



(USB key shown for scale)

## How To Order



## Accessories

Sensor Accessories	Model Numbers	Part Number	Qty/Unit
Sensor Mounting Kit for Imperial & Metric Units (mounts 2 sensors)	RP-5	OSMK-001	1
Sensor Mounting Kit for Imperial & Metric Units (mounts 2 sensors)	RP-10	OSMK-002	1
NPN Inductive Sensor with Quick Disconnect*	All Models	OISN-019	1-2
PNP Inductive Sensor with Quick Disconnect*	All Models	OISP-019	1-2
Quick Disconnect 2 Meter Cable Length*	All Models	CABL-010	1-2
Quick Disconnect 5 Meter Cable Length*	All Models	CABL-013	1-2

Pneumatic Accessories	Model Numbers	Part Number	Qty/Unit
Fail Safe Valve (Imperial)	All Models	OFSV-001	1
Fail Safe Valve (Metric)	All Models	OFSV-004	1

\*Sensor and cable sold separately.



GR-GEN-47

Dimensions and technical information are subject to change without notice

**RP5-10 SERIES****2-Jaw General Industrial Grippers | Technical Specifications**

Specifications	Units	5	5-FS	10
Total Rated Grip Force <b>F</b> @ 100 psi [7 bar]	N [lbs]	156 [35]	178 [40]	
Total Stroke	mm [in]	4.1 [0.16]		6.4 [0.25]
Weight	kg [lbs]	0.08 [0.18]		0.13 [0.28]
Pressure Range	bar [psi]	3-7 [40-100]		
Ingress Protection Class (IP)		IP43		
Displacement	cm <sup>3</sup> [in <sup>3</sup> ]	0.7 [0.042]		1.6 [0.098]
Temperature Range (Buna-N seals)	°C [°F]	-35°~80° [-30°~180°]		
Temperature Range (Viton® seals)	°C [°F]	-30°~150° [-20°~300°]		
Actuation	sec	0.14		0.13
Accuracy	mm [in]	±0.03 [±0.001]		
Repeatability	mm [in]	±0.01 [±0.0005]		
Valve to Actuate		4-way, 2-position		

Dimensions and technical information are subject to change without notice

GR-GEN-48





# RPM/RMPC SERIES

## 2-Jaw General Industrial Grippers | Features and Benefits | How To Order

### Features:

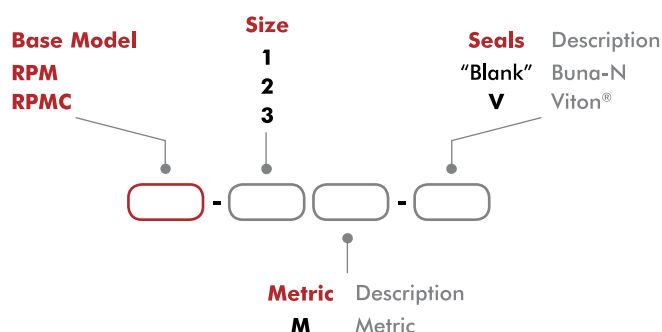
- Miniature gripper for small part gripping
- Zero side play due to Dual V bearing system
- Low friction and smooth operation for precise part position repeatability
- Create compact gripper arrays with top manifold design
- Adjustable pre-load screws eliminates side play over life of unit
- Purge and scavenge ports for clean/harsh environment operation
- Units are lubricated with clean-room grease
- Class 10 rated clean-room (RPMC)



### Applications:

- Ideal for semiconductor and life sciences laboratory applications
- Ultra small gripper for space constrained applications
- Sealed design operates in harsh environments (RPMC)
- Viton® seals option for High temperature applications  
-30°C to +150°C [-20°F to +300°F]

## How To Order



## Accessories

Pneumatic Accessories	Model Numbers	Part Number	Qty/Unit
M3 Plumbing Fitting Push-in for 3mm O.D. Tube	All Models	PLFT-021	2
M3 Plumbing Fitting Barb for 2mm I.D. Tube	All Models	PLFT-022	2
Buna-N Seal Repair Kit	All Models	SLKT-121	1
Viton® Seal Repair Kit	All Models	SLKT-121V	1
Top Air Ports Manifold Seal Kit (available in Viton® only)	All Models (RPM)	SLKT-142V	1
Top Air Ports Manifold Seal Kit (available in Viton® only)	All Models (RPMC)	SLKT-143V	1



GR-GEN-59

Dimensions and technical information are subject to change without notice

**RPM/RMPC SERIES****2-Jaw General Industrial Grippers | Technical Specifications**

Specifications	Units	1	2	3
Total Rated Grip Force <b>F</b> @ 100 psi [7 bar]	N [lbs]	36 [8]		
Total Stroke	mm [in]	3.2 [0.13]	4.8 [0.19]	6.3 [0.25]
Weight	kg [lbs]	0.052 [0.024]	0.026 [0.058]	0.034 [0.074]
Pressure Range	bar [psi]	3-7 [40-100]		
Ingress Protection Class (IP)		IP 33 (RPM) / IP64 (RMPC)		
Displacement	cm <sup>3</sup> [in <sup>3</sup> ]	0.13 [0.008]	0.20 [0.012]	0.25 [0.015]
Temperature Range (Buna-N seals)	°C [°F]	-35°~80° [-30°~180°]		
Temperature Range (Viton® seals)	°C [°F]	-30°~120° [-20°~250°]		
Actuation (open/close)	sec	0.10		
Accuracy	mm [in]	±0.05 [±0.002]		
Repeatability	mm [in]	±0.03 [±0.001]		
Valve to Actuate		4-way, 2-position		

Dimensions and technical information are subject to change without notice

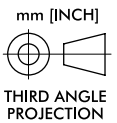
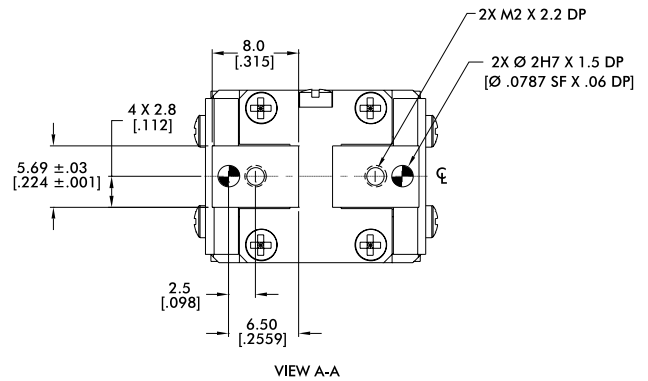
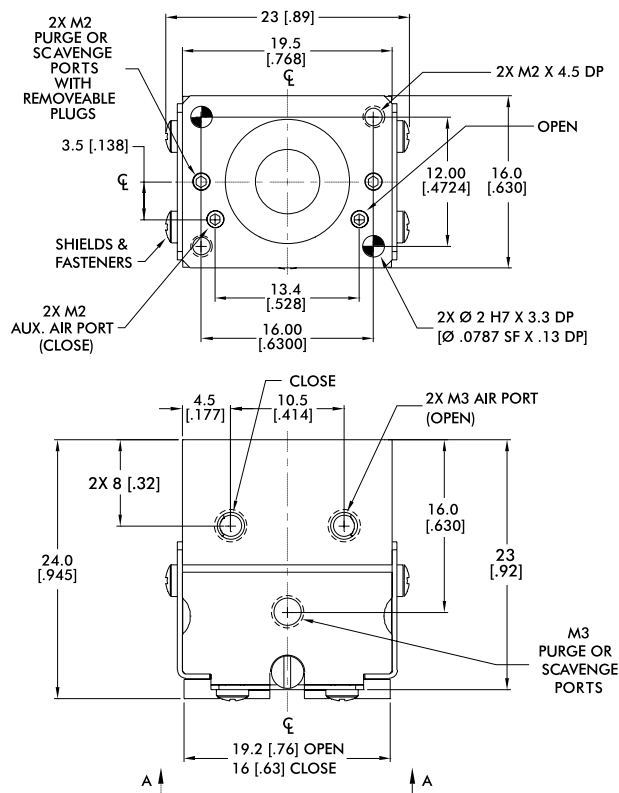
GR-GEN-60



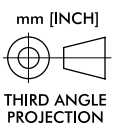
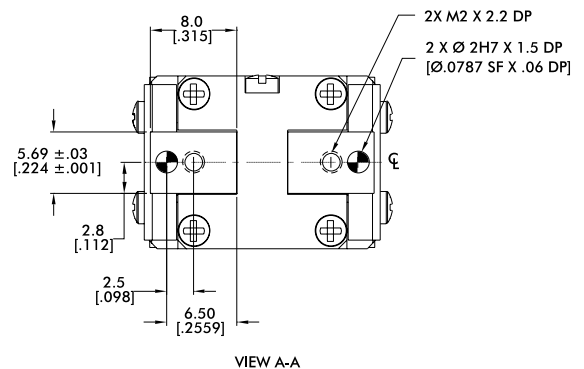
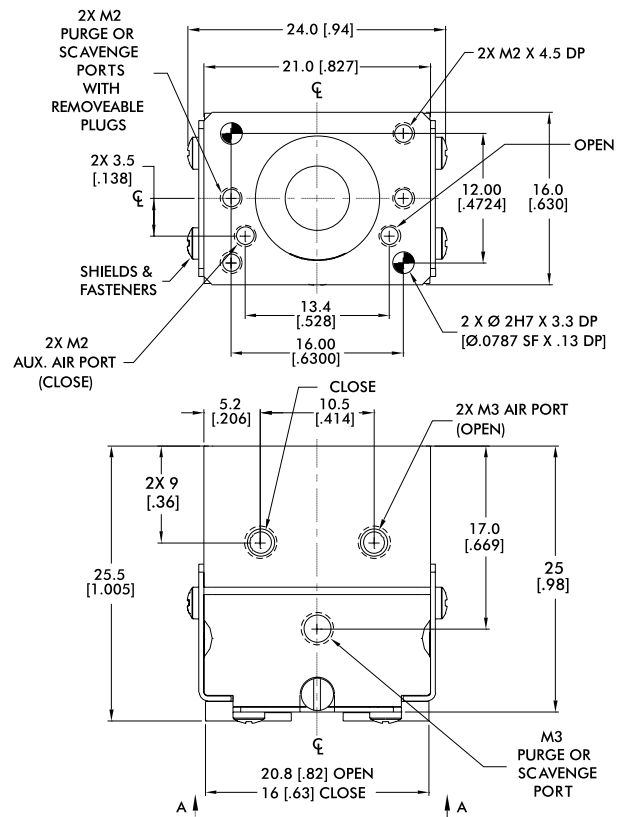
# RPM-1M/RPMC-1M, RPM-2M/RPMC-2M

## 2-Jaw General Industrial Grippers | Dimensions

### RPM-1M/RPMC-1M Dimensions



### RPM-2M/RPMC-2M Dimensions



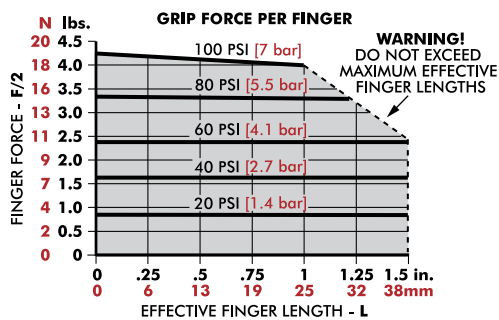
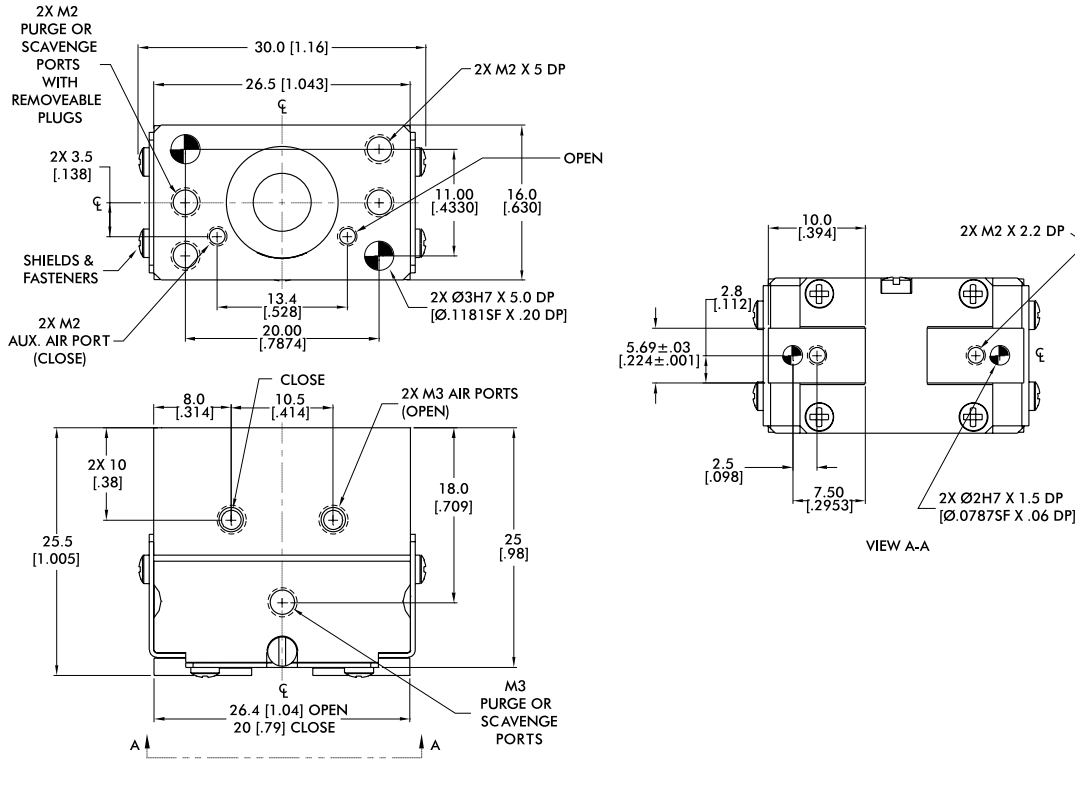
GR-GEN-61

Dimensions and technical information are subject to change without notice

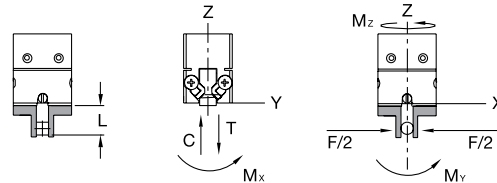
# RPM-3M/RPMC-3M

## 2-Jaw General Industrial Grippers | Dimensions and Technical Specifications

### RPM-3M/RPMC-3M Dimensions



### Loading Information



RPM	Static	Dynamic
Maximum Tensile <b>T</b>	89 N [20 lbs]	31 N [7 lbs]
Maximum Compressive <b>C</b>	89 N [20 lbs]	31 N [7 lbs]
Maximum Moment <b>M<sub>x</sub></b>	1 Nm [12 in-lbs]	0.5 Nm [4 in-lbs]
Maximum Moment <b>M<sub>y</sub></b>	2 Nm [15 in-lbs]	0.6 Nm [5 in-lbs]
Maximum Moment <b>M<sub>z</sub></b>	1 Nm [12 in-lbs]	0.5 Nm [4 in-lbs]

\*Capacities are per set of jaws and are not simultaneous

# RP SERIES

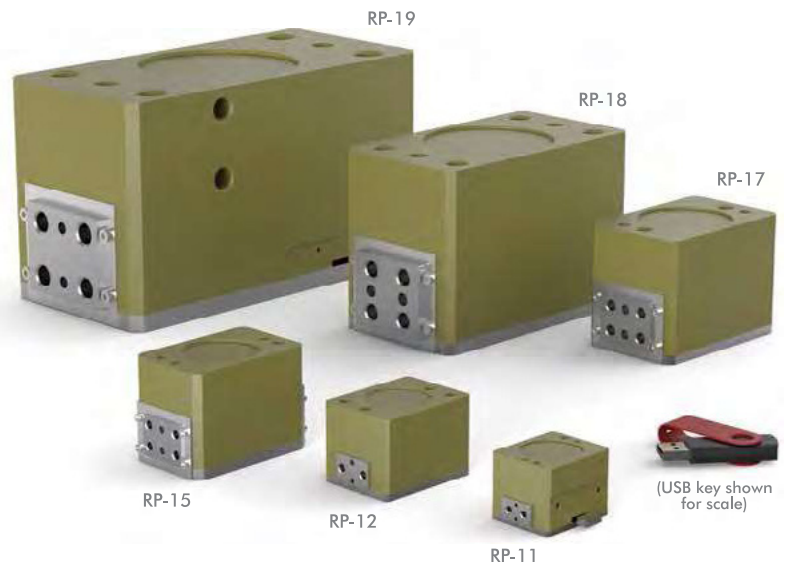
## 2-Jaw General Industrial Parallel Grippers | Features and Benefits | How To Order

### Features:

- Widely used robust sealed design gripper
- Double wedge design for high impact applications
- Hardened steel bottom for part pressing applications
- Inductive jaw location sensing
- Grip force range from 178N [40 lbs] to 2669N [600 lbs]
- Stroke Range from 6.4mm [0.25 in] to 50.8mm [2.00 in]

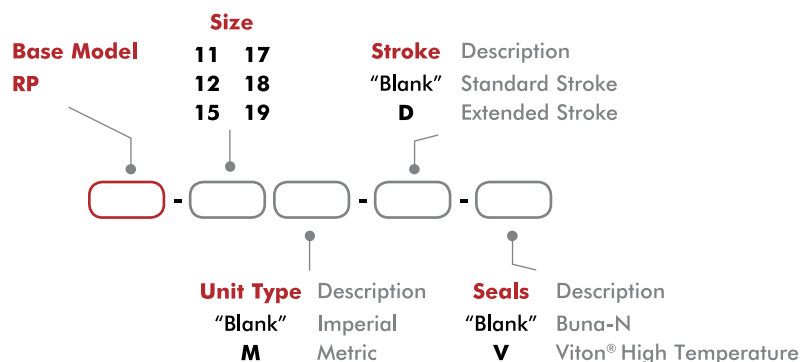
### Applications:

- Inline part pressing applications
- OEM machine pick and place
- Packaging applications
- Automotive assembly



U.S. Patent #5,125,708

### How To Order



### Accessories

Sensor Accessories	Model Numbers	Part Number	Qty/Unit
Sensor Mounting Kit for Imperial & Metric Units (mounts 2 sensors)	See Datasheet		1
NPN Inductive Sensor with Quick Disconnect*	11, 12, 15	OISN-019	1-2
PNP Inductive Sensor with Quick Disconnect*	11, 12, 15	OISP-019	1-2
NPN Inductive Sensor with Quick Disconnect*	17, 18	OISN-011	1-2
PNP Inductive Sensor with Quick Disconnect*	17, 18	OISP-011	1-2
Quick Disconnect 2 Meter Cable Length*	All Models	CABL-010	1-2
Quick Disconnect 5 Meter Cable Length*	All Models	CABL-013	1-2

Pneumatic Accessories	Model Numbers	Part Number	Qty/Unit
Fail Safe Valve (Imperial)	See Datasheet		1
Fail Safe Valve (Metric)	See Datasheet		1

\*Sensor and cable sold separately.



GR-GEN-51

Dimensions and technical information are subject to change without notice

## RP SERIES

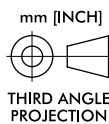
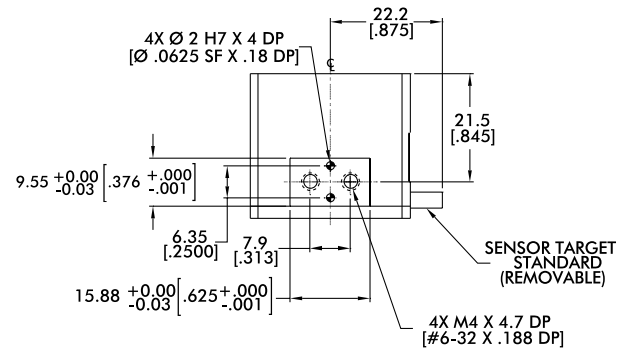
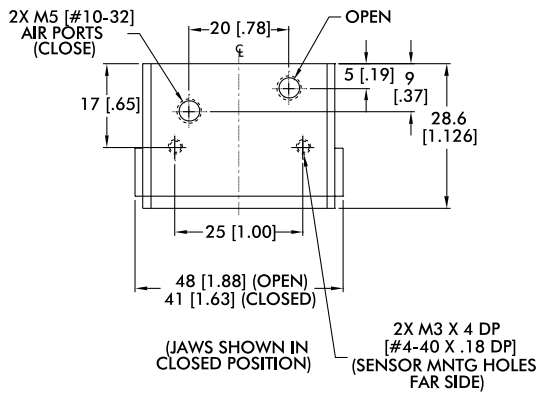
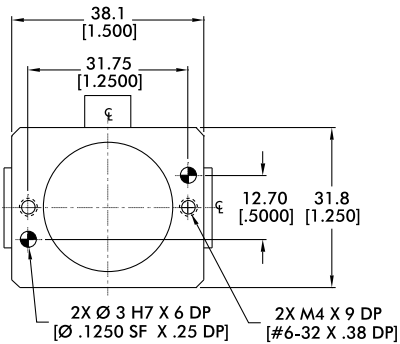
### 2-Jaw General Industrial Parallel Grippers | Technical Specifications

Specifications	Units	11	12	15
Total Rated Grip Force <b>F</b> @ 100 psi [7 bar]	N [lbs]	178 [40]		311 [70]
Total Stroke	mm [in]	6.4 [0.25]	9.5 [0.38]	12.7 [0.50]
Weight	kg [lbs]	0.12 [0.26]	0.25 [0.56]	0.57 [1.25]
Pressure Range	bar [psi]	3-7 [40-100]		
Ingress Protection Class (IP)		IP43		
Displacement	cm <sup>3</sup> [in <sup>3</sup> ]	1.6 [0.098]	2.5 [0.150]	4.9 [0.300]
Temperature Range (Buna-N seals)	°C [°F]	-35°~80° [-30°~180°]		
Temperature Range (Viton® seals)	°C [°F]	-30°~150° [-20°~300°]		
Actuation	sec	0.13		0.20
Accuracy	mm [in]	±0.05 [±0.002]		
Repeatability	mm [in]	±0.03 [±0.001]		
Valve to Actuate		4-way, 2-position		

Specifications	Units	17	18	19
Total Rated Grip Force <b>F</b> @ 100 psi [7 bar]	N [lbs]	979 [220]	400 [1779]	2669 [600]
Total Stroke	mm [in]	19.1 [0.75]	31.8 [1.25]	50.8 [2.00]
Weight	kg [lbs]	1.0 [2.2]	3.5 [7.7]	9.5 [21]
Pressure Range	bar [psi]	3-7 [40-100]		
Ingress Protection Class (IP)		IP43		
Displacement	cm <sup>3</sup> [in <sup>3</sup> ]	22.9 [1.400]	72.1 [4.400]	157.3 [9.600]
Temperature Range (Buna-N seals)	°C [°F]	-35°~80° [-30°~180°]		
Temperature Range (Viton® seals)	°C [°F]	-30°~150° [-20°~300°]		
Actuation	sec	0.18	0.22	0.50
Accuracy	mm [in]	±0.08 [±0.003]		
Repeatability	mm [in]	±0.03 [±0.001]		
Valve to Actuate		4-way, 2-position		

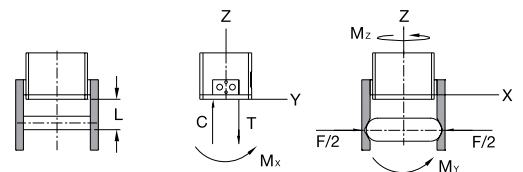
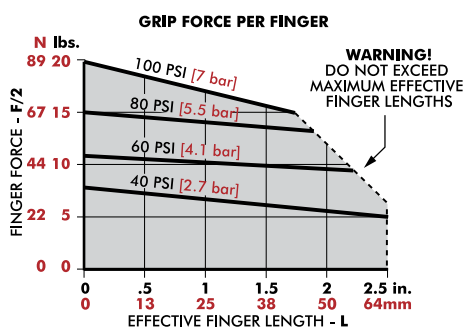
# RP-11

## 2-Jaw General Industrial Parallel Grippers | Dimensions and Technical Specifications



<b>Sensor Accessories</b>	<b>RP-11</b>
Inductive Sensor Mounting Kit (mounts 2 sensors)	OSMK-003
<b>Seal Repair Kits</b>	<b>RP-11</b>
Buna-N Seal Repair Kit	SLKT-036
Viton® Seal Repair Kit	SLKT-036V
<b>Pneumatic Accessories</b>	<b>RP-11</b>
Fail Safe Valve (Imperial)	OFSV-001
Fail Safe Valve (Metric)	OFSV-004

### Loading Information



RP-11	Static	Dynamic
Maximum Tensile <b>T</b>	445 N [100 lbs]	111 N [25 lbs]
Maximum Compressive <b>C</b>	890 N [200 lbs]	111 N [25 lbs]
Maximum Moment <b>M<sub>x</sub></b>	11 Nm [100 in-lbs]	2 Nm [17 in-lbs]
Maximum Moment <b>M<sub>y</sub></b>	11 Nm [100 in-lbs]	2 Nm [17 in-lbs]
Maximum Moment <b>M<sub>z</sub></b>	11 Nm [100 in-lbs]	2 Nm [17 in-lbs]

\*Capacities are per set of jaws and are not simultaneous

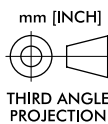
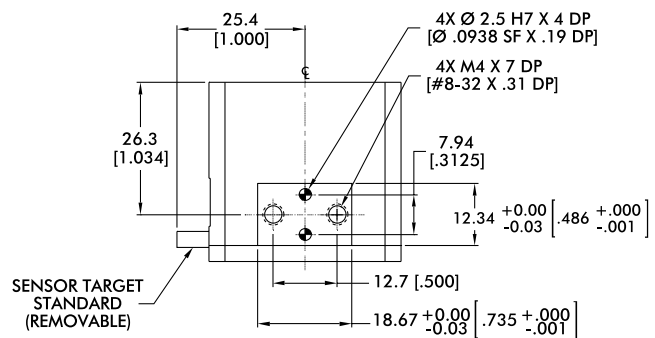
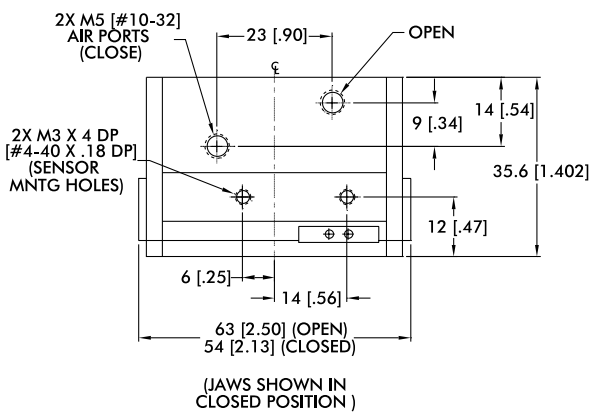
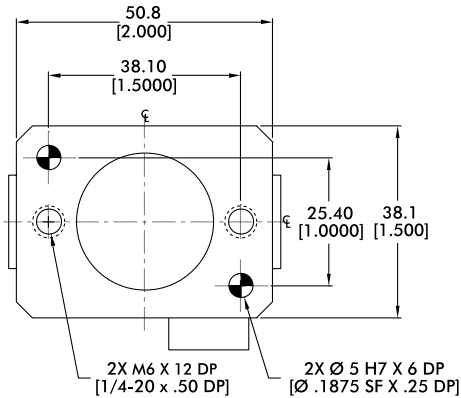


GR-GEN-53

Dimensions and technical information are subject to change without notice

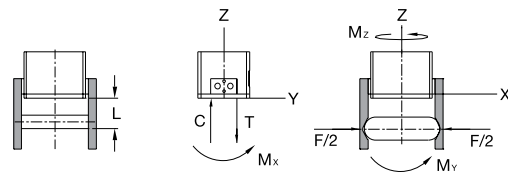
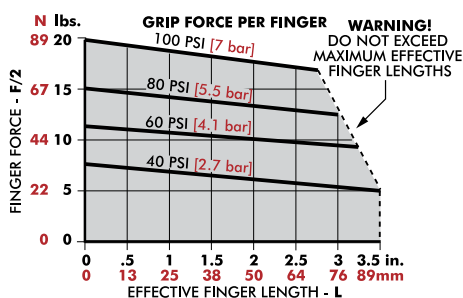
**RP-12**

2-Jaw General Industrial Parallel Grippers | Dimensions and Technical Specifications



<b>Sensor Accessories</b>	<b>RP-12</b>
Inductive Sensor Mounting Kit (mounts 2 sensors)	OSMK-003
<b>Seal Repair Kits</b>	<b>RP-12</b>
Buna-N Seal Repair Kit	SLKT-040
Viton® Seal Repair Kit	SLKT-040V
<b>Pneumatic Accessories</b>	<b>RP-12</b>
Fail Safe Valve (Imperial)	OFSV-001
Fail Safe Valve (Metric)	OFSV-004

Loading Information



RP-12	Static	Dynamic
Maximum Tensile <b>T</b>	890 N [200 lbs]	111 N [25 lbs]
Maximum Compressive <b>C</b>	1779 N [400 lbs]	111 N [25 lbs]
Maximum Moment <b>M<sub>x</sub></b>	17 Nm [150 in-lbs]	3 Nm [25 in-lbs]
Maximum Moment <b>M<sub>y</sub></b>	17 Nm [150 in-lbs]	3 Nm [25 in-lbs]
Maximum Moment <b>M<sub>z</sub></b>	17 Nm [150 in-lbs]	3 Nm [25 in-lbs]

\*Capacities are per set of jaws and are not simultaneous

Dimensions and technical information are subject to change without notice

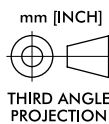
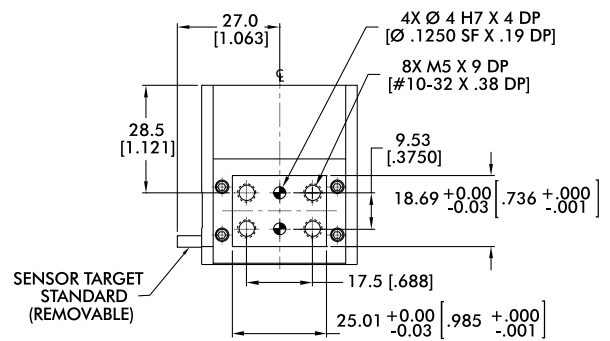
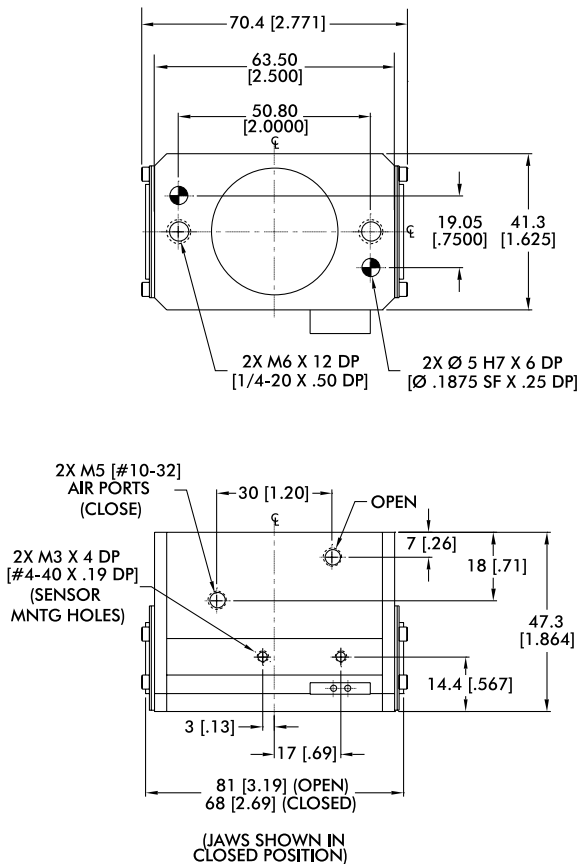
GR-GEN-54





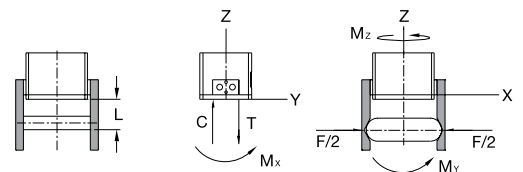
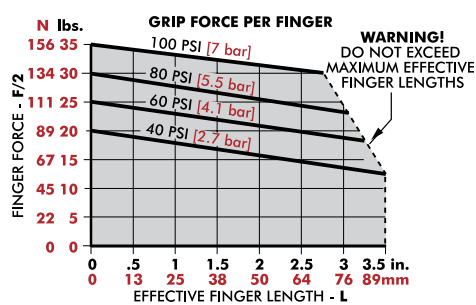
# RP-15

## 2-Jaw General Industrial Parallel Grippers | Dimensions and Technical Specifications



Sensor Accessories	RP-15
Inductive Sensor Mounting Kit (mounts 2 sensors)	OSMK-003
Seal Repair Kits	RP-15
Buna-N Seal Repair Kit	SLKT-041
Viton® Seal Repair Kit	SLKT-041V
Pneumatic Accessories	RP-15
Fail Safe Valve (Imperial)	OFSV-001
Fail Safe Valve (Metric)	OFSV-004

### Loading Information



RP-15	Static	Dynamic
Maximum Tensile <b>T</b>	1779 N [400 lbs]	222 N [50 lbs]
Maximum Compressive <b>C</b>	3336 N [750 lbs]	222 N [50 lbs]
Maximum Moment <b>M<sub>x</sub></b>	34 Nm [300 in-lbs]	6 Nm [50 in-lbs]
Maximum Moment <b>M<sub>y</sub></b>	34 Nm [300 in-lbs]	6 Nm [50 in-lbs]
Maximum Moment <b>M<sub>x</sub></b>	34 Nm [300 in-lbs]	6 Nm [50 in-lbs]

\*Capacities are per set of jaws and are not simultaneous

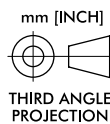
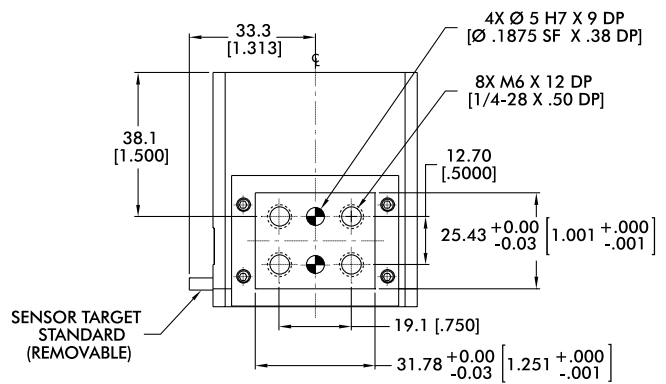
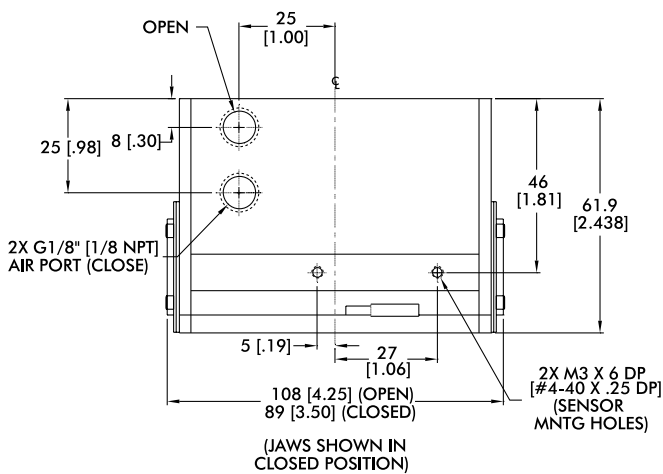
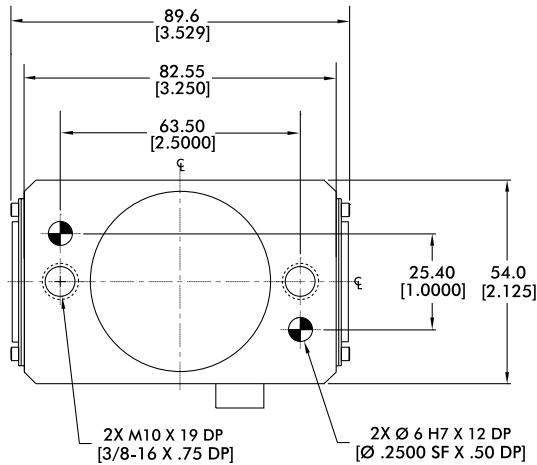


GR-GEN-55

Dimensions and technical information are subject to change without notice

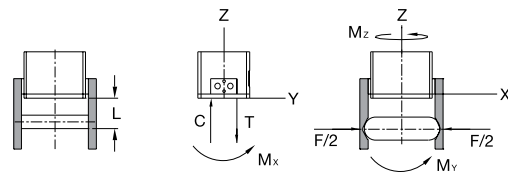
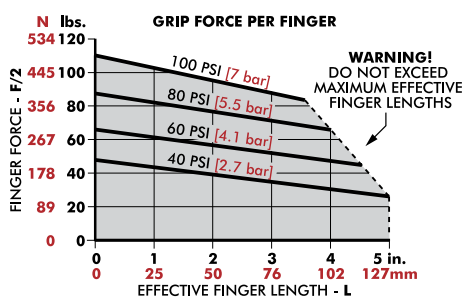
**RP-17**

2-Jaw General Industrial Parallel Grippers | Dimensions and Technical Specifications



<b>Sensor Accessories</b>	<b>RP-17</b>
Inductive Sensor Mounting Kit (mounts 2 sensors)	OSMK-072
<b>Seal Repair Kits</b>	<b>RP-17</b>
Buna-N Seal Repair Kit	SLKT-042
Viton® Seal Repair Kit	SLKT-042V
<b>Pneumatic Accessories</b>	<b>RP-17</b>
Fail Safe Valve (Imperial)	OFSV-002
Fail Safe Valve (Metric)	OFSV-005

Loading Information



RP-17	Static	Dynamic
Maximum Tensile <b>T</b>	3336 N [750 lbs]	445 N [100 lbs]
Maximum Compressive <b>C</b>	6672 N [1500 lbs]	445 N [100 lbs]
Maximum Moment <b>M<sub>x</sub></b>	85 Nm [750 in-lbs]	14 Nm [125 in-lbs]
Maximum Moment <b>M<sub>y</sub></b>	85 Nm [750 in-lbs]	14 Nm [125 in-lbs]
Maximum Moment <b>M<sub>z</sub></b>	85 Nm [750 in-lbs]	14 Nm [125 in-lbs]

\*Capacities are per set of jaws and are not simultaneous

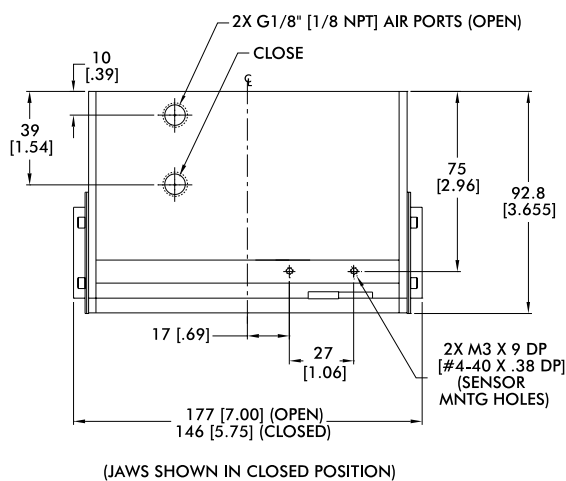
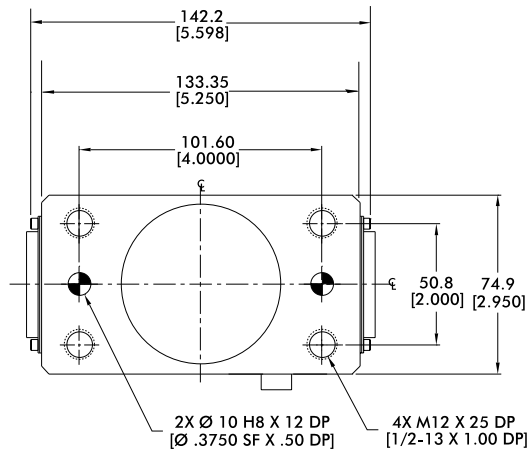
Dimensions and technical information are subject to change without notice

GR-GEN-56

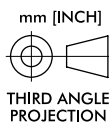
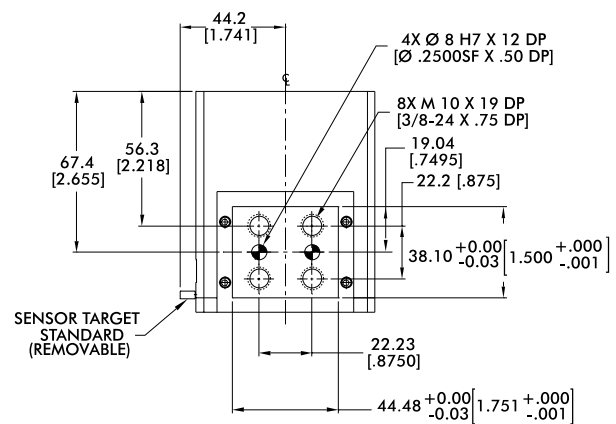


# RP-18

## 2-Jaw General Industrial Parallel Grippers | Dimensions and Technical Specifications

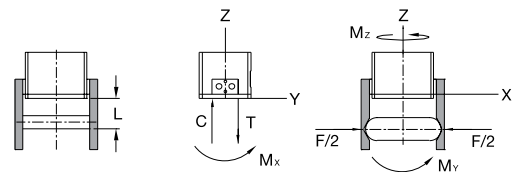
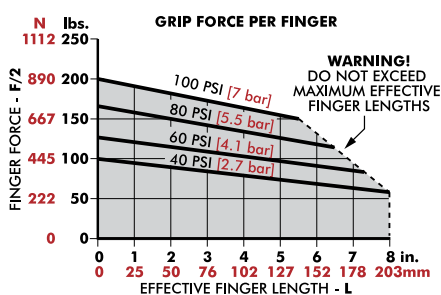


(JAWS SHOWN IN CLOSED POSITION)



Sensor Accessories		RP-18
Inductive Sensor Mounting Kit (mounts 2 sensors)		OSMK-072
Seal Repair Kits		RP-18
Buna-N Seal Repair Kit		SLKT-043
Viton® Seal Repair Kit		SLKT-043V
Pneumatic Accessories		RP-18
Fail Safe Valve (Imperial)		OFSV-002
Fail Safe Valve (Metric)		OFSV-005

### Loading Information



RP-18	Static	Dynamic
Maximum Tensile <b>T</b>	6672 N [1500 lbs]	1112 N [250 lbs]
Maximum Compressive <b>C</b>	13345 N [3000 lbs]	1112 N [250 lbs]
Maximum Moment <b>M<sub>x</sub></b>	170 Nm [1500 in-lbs]	28 Nm [250 in-lbs]
Maximum Moment <b>M<sub>y</sub></b>	170 Nm [1500 in-lbs]	28 Nm [250 in-lbs]
Maximum Moment <b>M<sub>z</sub></b>	170 Nm [1500 in-lbs]	28 Nm [250 in-lbs]

\*Capacities are per set of jaws and are not simultaneous

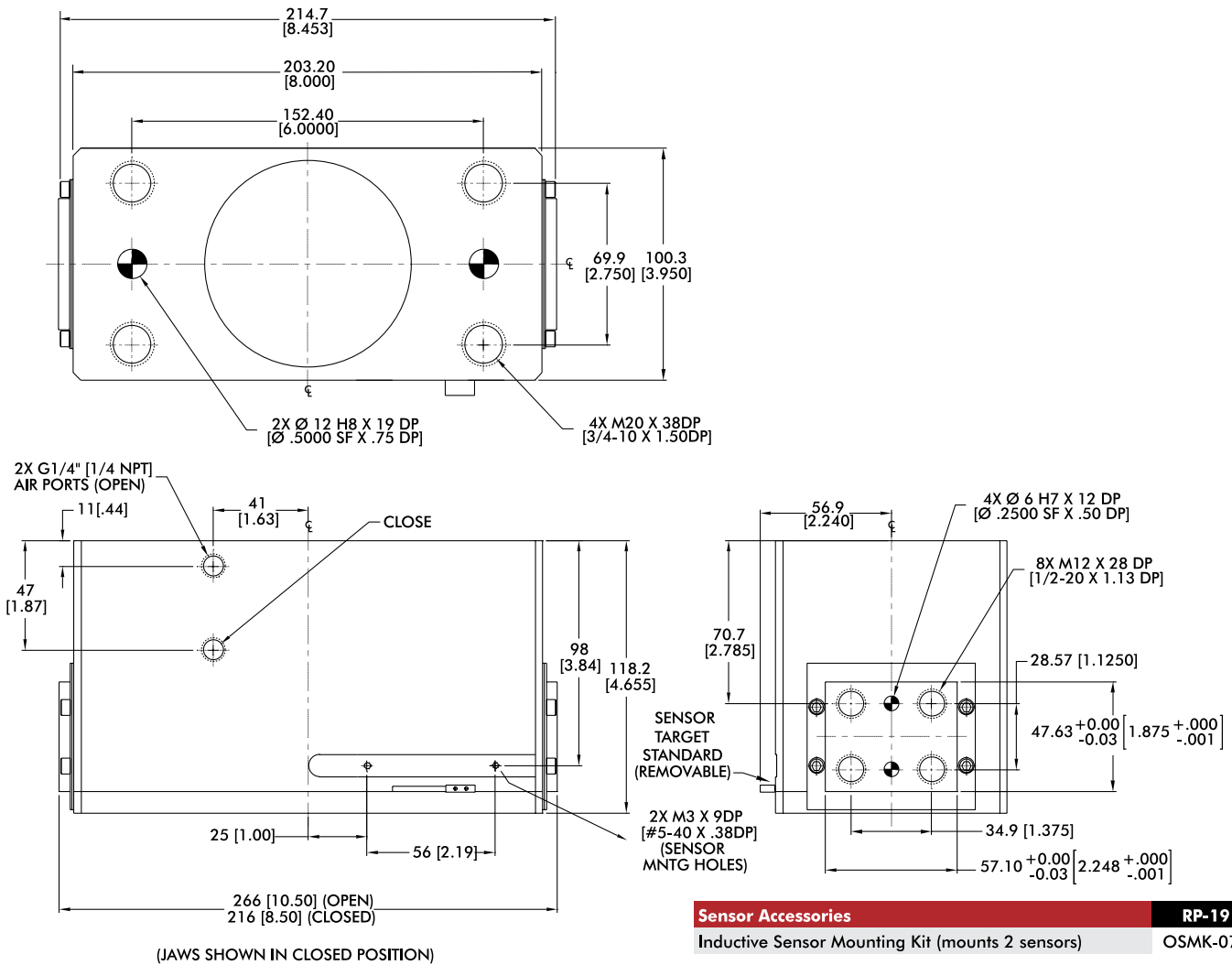


GR-GEN-57

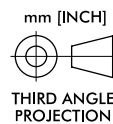
Dimensions and technical information are subject to change without notice

**RP-19**

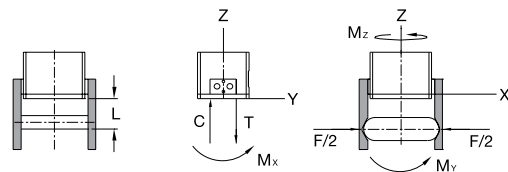
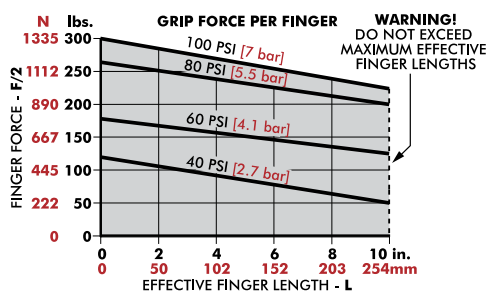
2-Jaw General Industrial Parallel Grippers | Dimensions and Technical Specifications



Sensor Accessories		RP-19
Inductive Sensor Mounting Kit (mounts 2 sensors)		OSMK-073
Seal Repair Kits		RP-19
Buna-N Seal Repair Kit		SLKT-044
Viton® Seal Repair Kit		SLKT-044V
Pneumatic Accessories		RP-19
Fail Safe Valve (Imperial)		OFSV-003
Fail Safe Valve (Metric)		OFSV-006



Loading Information



RP-19	Static	Dynamic
Maximum Tensile <b>T</b>	13345 N [3000 lbs]	1334 N [300 lbs]
Maximum Compressive <b>C</b>	26689 N [6000 lbs]	1334 N [300 lbs]
Maximum Moment <b>M<sub>x</sub></b>	565 Nm [5000 in-lbs]	56 Nm [500 in-lbs]
Maximum Moment <b>M<sub>y</sub></b>	565 Nm [5000 in-lbs]	56 Nm [500 in-lbs]
Maximum Moment <b>M<sub>x</sub></b>	565 Nm [5000 in-lbs]	56 Nm [500 in-lbs]

\*Capacities are per set of jaws and are not simultaneous

Dimensions and technical information are subject to change without notice

GR-GEN-58



# RPS SERIES

## 2-Jaw General Industrial Parallel Grippers | Features and Benefits | How To Order

### Features:

- Robust sealed design gripper
- Double wedge design for high impact applications
- Spring assist option for part retention in case of air pressure loss
- Inductive jaw location sensing
- Grip force range from 222N [50 lbs] to 2669N [600 lbs]
- Stroke Range from 6.4mm [0.25 in] to 31.8mm [1.25 in]

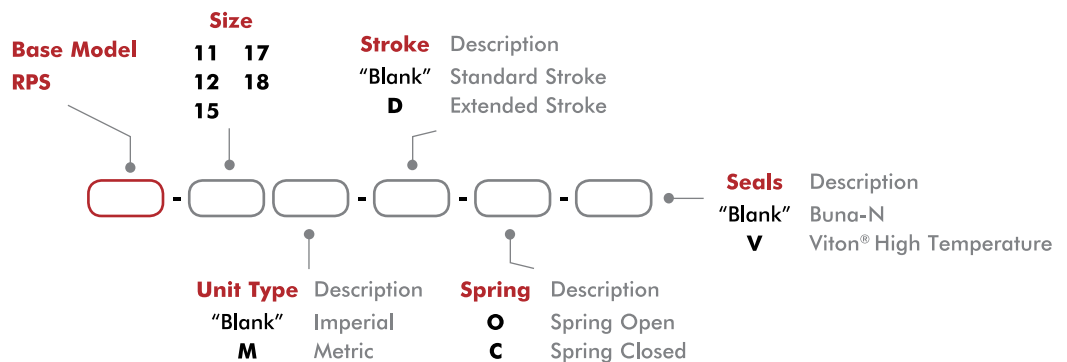
### Applications:

- Automotive assembly
- Critical Part drop prevention applications
- General purpose spring assist gripping
- Packaging applications



U.S. Patent #5,125,708

### How To Order



### Accessories

Sensor Accessories	Model Numbers	Part Number	Qty/Unit
Sensor Mounting Kit for Imperial & Metric Units (mounts 2 sensors)	See Datasheet		1
NPN Inductive Sensor with Quick Disconnect*	11, 12, 15	OISN-019	1-2
PNP Inductive Sensor with Quick Disconnect*	11, 12, 15	OISP-019	1-2
NPN Inductive Sensor with Quick Disconnect*	17, 18	OISN-011	1-2
PNP Inductive Sensor with Quick Disconnect*	17, 18	OISP-011	1-2
Quick Disconnect 2 Meter Cable Length*	All Models	CABL-010	1-2
Quick Disconnect 5 Meter Cable Length*	All Models	CABL-013	1-2

Pneumatic Accessories	Model Numbers	Part Number	Qty/Unit
Fail Safe Valve (Imperial)	See Datasheet		1
Fail Safe Valve (Metric)	See Datasheet		1

\* Sensor and cable sold separately.



GR-GEN-63

Dimensions and technical information are subject to change without notice

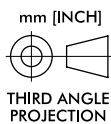
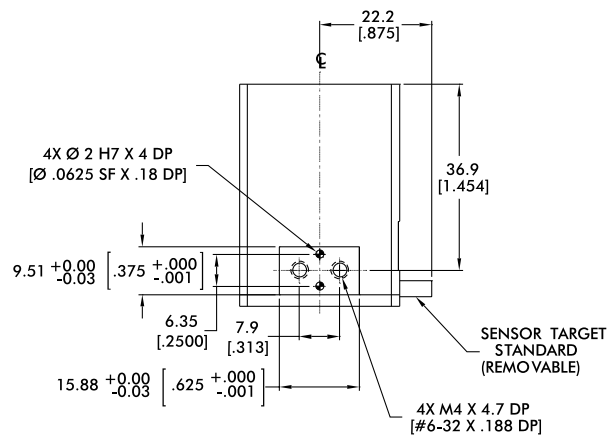
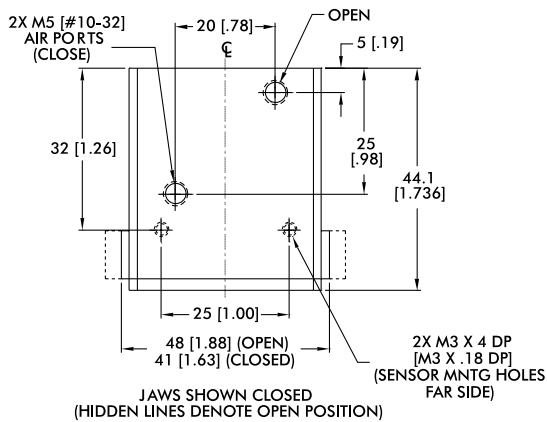
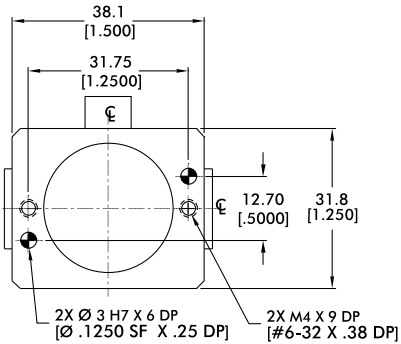
**RPS SERIES****2-Jaw General Industrial Parallel Grippers | Technical Specifications**

Specifications	Units	11	12	15
Total Rated Grip Force <b>F</b> @ 100 psi [7 bar]	N [lbs]	222 [50]	267 [60]	400 [90]
Total Stroke	mm [in]	6.4 [0.25]	9.5 [0.38]	12.7 [0.50]
Weight	kg [lbs]	0.16 [0.36]	0.34 [0.76]	0.65 [1.44]
Pressure Range	bar [psi]	3.4-7 [50-100]		
Ingress Protection Class (IP)		IP43		
Displacement	cm <sup>3</sup> [in <sup>3</sup> ]	1.6 [0.098]	2.5 [0.150]	4.9 [0.300]
Temperature Range (Buna-N seals)	°C [°F]	-35°~80° [-30°~180°]		
Temperature Range (Viton® seals)	°C [°F]	-30°~150° [-20°~300°]		
Actuation	sec	0.15		0.17
Accuracy	mm [in]	±0.05 [±0.002]		
Repeatability	mm [in]	±0.03 [±0.001]		
Valve to Required Actuate Single Acting		3-way, 2-position		
Valve to Required Actuate Double Acting		4-way, 2-position		

Specifications	Units	17	18
Total Rated Grip Force <b>F</b> @ 100 psi [7 bar]	N [lbs]	1334 [300]	2669 [600]
Total Stroke	mm [in]	19.1 [0.75]	31.8 [1.25]
Weight	kg [lbs]	1.4 [3.00]	5.0 [1]
Pressure Range	bar [psi]	3-7 [40-100]	
Ingress Protection Class (IP)		IP43	
Displacement	cm <sup>3</sup> [in <sup>3</sup> ]	22.9 [1.400]	72.1 [4.400]
Temperature Range (Buna-N seals)	°C [°F]	-35°~80° [-30°~180°]	
Temperature Range (Viton® seals)	°C [°F]	-30°~150° [-20°~300°]	
Actuation	sec	0.31	0.51
Accuracy	mm [in]	±0.08 [±0.003]	
Repeatability	mm [in]	±0.03 [±0.001]	
Valve to Required Actuate Single Acting		3-way, 2-position	
Valve to Required Actuate Double Acting		4-way, 2-position	

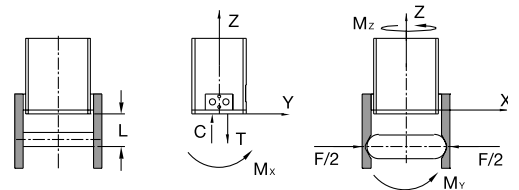
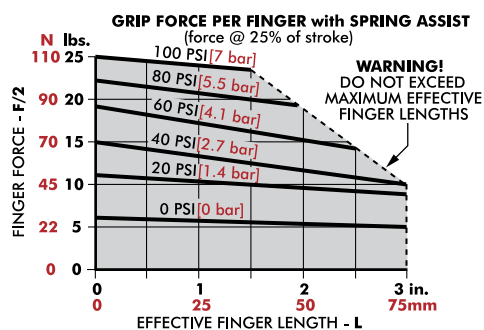
# RPS-11

## 2-Jaw General Industrial Parallel Grippers | Dimensions and Technical Specifications



<b>Sensor Accessories</b>	<b>RPS-11</b>
Inductive Sensor Mounting Kit (mounts 2 sensors)	OSMK-003
<b>Seal Repair Kits</b>	<b>RPS-11</b>
Buna-N Seal Repair Kit	SLKT-036
Viton® Seal Repair Kit	SLKT-036V
<b>Pneumatic Accessories</b>	<b>RPS-11</b>
Fail Safe Valve (Imperial)	OFSV-001
Fail Safe Valve (Metric)	OFSV-004

### Loading Information



RPS-11	Static	Dynamic
Maximum Tensile <b>T</b>	445 N [100 lbs]	111 N [25 lbs]
Maximum Compressive <b>C</b>	890 N [200 lbs]	111 N [25 lbs]
Maximum Moment <b>M<sub>x</sub></b>	11 Nm [100 in-lbs]	3 Nm [25 in-lbs]
Maximum Moment <b>M<sub>y</sub></b>	11 Nm [100 in-lbs]	3 Nm [25 in-lbs]
Maximum Moment <b>M<sub>z</sub></b>	11 Nm [100 in-lbs]	3 Nm [25 in-lbs]

\*Capacities are per set of jaws and are not simultaneous

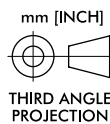
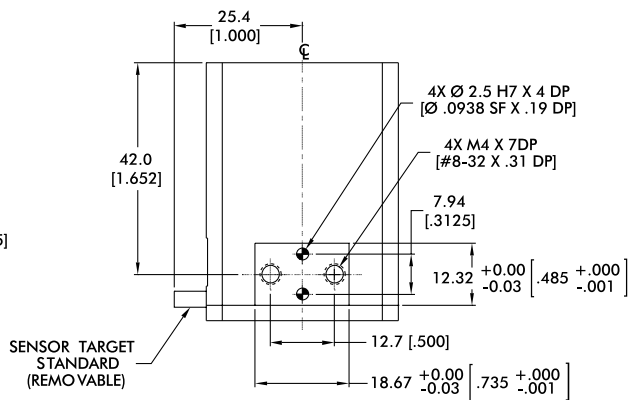
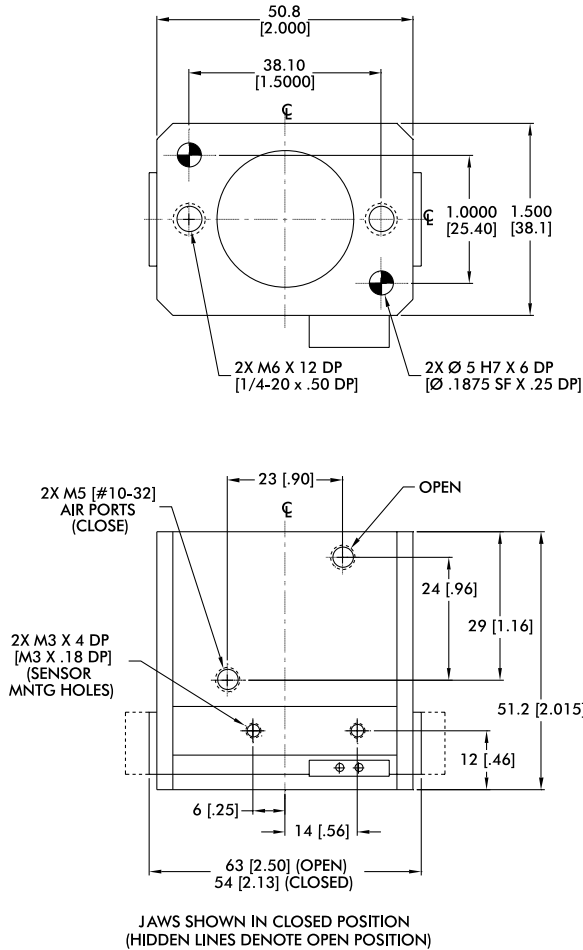


GR-GEN-65

Dimensions and technical information are subject to change without notice

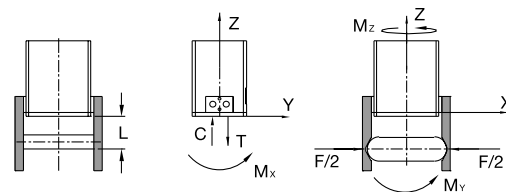
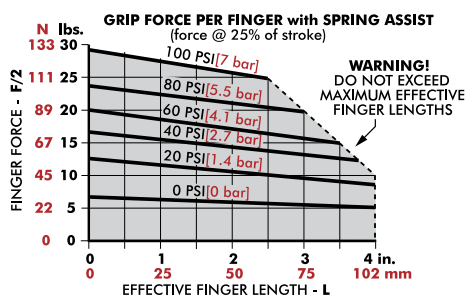
RPS-12

2-Jaw General Industrial Parallel Grippers | Dimensions and Technical Specifications



Sensor Accessories	RPS-12
Inductive Sensor Mounting Kit (mounts 2 sensors)	OSMK-003
Seal Repair Kits	RPS-12
Buna-N Seal Repair Kit	SLKT-040
Viton® Seal Repair Kit	SLKT-040V
Pneumatic Accessories	RPS-12
Fail Safe Valve (Imperial)	OFSV-001
Fail Safe Valve (Metric)	OFSV-004

Loading Information



RPS-12	Static	Dynamic
Maximum Tensile <b>T</b>	890 N [200 lbs]	222 N [50 lbs]
Maximum Compressive <b>C</b>	1779 N [400 lbs]	222 N [50 lbs]
Maximum Moment <b>M<sub>x</sub></b>	17 Nm [150 in-lbs]	6 Nm [50 in-lbs]
Maximum Moment <b>M<sub>y</sub></b>	17 Nm [150 in-lbs]	6 Nm [50 in-lbs]
Maximum Moment <b>M<sub>z</sub></b>	17 Nm [150 in-lbs]	6 Nm [50 in-lbs]

\*Capacities are per set of jaws and are not simultaneous

Dimensions and technical information are subject to change without notice

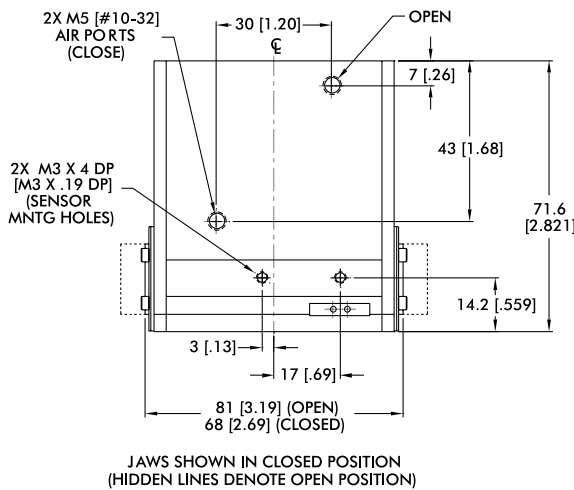
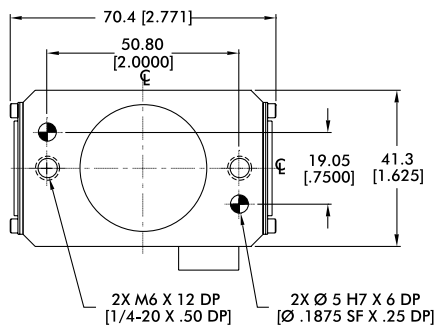
GR-GEN-66



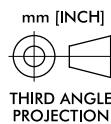
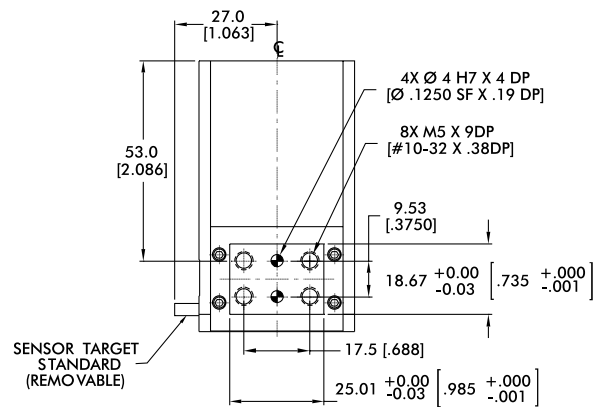


# RPS-15

## 2-Jaw General Industrial Parallel Grippers | Dimensions and Technical Specifications

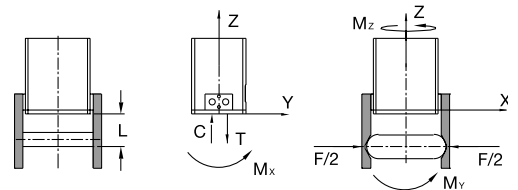
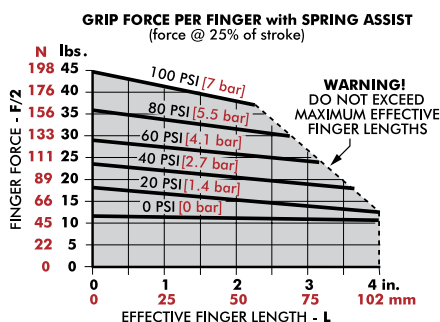


JAWS SHOWN IN CLOSED POSITION  
(HIDDEN LINES DENOTE OPEN POSITION)



Sensor Accessories		RPS-15
Inductive Sensor Mounting Kit (mounts 2 sensors)		OSMK-003
Seal Repair Kits		RPS-15
Buna-N Seal Repair Kit		SLKT-041
Viton® Seal Repair Kit		SLKT-041V
Pneumatic Accessories		RPS-15
Fail Safe Valve (Imperial)		OFSV-001
Fail Safe Valve (Metric)		OFSV-004

## Loading Information



RPS-15	Static	Dynamic
Maximum Tensile <b>T</b>	1779 N [400 lbs]	445 N [100 lbs]
Maximum Compressive <b>C</b>	3336 N [750 lbs]	445 N [100 lbs]
Maximum Moment <b>M<sub>x</sub></b>	34 Nm [300 in-lbs]	11 Nm [100 in-lbs]
Maximum Moment <b>M<sub>y</sub></b>	34 Nm [300 in-lbs]	11 Nm [100 in-lbs]
Maximum Moment <b>M<sub>z</sub></b>	34 Nm [300 in-lbs]	11 Nm [100 in-lbs]

\*Capacities are per set of jaws and are not simultaneous

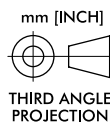
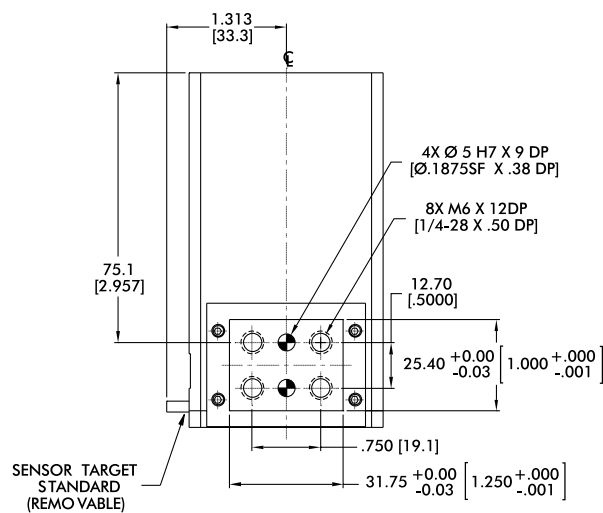
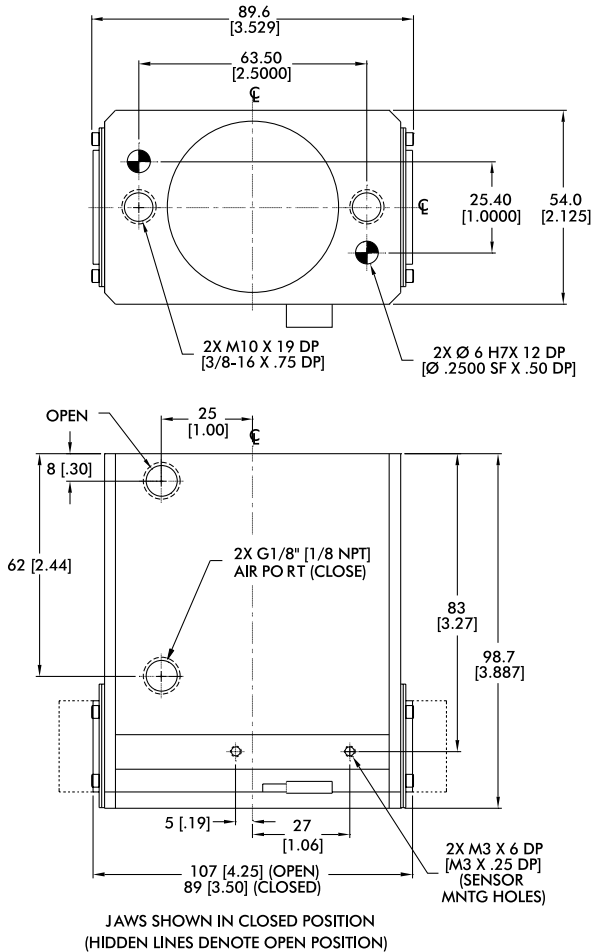


GR-GEN-67

Dimensions and technical information are subject to change without notice

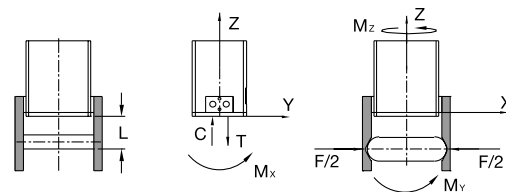
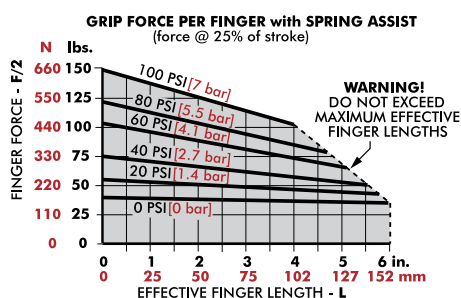
RPS-17

2-Jaw General Industrial Parallel Grippers | Dimensions and Technical Specifications



Sensor Accessories	RPS-17
Inductive Sensor Mounting Kit (mounts 2 sensors)	OSMK-072
Seal Repair Kits	RPS-17
Buna-N Seal Repair Kit	SLKT-042
Viton® Seal Repair Kit	SLKT-042V
Pneumatic Accessories	RPS-17
Fail Safe Valve (Imperial)	OFSV-002
Fail Safe Valve (Metric)	OFSV-005

Loading Information



RPS-17	Static	Dynamic
Maximum Tensile <b>T</b>	3336 N [750 lbs]	890 N [200 lbs]
Maximum Compressive <b>C</b>	6672 N [1500 lbs]	890 N [200 lbs]
Maximum Moment <b>M<sub>x</sub></b>	85 Nm [750 in-lbs]	28 Nm [250 in-lbs]
Maximum Moment <b>M<sub>y</sub></b>	85 Nm [750 in-lbs]	28 Nm [250 in-lbs]
Maximum Moment <b>M<sub>z</sub></b>	85 Nm [750 in-lbs]	28 Nm [250 in-lbs]

\*Capacities are per set of jaws and are not simultaneous

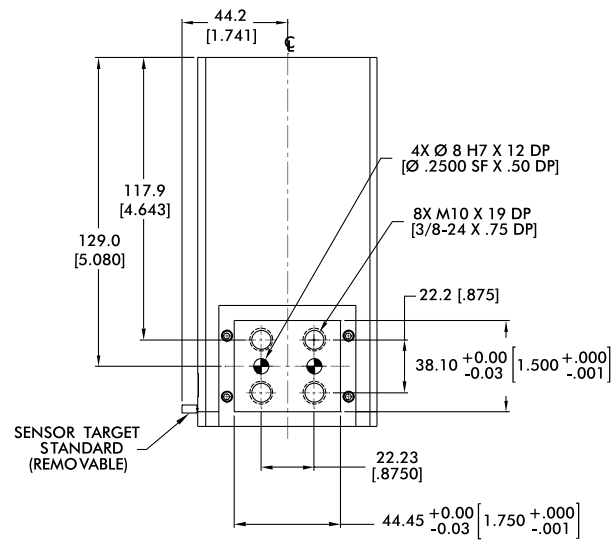
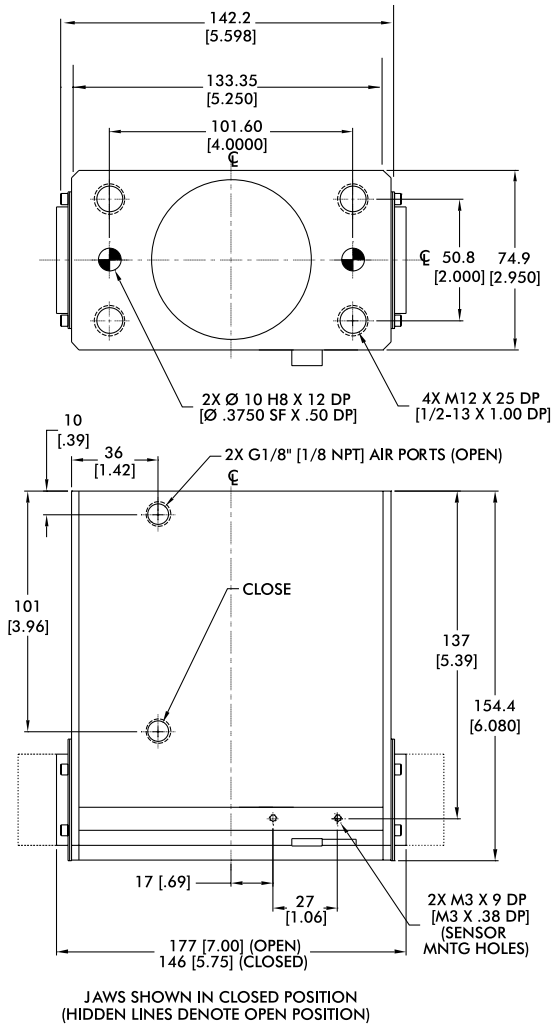
Dimensions and technical information are subject to change without notice

GR-GEN-68

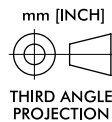


# RPS-18

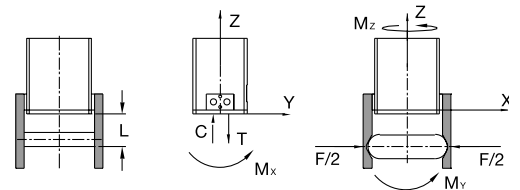
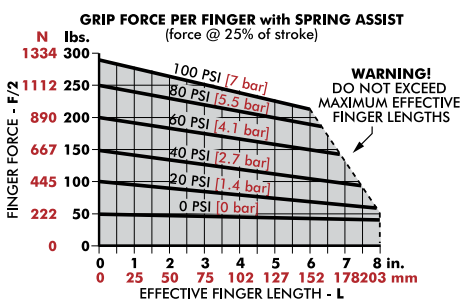
## 2-Jaw General Industrial Parallel Grippers | Dimensions and Technical Specifications



Sensor Accessories	RPS-18
Inductive Sensor Mounting Kit (mounts 2 sensors)	OSMK-072
Seal Repair Kits	RPS-18
Buna-N Seal Repair Kit	SLKT-043
Viton® Seal Repair Kit	SLKT-043V
Pneumatic Accessories	RPS-18
Fail Safe Valve (Imperial)	OFSV-002
Fail Safe Valve (Metric)	OFSV-005



### Loading Information



RPS-18	Static	Dynamic
Maximum Tensile <b>T</b>	6672 N [1500 lbs]	2224 N [500 lbs]
Maximum Compressive <b>C</b>	13345 N [3000 lbs]	2224 N [500 lbs]
Maximum Moment <b>M<sub>x</sub></b>	170 Nm [1500 in-lbs]	57 Nm [500 in-lbs]
Maximum Moment <b>M<sub>y</sub></b>	170 Nm [1500 in-lbs]	57 Nm [500 in-lbs]
Maximum Moment <b>M<sub>z</sub></b>	170 Nm [1500 in-lbs]	57 Nm [500 in-lbs]

\*Capacities are per set of jaws and are not simultaneous







GR-GEN-69

Dimensions and technical information are subject to change without notice



# PNEUMATIC HEAVY DUTY GRIPPERS

## Product Overview

Model	Stroke mm [in]	Grip Force N [lbs]	Operating Environment	Special Features	Page GR-HDP-#
 <p><b>DPW</b></p>	19.05-63.5 [0.75-2.5]	222-801 [50-180]	IP66, Harsh Environment	High Impact Loading Gripper. Long Finger Lengths. Ideal for Long or Wide Part Handling. <b>DIRECTCONNECT</b>	3
 <p><b>RPB</b></p>	101.6-203.2 [4.0-8.0]	2669 [600]	IP55 Using Purge Port & Shield Option, Harsh Environment	Gantry Systems, Heavy Payloads. Long Stroke. High Precision. Long Finger Lengths.	9
 <p><b>RPR</b></p>	150-350 [5.9-13.77]	3520 [800]	IP65, Harsh Environment	Gantry Systems, Heavy Payloads. Long Finger Lengths. Rod Lock option	13
 <p><b>RPW</b></p>	19.1-114.3 [.75-4.5]	222-2091 [50-470]	IP54, Harsh Environment	High Impact Loading Gripper. Long Finger Lengths. Ideal for Long or Wide Part Handling.	15